



eZ80190

Product Specification

PRELIMINARY

PS006613-0306



This publication is subject to replacement by a later edition. To determine whether a later edition exists, or to request copies of publications, contact:

ZiLOG Worldwide Headquarters

532 Race Street
San Jose, CA 95126
Telephone: 408.558.8500
Fax: 408.558.8300
www.zilog.com

Document Disclaimer

ZiLOG is a registered trademark of ZiLOG Inc. in the United States and in other countries. All other products and/or service names mentioned herein may be trademarks of the companies with which they are associated.

©2006 by ZiLOG, Inc. All rights reserved. Information in this publication concerning the devices, applications, or technology described is intended to suggest possible uses and may be superseded. ZiLOG, INC. DOES NOT ASSUME LIABILITY FOR OR PROVIDE A REPRESENTATION OF ACCURACY OF THE INFORMATION, DEVICES, OR TECHNOLOGY DESCRIBED IN THIS DOCUMENT. ZiLOG ALSO DOES NOT ASSUME LIABILITY FOR INTELLECTUAL PROPERTY INFRINGEMENT RELATED IN ANY MANNER TO USE OF INFORMATION, DEVICES, OR TECHNOLOGY DESCRIBED HEREIN OR OTHERWISE. Except with the express written approval ZiLOG, use of information, devices, or technology as critical components of life support systems is not authorized. No licenses or other rights are conveyed, implicitly or otherwise, by this document under any intellectual property rights.



Revision History

Each instance in Revision History of this Document reflects a change to this document from its previous revision. To see more detail, click the appropriate link in the table.

Date	Revision Level	Section	Description	Page #
March 2006	13		Added registered trademark to eZ80 and eZ80Acclaim!	All
February 2004	12	Universal Asynchronous Receiver/Transmitter	Revised BRG divisor language, UART section	65
July 2003	11	Programmable Reload Timer Registers	Correction to Timer Reload Register	34
December 2002	10		Characterization data revision, removed webserver from title/headers	All
July 2002	09	Table 112	Changes to absolute maximum ratings	178
December 2001	08	Table 113	DC Characteristics correction	179
October 2001	07	Table 113	DC Characteristics correction	179
October 2001	06	Table 115	Corrected External Read Timing table	185
August 2001	05		Corrected table numbering	All
August 2001	04		Content addition	All
May 2001	03		Content revision	All
January 2001	02		Format revision	All
September 2000	01		Original issue	All





Table of Contents

Table of Contents	iii
List of Figures	vi
List of Tables	viii
Architectural Overview	1
Features	1
Block Diagram	2
Pin Description	4
Register Map	22
eZ80 [®] CPU Core	30
eZ80 [®] CPU Core Overview	30
eZ80 [®] CPU Core Features	30
Programmable Reload Timers	31
Programmable Reload Timers Overview	31
Programmable Reload Timer Operation	32
Programmable Reload Timer Registers	34
Watch-Dog Timer	39
Watch-Dog Timer Overview	39
Watch-Dog Timer Operation	40
Watch-Dog Timer Registers	40
General-Purpose Input/Output	43
GPIO Overview	43
GPIO Operation	43
GPIO Interrupts	46
GPIO Control Registers	47
Chip Selects and Wait States	49
Memory and I/O Chip Selects	49
Memory Chip Select Operation	49
I/O Chip Select Operation	52
I/O Chip Select Precaution	52
Wait States	53
Chip Select Registers	54
Random Access Memory	57
RAM Control Registers	58
Universal ZiLOG Interface	60
Baud Rate Generator	61
UZI and BRG Control Registers	62



Universal Asynchronous Receiver/Transmitter	65
UART Functional Description	66
UART Functions	66
UART Interrupts	68
UART Recommended Usage	69
UART Registers	70
Serial Peripheral Interface	82
SPI Signals	82
SPI Functional Description	84
SPI Flags	86
SPI Registers	86
I ² C Serial I/O Interface	90
I ² C General Characteristics	90
Transferring Data	91
Clock Synchronization	93
Operating Modes	95
I ² C Registers	102
Multiply-Accumulator	111
MACC Overview	111
Multiply-Accumulator Basic Operation	112
Software Control of the MACC	113
MACC Dual Bank Operation	115
IN_SHIFT and OUT_SHIFT	118
Recommended Operation	121
MACC RAM	122
MACC RAM Address Indexing	122
Multiply-Accumulator Control And Data Registers	125
Interrupt Controller	136
Direct Memory Access Controller	139
DMA Programming	139
DMA Transfer Modes	140
DMA Channel Priorities	140
DMA Interrupts	141
DMA Control Registers	141
ZiLOG Debug Interface	146
ZDI Overview	146
ZDI Interface	147
ZDI Clock and Data Conventions	147
ZDI Start Condition	148
ZDI Register Addressing	149



ZDI Write Operations	150
ZDI Read Operations	151
Operation Of The eZ80190 Device During ZDI Breakpoints	152
ZDI Write Only Registers	153
ZDI Read Only Registers	154
ZDI Register Definitions	154
eZ80 [®] CPU Instruction Set	166
Op-Code Map	170
Crystal Oscillator	177
Electrical Characteristics	178
Absolute Maximum Ratings	178
DC Characteristics	179
AC Characteristics	184
External Memory Read Timing	184
External Memory Write Timing	186
External I/O Read Timing	187
External I/O Write Timing	188
Wait State Timing for Read Operations	190
Wait State Timing for Write Operations	191
General Purpose I/O Port Input Sample Timing	192
General Purpose I/O Port Output Timing	192
External Bus Acknowledge Timing	193
External System Clock Driver Timing	193
Packaging	194
Ordering Information	195
Part Number Description	195
Document Information	196
Document Number Description	196
Change Log	196
Index	197
Customer Support	208





List of Figures

Figure 1.	eZ80190 Block Diagram	3
Figure 2.	100-Pin LQFP Configuration of the eZ80190 Device	4
Figure 3.	Programmable Reload Timer Block Diagram	31
Figure 4.	PRT Single Pass Mode Operation Example	32
Figure 5.	PRT Continuous Mode Operation Example	33
Figure 6.	Watch-Dog Timer Block Diagram	39
Figure 7.	GPIO Port Pin Block Diagram	46
Figure 8.	Memory Chip Select Example	51
Figure 9.	Wait State Operation Example	53
Figure 10.	On-Chip RAM Memory Addressing Example	57
Figure 11.	UZI Block Diagram	60
Figure 12.	UART Block Diagram	65
Figure 13.	SPI Master—Slave Connection	82
Figure 14.	SPI Timing	84
Figure 15.	SPI Block Diagram	85
Figure 16.	I ² C Clock and Data Relationship	91
Figure 17.	START and STOP Conditions In I ² C Protocol	91
Figure 18.	I ² C Frame Structure	92
Figure 19.	I ² C Acknowledge	93
Figure 20.	Clock Synchronization In I ² C Protocol	94
Figure 21.	Multiply-Accumulator Block Diagram	112
Figure 22.	Simplified MACC Status Progression	113
Figure 23.	MACC RAM Block Diagram	124
Figure 24.	MACC RAM Address Indexing	125
Figure 25.	DMA CYCLE-STEAL Timing	140
Figure 26.	Typical ZDI Debug Setup	146
Figure 27.	Schematic For Building a Target Board ZPAKII Connector	147
Figure 28.	ZDI Write Timing	148
Figure 29.	ZDI Read Timing	148
Figure 30.	ZDI Address Write Timing	150
Figure 31.	ZDI Single-Byte Data Write Timing	150
Figure 32.	ZDI Block Data Write Timing	151
Figure 33.	ZDI Single-Byte Data Read Timing	152
Figure 34.	ZDI Block Data Read Timing	152
Figure 35.	Crystal Oscillator	177



Figure 36. I_{CC} vs. WAIT1	180
Figure 37. I_{CC} vs. WAIT2	181
Figure 38. I_{CC} vs. Frequency	182
Figure 39. I_{CC} vs. Temperature	183
Figure 40. External Memory Read Timing	185
Figure 41. External Memory Write Timing	186
Figure 42. External I/O Read Timing	187
Figure 43. External I/O Write Timing	189
Figure 44. Wait State Timing for Read Operations	190
Figure 45. Wait State Timing for Write Operations	191
Figure 46. Port Input Sample Timing	192
Figure 47. GPIO Port Output Timing	192
Figure 48. 100-Pin LQFP Package	194



List of Tables

Table 1. 100-Pin LQFP Pin Identification of the eZ80190 Device	5
Table 2. Register Map	22
Table 3. PRT Single-Pass Mode Operation Example	33
Table 4. PRT Continuous Mode Operation Example	34
Table 5. Timer Control Register	35
Table 6. Timer Data Low Byte Register	36
Table 7. Timer Data High Byte Registers	37
Table 8. Timer Reload Low Byte Registers	38
Table 9. Timer Reload High Byte Registers	38
Table 10. Watch-Dog Timer Control Register	41
Table 11. Watch-Dog Timer Reset Register	42
Table 12. GPIO Mode Selection	44
Table 13. Port x Data Registers	47
Table 14. Port x Data Direction Registers	48
Table 15. Port x Alternate Registers 1	48
Table 16. Port x Alternate Registers 2	48
Table 17. Register Values for Memory Chip Select Example	51
Table 18. Chip Select x Lower Bound Register	54
Table 19. Chip Select x Upper Bound Register	55
Table 20. Chip Select x Control Register	56
Table 21. RAM Control Register	58
Table 22. RAM Address Upper Byte Register	59
Table 23. UZI Control Registers	62
Table 24. BRG Divisor Latch Registers—Low Byte	63
Table 25. BRG Divisor Latch Registers—High Byte	64
Table 26. UART Transmit Holding Registers	71
Table 27. UART Receive Buffer Registers	71
Table 28. UART Interrupt Enable Registers	72
Table 29. UART Interrupt Identification Registers	73
Table 30. UART Interrupt Status Codes	73
Table 31. UART FIFO Control Registers	74
Table 32. UART Line Control Registers	75
Table 33. UART Character Parameter Definition	76
Table 34. UART Modem Control Registers	77
Table 35. UART Line Status Registers	78



Table 36. UART Line Status Registers	80
Table 37. UART Line Control Registers	81
Table 38. SPI Clock Phase and Clock Polarity Operation	84
Table 39. SPI Control Register	87
Table 40. SPI Status Register	88
Table 41. SPI Transmit Shift Register	89
Table 42. SPI Receive Buffer Register	89
Table 43. I ² C Master Transmit Status Codes	96
Table 44. I ² C 10-Bit Master Transmit Status Codes	97
Table 45. I ² C Master Transmit Status Codes For Data Bytes	97
Table 46. I ² C Master Receive Status Codes	98
Table 47. I ² C Master Receive Status Codes For Data Bytes	100
Table 48. I ² C Register Descriptions	102
Table 49. I ² C Slave Address Registers	103
Table 50. I ² C Data Registers	104
Table 51. I ² C Extended Slave Address Registers	104
Table 52. I ² C Control Registers	106
Table 53. I ² C Status Registers	107
Table 54. I ² C Status Codes	107
Table 55. I ² C Clock Control Registers	109
Table 56. I ² C Software Reset Register	110
Table 57. MACC DATA Bank Status Codes	115
Table 58. MACC CALC Bank Status Codes	116
Table 59. State Progression of the MACC During Operation	116
Table 60. MACC x DATA Starting Address Register	126
Table 61. MACC x DATA Ending Address Register	126
Table 62. MACC x DATA Reload Address Register	127
Table 63. MACC Length Register	127
Table 64. MACC y DATA Starting Address Register	128
Table 65. MACC y DATA Ending Address Register	128
Table 66. MACC y DATA Reload Address Register	129
Table 67. MACC Control Register	129
Table 68. MACC Accumulator Byte 0 Register	132
Table 69. MACC Accumulator Byte 1 Register	132
Table 70. MACC Accumulator Byte 2 Register	133
Table 71. MACC Accumulator Byte 3 Register	133
Table 72. MACC Accumulator Byte 4 Register	134
Table 73. MACC Status Register	135



Table 74. Interrupt Vector Sources by Priority	136
Table 75. Vectored Interrupt Operation	137
Table 76. DMA Registers	141
Table 77. DMA Source Address Registers.	142
Table 78. DMA Destination Address Registers	143
Table 79. DMA Byte Count Registers	144
Table 80. DMA Control Registers.	144
Table 81. ZDI Write Only Registers	153
Table 82. ZDI Read Only Registers	154
Table 83. ZDI Address Match Registers	155
Table 84. ZDI Break Control Register	156
Table 85. ZDI Write Data Registers	158
Table 86. ZDI Read/Write Control Register Functions.	159
Table 87. Instruction Store 4:0 Registers.	161
Table 88. eZ80 [®] Product ID Low Byte Register.	162
Table 89. ZDI Write Memory Register	162
Table 90. eZ80 [®] Product ID High Byte Register	163
Table 91. eZ80 [®] Product ID Revision Register	163
Table 92. ZDI Status Register	164
Table 93. ZDI Read Registers—Low, High and Upper	165
Table 94. ZDI Read Memory Data Value Register.	165
Table 95. Arithmetic Instructions	166
Table 96. Bit Manipulation Instructions	166
Table 97. Block Transfer and Compare Instructions	166
Table 98. Exchange Instructions	167
Table 99. Input/Output Instructions	167
Table 100. Load Instructions	167
Table 101. Logical Instructions.	168
Table 102. Processor Control Instructions	168
Table 103. Program Control Instructions	168
Table 104. Rotate and Shift Instructions	169
Table 105. Op Code Map—First Op Code.	170
Table 106. Op Code Map—Second Op Code after 0CBh	171
Table 107. Op Code Map—Second Op Code After 0DDh.	172
Table 108. Op Code Map—Second Op Code After 0EDh	173
Table 109. Op Code Map—Second Op Code After 0FDh	174
Table 110. Op Code Map—Fourth Byte After 0DDh, 0CBh, and dd	175
Table 111. Op Code Map—Fourth Byte After 0FDh, 0CBh, and dd	176



Table 112. Absolute Maximum Ratings	178
Table 113. DC Characteristics	179
Table 114. AC Characteristics	184
Table 115. External Read Timing	185
Table 116. External Write Timing	186
Table 117. External I/O Read Timing	188
Table 118. External I/O Write Timing	189
Table 119. Bus Acknowledge Timing	193
Table 120. PHI System Clock Timing	193
Table 121. GPIO Port Output Timing	193
Table 122. Ordering Information	195

Architectural Overview

The eZ80190 microprocessor is a high-speed single-cycle instruction-fetch microprocessor with a clock speed of up to 50MHz. It is the first of a new set of products based upon the eZ80[®] CPU.

The eZ80[®] CPU is one of the fastest 8-bit CPUs available today, executing code up to four times faster with zero wait-state memory than a standard Z80 operating at the same frequency. This increased processing efficiency can be used to improve available bandwidth or to decrease power consumption.

Considering both the high clock speed and instruction pipeline efficiency, the eZ80[®] CPU's processing power rivals the performance of 16-bit microprocessors.

Features

- Single-cycle instruction fetch, high-performance eZ80[®] CPU core¹
- 16x16-bit Multiply and 40-bit Accumulate with 1 KB dual-port SRAM
- Four Chip Selects with individual Wait State generators
- Six Counter/Timers with prescalers
- Watch-Dog Timer
- 2-channel DMA controller
- 8KB high-speed data SRAM
- 2 Universal ZiLOG Interface (UZI) channels (I²C, SPI, UART) with built-in Baud Rate Generator
- Fixed-priority vectored interrupts (32 external, 11 internal)
- 32 bits of General-Purpose I/O
- On-chip oscillator
- 3.0V–3.6V supply voltage with 5V tolerant inputs
- 100-pin LQFP package
- Up to 50 MHz clock speed
- Operating Temperature:
 - Standard Temperature Range: 0°C to +70°C
 - Extended Temperature Range: –40°C to +105°C
- ZiLOG Debug Interface (ZDI)

1. For simplicity, the term eZ80[®] CPU is referred to as CPU for the bulk of this document.

- **Note:** All signals with an overline are active Low. For example, B/\overline{W} , for which WORD is active Low, and \overline{B}/W , for which BYTE is active Low.

Power connections follow these conventional descriptions:

Connection	Circuit	Device
Power	V_{CC}	V_{DD}
Ground	GND	V_{SS}

Block Diagram

[Figure 1](#) illustrates a block diagram of the eZ80190 processor.

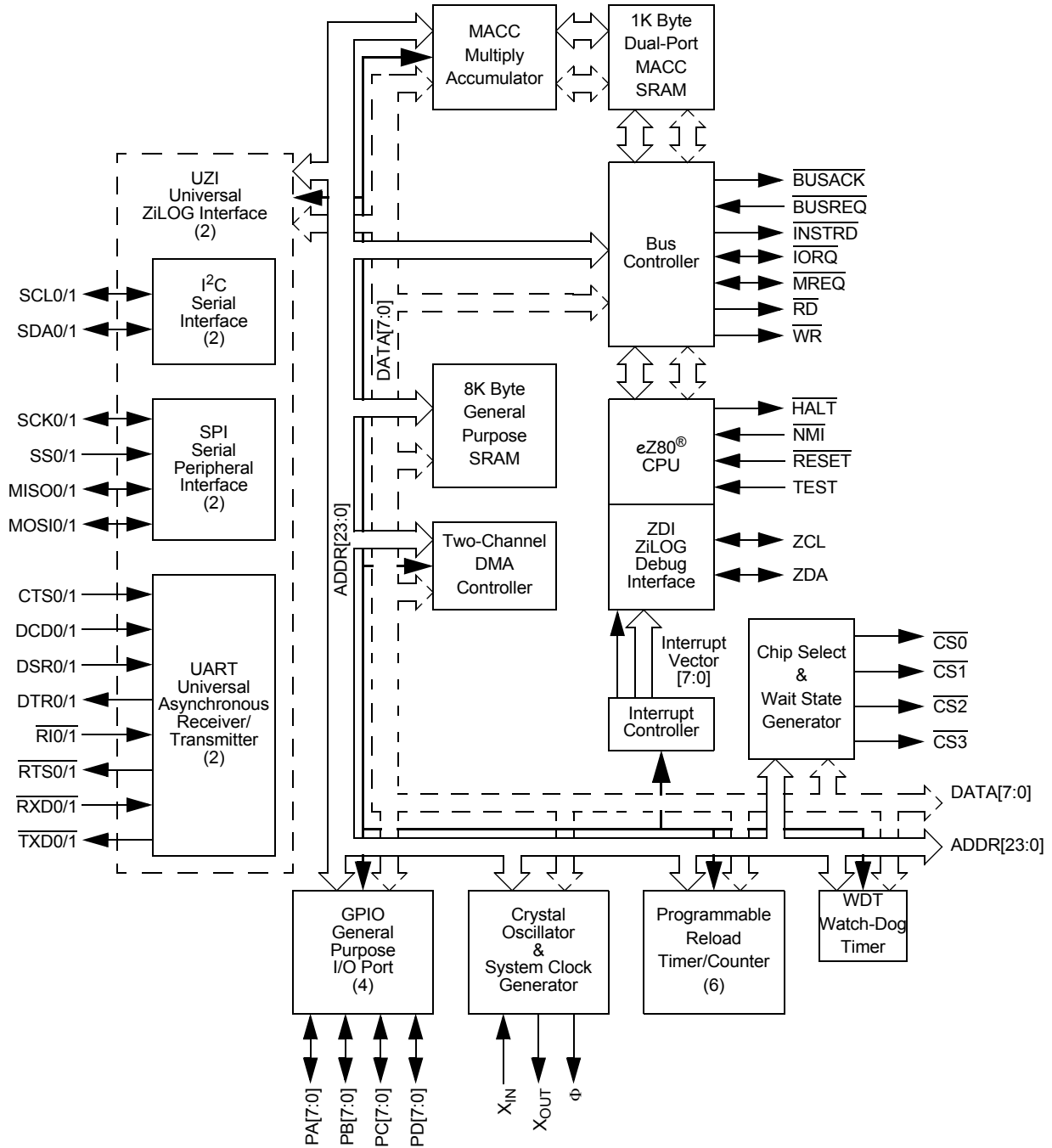


Figure 1. eZ80190 Block Diagram

Pin Description

Figure 2 illustrates the pin layout of the eZ80190 device in the 100-pin LQFP package. Table 1 describes the pins and their functions.

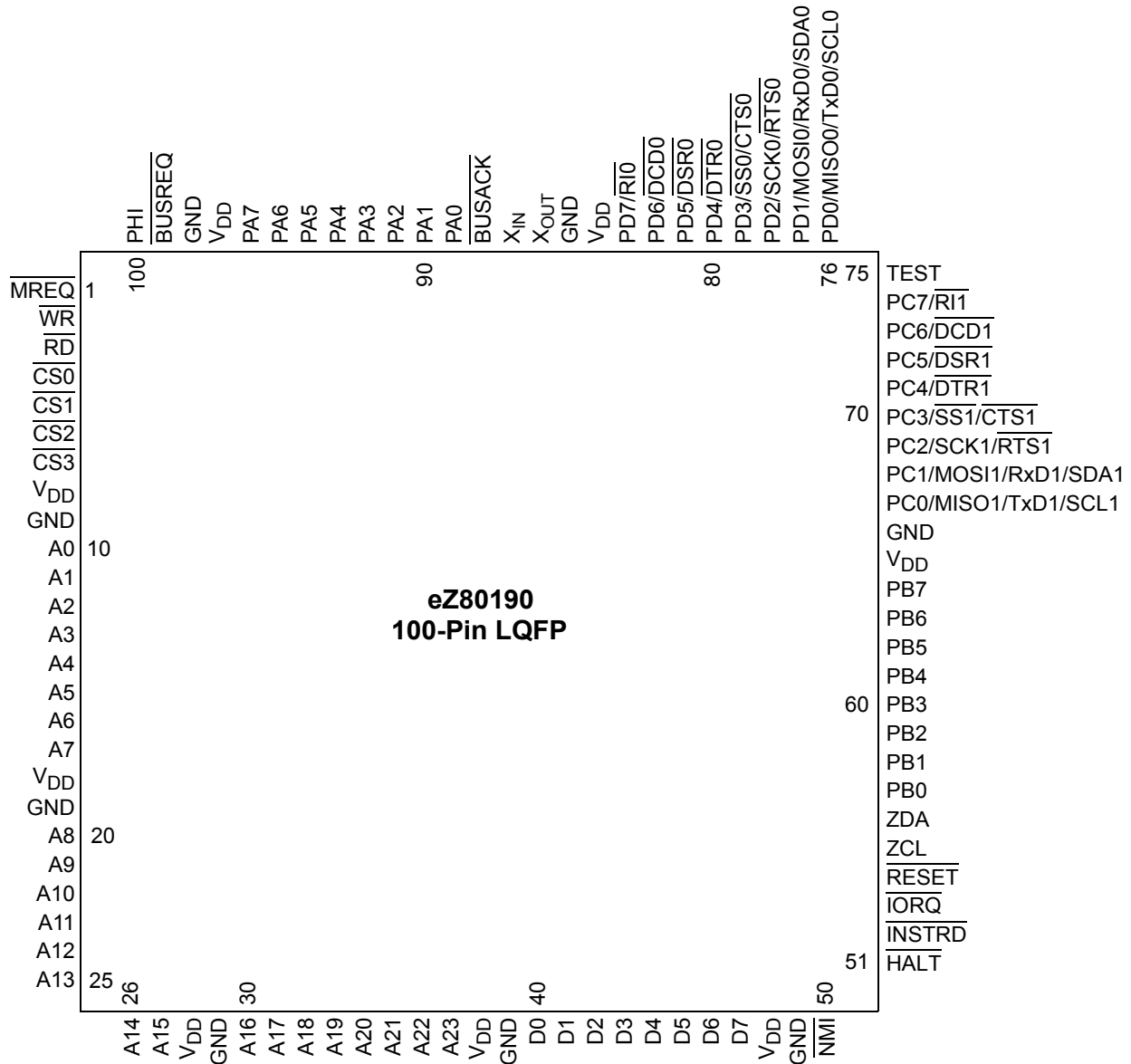


Figure 2. 100-Pin LQFP Configuration of the eZ80190 Device

Table 1. 100-Pin LQFP Pin Identification of the eZ80190 Device

Pin #	Symbol	Function	Signal Direction	Description
1	$\overline{\text{MREQ}}$	Memory Request	Input/Output, Active Low	$\overline{\text{MREQ}}$ indicates the CPU is accessing a location in memory. The $\overline{\text{RD}}$, $\overline{\text{WR}}$, and $\overline{\text{INSTRD}}$ signals indicate the type of access. The eZ80190 device does not drive this line during Reset. It is an input in bus acknowledge cycles.
2	$\overline{\text{WR}}$	Write	Output, Active Low	$\overline{\text{WR}}$ indicates the CPU is writing to the current address location. The device accessed is determined by the $\overline{\text{IORQ}}$ and $\overline{\text{MREQ}}$ pins. The $\overline{\text{WR}}$ pin is tristated during bus acknowledge cycles.
3	$\overline{\text{RD}}$	Read	Output, Active Low	$\overline{\text{RD}}$ indicates the eZ80190 device is reading from the current address location. This pin is tristated during bus acknowledge cycles.
4	$\overline{\text{CS0}}$	Chip Select 0	Output, Active Low	$\overline{\text{CS0}}$ indicates access in the defined $\overline{\text{CS0}}$ memory or I/O address space. This signal is still driven during bus acknowledge cycles and is generated from the address and control provided on the external pins.
5	$\overline{\text{CS1}}$	Chip Select 1	Output, Active Low	$\overline{\text{CS1}}$ indicates access in the defined $\overline{\text{CS1}}$ memory or I/O address space. This signal is still driven during bus acknowledge cycles and is generated from the address and control provided on the external pins.
6	$\overline{\text{CS2}}$	Chip Select 2	Output, Active Low	$\overline{\text{CS2}}$ indicates access in the defined $\overline{\text{CS2}}$ memory or I/O address space. This signal is still driven during bus acknowledge cycles and is generated from the address and control provided on the external pins.
7	$\overline{\text{CS3}}$	Chip Select 3	Output, Active Low	$\overline{\text{CS3}}$ indicates access in the defined $\overline{\text{CS3}}$ memory or I/O address space. This signal is still driven during bus acknowledge cycles and is generated from the address and control provided on the external pins.
8	V_{DD}	Power Supply		Power Supply
9	GND	Ground		Ground



Table 1. 100-Pin LQFP Pin Identification of the eZ80190 Device (Continued)

Pin #	Symbol	Function	Signal Direction	Description
10	ADDR0	Address Bus	Input/Output	The ADDR0 is configured as an output in normal operation. The address bus selects a location in memory or I/O space to be read or written. This pin is configured as an input during bus acknowledge cycles. Drives the Chip Select/Wait State Generator block to generate Chip Selects.
11	ADDR1	Address Bus	Input/Output	The ADDR1 pin is configured as an output in normal operation. The address bus selects a location in memory or I/O space to be read or written. This pin is configured as an input during bus acknowledge cycles. Drives the Chip Select/Wait State Generator block to generate Chip Selects.
12	ADDR2	Address Bus	Input/Output	The ADDR2 pin is configured as an output in normal operation. The address bus selects a location in memory or I/O space to be read or written. This pin is configured as an input during bus acknowledge cycles. Drives the Chip Select/Wait State Generator block to generate Chip Selects.
13	ADDR3	Address Bus	Input/Output	The ADDR3 pin is configured as an output in normal operation. The address bus selects a location in memory or I/O space to be read or written. This pin is configured as an input during bus acknowledge cycles. Drives the Chip Select/Wait State Generator block to generate Chip Selects.
14	ADDR4	Address Bus	Input/Output	The ADDR4 pin is configured as an output in normal operation. The address bus selects a location in memory or I/O space to be read or written. This pin is configured as an input during bus acknowledge cycles. Drives the Chip Select/Wait State Generator block to generate Chip Selects.
15	ADDR5	Address Bus	Input/Output	The ADDR5 pin is configured as an output in normal operation. The address bus selects a location in memory or I/O space to be read or written. This pin is configured as an input during bus acknowledge cycles. Drives the Chip Select/Wait State Generator block to generate Chip Selects.

Table 1. 100-Pin LQFP Pin Identification of the eZ80190 Device (Continued)

Pin #	Symbol	Function	Signal Direction	Description
16	ADDR6	Address Bus	Input/Output	The ADDR6 pin is configured as an output in normal operation. The address bus selects a location in memory or I/O space to be read or written. This pin is configured as an input during bus acknowledge cycles. Drives the Chip Select/ Wait State Generator block to generate Chip Selects.
17	ADDR7	Address Bus	Input/Output	The ADDR7 pin is configured as an output in normal operation. The address bus selects a location in memory or I/O space to be read or written. This pin is configured as an input during bus acknowledge cycles. Drives the Chip Select/ Wait State Generator block to generate Chip Selects.
18	V _{DD}	Power Supply		Power Supply
19	GND	Ground		Ground
20	ADDR8	Address Bus	Input/Output	The ADDR8 pin is configured as an output in normal operation. The address bus selects a location in memory or I/O space to be read or written. This pin is configured as an input during bus acknowledge cycles. Drives the Chip Select/ Wait State Generator block to generate Chip Selects.
21	ADDR9	Address Bus	Input/Output	The ADDR9 pin is configured as an output in normal operation. The address bus selects a location in memory or I/O space to be read or written. This pin is configured as an input during bus acknowledge cycles. Drives the Chip Select/ Wait State Generator block to generate Chip Selects.
22	ADDR10	Address Bus	Input/Output	The ADDR10 pin is configured as an output in normal operation. The address bus selects a location in memory or I/O space to be read or written. This pin is configured as an input during bus acknowledge cycles. Drives the Chip Select/ Wait State Generator block to generate Chip Selects.



Table 1. 100-Pin LQFP Pin Identification of the eZ80190 Device (Continued)

Pin #	Symbol	Function	Signal Direction	Description
23	ADDR11	Address Bus	Input/Output	The ADDR11 pin is configured as an output in normal operation. The address bus selects a location in memory or I/O space to be read or written. This pin is configured as an input during bus acknowledge cycles. Drives the Chip Select/Wait State Generator block to generate Chip Selects.
24	ADDR12	Address Bus	Input/Output	The ADDR12 pin is configured as an output in normal operation. The address bus selects a location in memory or I/O space to be read or written. This pin is configured as an input during bus acknowledge cycles. Drives the Chip Select/Wait State Generator block to generate Chip Selects.
25	ADDR13	Address Bus	Input/Output	The ADDR13 pin is configured as an output in normal operation. The address bus selects a location in memory or I/O space to be read or written. This pin is configured as an input during bus acknowledge cycles. Drives the Chip Select/Wait State Generator block to generate Chip Selects.
26	ADDR14	Address Bus	Input/Output	The ADDR14 pin is configured as an output in normal operation. The address bus selects a location in memory or I/O space to be read or written. This pin is configured as an input during bus acknowledge cycles. Drives the Chip Select/Wait State Generator block to generate Chip Selects.
27	ADDR15	Address Bus	Input/Output	The ADDR15 pin is configured as an output in normal operation. The address bus selects a location in memory or I/O space to be read or written. This pin is configured as an input during bus acknowledge cycles. Drives the Chip Select/Wait State Generator block to generate Chip Selects.
28	V _{DD}	Power Supply		Power Supply
29	GND	Ground		Ground



Table 1. 100-Pin LQFP Pin Identification of the eZ80190 Device (Continued)

Pin #	Symbol	Function	Signal Direction	Description
30	ADDR16	Address Bus	Input/Output	The ADDR16 pin is configured as an output in normal operation. The address bus selects a location in memory or I/O space to be read or written. This pin is configured as an input during bus acknowledge cycles. Drives the Chip Select/Wait State Generator block to generate Chip Selects.
31	ADDR17	Address Bus	Input/Output	The ADDR17 pin is configured as an output in normal operation. The address bus selects a location in memory or I/O space to be read or written. This pin is configured as an input during bus acknowledge cycles. Drives the Chip Select/Wait State Generator block to generate Chip Selects.
32	ADDR18	Address Bus	Input/Output	The ADDR18 pin is configured as an output in normal operation. The address bus selects a location in memory or I/O space to be read or written. This pin is configured as an input during bus acknowledge cycles. Drives the Chip Select/Wait State Generator block to generate Chip Selects.
33	ADDR19	Address Bus	Input/Output	The ADDR19 pin is configured as an output in normal operation. The address bus selects a location in memory or I/O space to be read or written. This pin is configured as an input during bus acknowledge cycles. Drives the Chip Select/Wait State Generator block to generate Chip Selects.
34	ADDR20	Address Bus	Input/Output	The ADDR20 pin is configured as an output in normal operation. The address bus selects a location in memory or I/O space to be read or written. This pin is configured as an input during bus acknowledge cycles. Drives the Chip Select/Wait State Generator block to generate Chip Selects.
35	ADDR21	Address Bus	Input/Output	The ADDR21 pin is configured as an output in normal operation. The address bus selects a location in memory or I/O space to be read or written. This pin is configured as an input during bus acknowledge cycles. Drives the Chip Select/Wait State Generator block to generate Chip Selects.

Table 1. 100-Pin LQFP Pin Identification of the eZ80190 Device (Continued)

Pin #	Symbol	Function	Signal Direction	Description
36	ADDR22	Address Bus	Input/Output	The ADDR22 pin is configured as an output in normal operation. The address bus selects a location in memory or I/O space to be read or written. This pin is configured as an input during bus acknowledge cycles. Drives the Chip Select/ Wait State Generator block to generate Chip Selects.
37	ADDR23	Address Bus	Input/Output	The ADDR23 pin is configured as an output in normal operation. The address bus selects a location in memory or I/O space to be read or written. This pin is configured as an input during bus acknowledge cycles. Drives the Chip Select/ Wait State Generator block to generate Chip Selects.
38	V _{DD}	Power Supply		Power Supply
39	GND	Ground		Ground
40	DATA0	Data Bus	Bidirectional, tristate	The data bus transfers data to and from I/O and memory devices. The eZ80190 device drives these lines only during write cycles when the eZ80190 device is the bus master. The data bus is configured as an output in normal operation and as an input during bus acknowledge cycles.
41	DATA1	Data Bus	Bidirectional, tristate	The data bus transfers data to and from I/O and memory devices. The eZ80190 device drives these lines only during write cycles when the eZ80190 device is the bus master. The data bus is configured as an output in normal operation and as an input during bus acknowledge cycles.
42	DATA2	Data Bus	Bidirectional, tristate	The data bus transfers data to and from I/O and memory devices. The eZ80190 device drives these lines only during write cycles when the eZ80190 device is the bus master. The data bus is configured as an output in normal operation and as an input during bus acknowledge cycles.
43	DATA3	Data Bus	Bidirectional, tristate	The data bus transfers data to and from I/O and memory devices. The eZ80190 device drives these lines only during write cycles when the eZ80190 device is the bus master. The data bus is configured as an output in normal operation and as an input during bus acknowledge cycles.

Table 1. 100-Pin LQFP Pin Identification of the eZ80190 Device (Continued)

Pin #	Symbol	Function	Signal Direction	Description
44	DATA4	Data Bus	Bidirectional, tristate	The data bus transfers data to and from I/O and memory devices. The eZ80190 device drives these lines only during write cycles when the eZ80190 device is the bus master. The data bus is configured as an output in normal operation and as an input during bus acknowledge cycles.
45	DATA5	Data Bus	Bidirectional, tristate	The data bus transfers data to and from I/O and memory devices. The eZ80190 device drives these lines only during write cycles when the eZ80190 device is the bus master. The data bus is configured as an output in normal operation and as an input during bus acknowledge cycles.
46	DATA6	Data Bus	Bidirectional, tristate	The data bus transfers data to and from I/O and memory devices. The eZ80190 device drives these lines only during write cycles when the eZ80190 device is the bus master. The data bus is configured as an output in normal operation and as an input during bus acknowledge cycles.
47	DATA7	Data Bus	Bidirectional, tristate	The data bus transfers data to and from I/O and memory devices. The eZ80190 device drives these lines only during write cycles when the eZ80190 device is the bus master. The data bus is configured as an output in normal operation and as an input during bus acknowledge cycles.
48	V _{DD}	Power Supply		Power Supply
49	GND	Ground		Ground
50	$\overline{\text{NMI}}$	Nonmaskable Interrupt	Schmitt Trigger Input, Active Low	The $\overline{\text{NMI}}$ input is prioritized higher than the maskable interrupts. It is always recognized at the end of an instruction, regardless of the state of the interrupt enable control bits. This input includes a Schmitt trigger to allow RC rise times. This external $\overline{\text{NMI}}$ signal is combined with an internal $\overline{\text{NMI}}$ signal generated from the WDT block before being connected to the $\overline{\text{NMI}}$ input of the CPU.
51	$\overline{\text{HALT}}$	Halt	Output, Active Low	A Low on this pin indicates the CPU has stopped because a HALT instruction is executed.



Table 1. 100-Pin LQFP Pin Identification of the eZ80190 Device (Continued)

Pin #	Symbol	Function	Signal Direction	Description
52	$\overline{\text{INSTRD}}$	Instruction READ	Output, Active Low, tristate	$\overline{\text{INSTRD}}$ (with $\overline{\text{MREQ}}$ and $\overline{\text{RD}}$) indicates the eZ80190 device is fetching an instruction from code memory. The eZ80190 device does not drive this line during Reset or bus acknowledge cycles.
53	$\overline{\text{IORQ}}$	Input/Output Request	Input/Output, Active Low	$\overline{\text{IORQ}}$ indicates the CPU is accessing a location in I/O space. $\overline{\text{RD}}$ and $\overline{\text{WR}}$ indicate the type of access. The eZ80190 device does not drive this line during Reset and is an input in bus acknowledge cycles.
54	$\overline{\text{RESET}}$	Reset	Schmitt Trigger Input, Active Low	This signal is used to initialize the eZ80190 device. This input must be Low for a minimum of 3 system clock cycles, and must be held Low until the clock is stable. This input includes a Schmitt trigger to allow RC rise times.
55	ZCL	ZDI Clock	Input with Pull-up	The ZCL pin is used to clock the data between the ZiLOG Debug Interface and the eZ80190 device. This pin features an internal pull-up.
56	ZDA	ZDI Data	Input/Output, Open-Drain with Pull-up	The ZDA pin is used to transfer data between the ZiLOG Debug Interface and the eZ80190 device. This pin is open-drain and features an internal pull-up.
57	PB0	GPIO Port B	Input/Output	The PB0 pin can be used for general-purpose I/O. It can be individually programmed as an input or output and can also be used individually as an interrupt input. Each Port B pin, when programmed as an output, can be selected to be an open-drain or open-source output.
58	PB1	GPIO Port B	Input/Output	The PB1 pin can be used for general-purpose I/O. It can be individually programmed as an input or output and can also be used individually as an interrupt input. Each Port B pin, when programmed as an output, can be selected to be an open-drain or open-source output.
59	PB2	GPIO Port B	Input/Output	The PB2 pin can be used for general-purpose I/O. It can be individually programmed as an input or output and can also be used individually as an interrupt input. Each Port B pin, when programmed as an output, can be selected to be an open-drain or open-source output.



Table 1. 100-Pin LQFP Pin Identification of the eZ80190 Device (Continued)

Pin #	Symbol	Function	Signal Direction	Description
60	PB3	GPIO Port B	Input/Output	The PB3 pin can be used for general-purpose I/O. It can be individually programmed as an input or output and can also be used individually as an interrupt input. Each Port B pin, when programmed as an output, can be selected to be an open-drain or open-source output.
61	PB4	GPIO Port B	Input/Output	The PB4 pin can be used for general-purpose I/O. It can be individually programmed as an input or output and can also be used individually as an interrupt input. Each Port B pin, when programmed as an output, can be selected to be an open-drain or open-source output.
62	PB5	GPIO Port B	Input/Output	The PB5 pin can be used for general-purpose I/O. It can be individually programmed as an input or output and can also be used individually as an interrupt input. Each Port B pin, when programmed as an output, can be selected to be an open-drain or open-source output.
63	PB6	GPIO Port B	Input/Output	The PB6 pin can be used for general-purpose I/O. It can be individually programmed as an input or output and can also be used individually as an interrupt input. Each Port B pin, when programmed as an output, can be selected to be an open-drain or open-source output.
64	PB7	GPIO Port B	Input/Output	The PB7 pin can be used for general-purpose I/O. It can be individually programmed as an input or output and can also be used individually as an interrupt input. Each Port B pin, when programmed as an output, can be selected to be an open-drain or open-source output.
65	V _{DD}	Power Supply		Power Supply
66	GND	Ground		Ground



Table 1. 100-Pin LQFP Pin Identification of the eZ80190 Device (Continued)

Pin #	Symbol	Function	Signal Direction	Description
67	PC0	GPIO Port C	Input/Output	The PC0 pin can be used for general-purpose I/O. It can be individually programmed as an input or output and can also be used individually as an interrupt input. Each Port C pin, when programmed as an output, can be selected to be an open-drain or open-source output. Port C is multiplexed with one channel of the UZI interface.
	MISO1	Master In Slave Out	Input/Output	The MISO line is configured as an input when the eZ80190 device is an SPI master device and as an output when eZ80190 device is an SPI slave device. This signal is multiplexed with PC0.
	SCL1	I ² C Serial Clock	Input/Output	The SCL1 pin is used to receive and transmit the I ² C clock. This signal is multiplexed with PC0.
	TxD1	Transmit Data	Output	The TxD1 pin is used by the UART to transmit asynchronous serial data. This signal is multiplexed with PC0.
68	PC1	GPIO Port C	Input/Output	The PC1 pin can be used for general-purpose I/O. It can be individually programmed as an input or output and can also be used individually as an interrupt input. Each Port C pin, when programmed as an output, can be selected to be an open-drain or open-source output. Port C is multiplexed with one channel of the UZI interface.
	MOSI1	Master Out Slave In	Input/Output	The MOSI line is configured as an output when the eZ80190 device is an SPI master device and as an input when the eZ80190 device is an SPI slave device. This signal is multiplexed with PC1.
	RxD1	Receive Data	Input	The RxD1 pin is used by the UART to receive asynchronous serial data. This signal is multiplexed with PC1.
	SDA1	I ² C Serial Data	Input/Output	The SDA1 pin carries the I ² C data signal. This signal is multiplexed with PC1.

Table 1. 100-Pin LQFP Pin Identification of the eZ80190 Device (Continued)

Pin #	Symbol	Function	Signal Direction	Description
69	PC2	GPIO Port C	Input/Output	The PC2 pin can be used for general-purpose I/O. It can be individually programmed as an input or output and can also be used individually as an interrupt input. Each Port C pin, when programmed as an output, can be selected to be an open-drain or open-source output. Port C is multiplexed with one channel of the UZI interface.
	SCK1	SPI Serial Clock	Input/Output	SPI serial clock. This signal is multiplexed with PC2.
	$\overline{\text{RTS1}}$	Request to Send	Output, Active Low	The $\overline{\text{RTS1}}$ pin carries the modem-control signal from the UART. This signal is multiplexed with PC2.
70	PC3	GPIO Port C	Input/Output	The PC3 pin can be used for general-purpose I/O. It can be individually programmed as an input or output and can also be used individually as an interrupt input. Each Port C pin, when programmed as an output, can be selected to be an open-drain or open-source output. Port C is multiplexed with one channel of the UZI interface.
	$\overline{\text{SS1}}$	Slave Select	Input, Active Low	The slave select input line is used to select a slave device in SPI mode. This signal is multiplexed with PC3.
	$\overline{\text{CTS1}}$	Clear to Send	Input, Active Low	The $\overline{\text{CTS1}}$ pin carries the modem status signal to the UART. This signal is multiplexed with PC3.
71	PC4	GPIO Port C	Input/Output	The PC4 pin can be used for general-purpose I/O. It can be individually programmed as an input or output and can also be used individually as an interrupt input. Each Port C pin, when programmed as an output, can be selected to be an open-drain or open-source output. Port C is multiplexed with one channel of the UZI interface.
	$\overline{\text{DTR1}}$	Data Terminal Ready	Output, Active Low	The $\overline{\text{DTR1}}$ pin carries the modem-control signal to the UART. This signal is multiplexed with PC4.

Table 1. 100-Pin LQFP Pin Identification of the eZ80190 Device (Continued)

Pin #	Symbol	Function	Signal Direction	Description
72	PC5	GPIO Port C	Input/Output	The PC5 pin can be used for general-purpose I/O. It can be individually programmed as an input or output and can also be used individually as an interrupt input. Each Port C pin, when programmed as an output, can be selected to be an open-drain or open-source output. Port C is multiplexed with one channel of the UZI interface.
	$\overline{\text{DSR1}}$	Data Set Ready	Input, Active Low	The $\overline{\text{DSR1}}$ pin carries the modem status signal to the UART. This signal is multiplexed with PC5.
73	PC6	GPIO Port C	Input/Output	The PC6 pin can be used for general-purpose I/O. It can be individually programmed as an input or output and can also be used individually as an interrupt input. Each Port C pin, when programmed as an output, can be selected to be an open-drain or open-source output. Port C is multiplexed with one channel of the UZI interface.
	$\overline{\text{DCD1}}$	Data Carrier Detect	Input, Active Low	The $\overline{\text{DCD1}}$ pin carries the modem status signal to the UART. This signal is multiplexed with PC6.
74	PC7	GPIO Port C	Input/Output	The PC7 pin can be used for general-purpose I/O. It can be individually programmed as an input or output and can also be used individually as an interrupt input. Each Port C pin, when programmed as an output, can be selected to be an open-drain or open-source output. Port C is multiplexed with one channel of the UZI interface.
	$\overline{\text{RI1}}$	Ring Indicator	Input, Active Low	The $\overline{\text{RI1}}$ pin carries the modem status signal to the UART. This signal is multiplexed with PC7.
75	TEST	Test	Input, Active High	The TEST pin places the chip in TEST mode. It is used only for factory testing. This signal should be tied Low for normal operation.



Table 1. 100-Pin LQFP Pin Identification of the eZ80190 Device (Continued)

Pin #	Symbol	Function	Signal Direction	Description
76	PD0	GPIO Port D	Input/Output	The PD0 pin can be used for general-purpose I/O. It can be individually programmed as an input or output and can also be used individually as an interrupt input. Each Port D pin, when programmed as an output, can be selected to be an open-drain or open-source output. Port D is multiplexed with one channel of the UZI interface.
	MISO0	Master In Slave Out	Input/Output	The MISO line is configured as an input when the eZ80190 device is an SPI master device and as an output when eZ80190 device is an SPI slave device. This signal is multiplexed with PD0.
	SCL0	I ² C Serial Clock	Input/Output	This pin is used to receive and transmit the I ² C clock. This signal is multiplexed with PD0.
	TxD0	Transmit Data	Output	The TxD0 pin is used by the UART to transmit asynchronous serial data. This signal is multiplexed with PD0.
77	PD1	GPIO Port D	Input/Output	The PD1 pin can be used for general-purpose I/O. It can be individually programmed as an input or output and can also be used individually as an interrupt input. Each Port D pin, when programmed as an output, can be selected to be an open-drain or open-source output. Port D is multiplexed with one channel of the UZI interface.
	MOSI0	Master Out Slave In	Input/Output	The MOSI line is configured as an output when the eZ80190 device is an SPI master device and as an input when the eZ80190 device is an SPI slave device. This signal is multiplexed with PD1.
	RxD0	Receive Data	Input	The RxD0 pin is used by the UART to receive asynchronous serial data. This signal is multiplexed with PD1.
	SDA0	I ² C Serial Data	Input/Output	The SDA0 pin carries the I ² C data signal. This signal is multiplexed with PD1.



Table 1. 100-Pin LQFP Pin Identification of the eZ80190 Device (Continued)

Pin #	Symbol	Function	Signal Direction	Description
78	PD2	GPIO Port D	Input/Output	The PD2 pin can be used for general-purpose I/O. It can be individually programmed as an input or output and can also be used individually as an interrupt input. Each Port D pin, when programmed as an output, can be selected to be an open-drain or open-source output. Port D is multiplexed with one channel of the UZI interface.
	SCK0	SPI Serial Clock	Input/Output	The SPI serial clock signal is multiplexed with PD2.
	$\overline{\text{RTS0}}$	Request to Send	Output, Active Low	The $\overline{\text{RTS0}}$ pin carries the modem-control signal from the UART. This signal is multiplexed with PD2.
79	PD3	GPIO Port D	Input/Output	The PD3 pin can be used for general-purpose I/O. It can be individually programmed as an input or output and can also be used individually as an interrupt input. Each Port D pin, when programmed as an output, can be selected to be an open-drain or open-source output. Port D is multiplexed with one channel of the UZI interface.
	$\overline{\text{SS0}}$	Slave Select	Input, Active Low	The slave select input line is used to select a slave device in SPI mode. This signal is multiplexed with PD3.
	$\overline{\text{CTS0}}$	Clear to Send	Input, Active Low	The $\overline{\text{CTS0}}$ pin carries the modem status signal to the UART. This signal is multiplexed with PD3.
80	PD4	GPIO Port D	Input/Output	The PD4 pin can be used for general-purpose I/O. It can be individually programmed as an input or output and can also be used individually as an interrupt input. Each Port D pin, when programmed as an output, can be selected to be an open-drain or open-source output. Port D is multiplexed with one channel of the UZI interface.
	$\overline{\text{DTR0}}$	Data Terminal Ready	Output, Active Low	The $\overline{\text{DTR0}}$ pin carries the modem control signal to the UART. This signal is multiplexed with PD4.

Table 1. 100-Pin LQFP Pin Identification of the eZ80190 Device (Continued)

Pin #	Symbol	Function	Signal Direction	Description
81	PD5	GPIO Port D	Input/Output	The PD5 pin can be used for general-purpose I/O. It can be individually programmed as an input or output and can also be used individually as an interrupt input. Each Port D pin, when programmed as an output, can be selected to be an open-drain or open-source output. Port D is multiplexed with one channel of the UZI interface.
	$\overline{\text{DSR0}}$	Data Set Ready	Input, Active Low	The $\overline{\text{DSR0}}$ pin carries the modem status signal to the UART. This signal is multiplexed with PC5 and PD5.
82	PD6	GPIO Port D	Input/Output	The PD6 pin can be used for general-purpose I/O. It can be individually programmed as an input or output and can also be used individually as an interrupt input. Each Port D pin, when programmed as an output, can be selected to be an open-drain or open-source output. Port D is multiplexed with one channel of the UZI interface.
	$\overline{\text{DCD0}}$	Data Carrier Detect	Input, Active Low	The $\overline{\text{DCD0}}$ pin carries the modem status signal to the UART. This signal is multiplexed with PC6 and PD6.
83	PD7	GPIO Port D	Input/Output	The PD7 pin can be used for general-purpose I/O. It can be individually programmed as an input or output and can also be used individually as an interrupt input. Each Port D pin, when programmed as an output, can be selected to be an open-drain or open-source output. Port D is multiplexed with one channel of the UZI interface.
	$\overline{\text{RI0}}$	Ring Indicator	Input, Active Low	The $\overline{\text{RI0}}$ pin carries the modem status signal to the UART. This signal is multiplexed with PC7 and PD7.
84	V _{DD}	Power Supply		Power Supply
85	GND	Ground		Ground
86	X _{OUT}	Oscillator Output	Output	The X _{OUT} pin is the output of the onboard crystal oscillator. When used, a crystal oscillator should be connected between X _{IN} and X _{OUT} .
87	X _{IN}	Oscillator Input	Input	The X _{IN} pin is the input to the onboard crystal oscillator. If an external oscillator is used, its clock output should be connected to this pin. When a crystal oscillator is used, it should be connected between X _{IN} and X _{OUT} .



Table 1. 100-Pin LQFP Pin Identification of the eZ80190 Device (Continued)

Pin #	Symbol	Function	Signal Direction	Description
88	$\overline{\text{BUSACK}}$	Bus Acknowledge	Output, Active Low	The eZ80190 device responds to a Low on the $\overline{\text{BUSREQ}}$, by tristating the address, data, and control signals, and by driving the $\overline{\text{BUSACK}}$ line Low. During bus acknowledge cycles A23:0, $\overline{\text{IORQ}}$, and $\overline{\text{MREQ}}$ are inputs.
89	PA0	GPIO Port A	Input/Output	The PA0 pin can be used for general-purpose I/O. It can be individually programmed as an input or an output and can also be used individually as an interrupt input. Each Port A pin, when programmed as an output, can be selected to be an open-drain or open-source output.
90	PA1	GPIO Port A	Input/Output	The PA1 pin can be used for general-purpose I/O. It can be individually programmed as an input or an output and can also be used individually as an interrupt input. Each Port A pin, when programmed as an output, can be selected to be an open-drain or open-source output.
91	PA2	GPIO Port A	Input/Output	The PA2 pin can be used for general-purpose I/O. It can be individually programmed as an input or an output and can also be used individually as an interrupt input. Each Port A pin, when programmed as an output, can be selected to be an open-drain or open-source output.
92	PA3	GPIO Port A	Input/Output	The PA3 pin can be used for general-purpose I/O. It can be individually programmed as an input or an output and can also be used individually as an interrupt input. Each Port A pin, when programmed as an output, can be selected to be an open-drain or open-source output.
93	PA4	GPIO Port A	Input/Output	The PA4 pin can be used for general-purpose I/O. It can be individually programmed as an input or an output and can also be used individually as an interrupt input. Each Port A pin, when programmed as an output, can be selected to be an open-drain or open-source output.
94	PA5	GPIO Port A	Input/Output	The PA5 pin can be used for general-purpose I/O. It can be individually programmed as an input or an output and can also be used individually as an interrupt input. Each Port A pin, when programmed as an output, can be selected to be an open-drain or open-source output.



Table 1. 100-Pin LQFP Pin Identification of the eZ80190 Device (Continued)

Pin #	Symbol	Function	Signal Direction	Description
95	PA6	GPIO Port A	Input/Output	The PA6 pin can be used for general-purpose I/O. It can be individually programmed as an input or an output and can also be used individually as an interrupt input. Each Port A pin, when programmed as an output, can be selected to be an open-drain or open-source output.
96	PA7	GPIO Port A	Input/Output	The PA7 pin can be used for general-purpose I/O. It can be individually programmed as an input or an output and can also be used individually as an interrupt input. Each Port A pin, when programmed as an output, can be selected to be an open-drain or open-source output.
97	V _{DD}	Power Supply		Power Supply
98	GND	Ground		Ground
99	$\overline{\text{BUSREQ}}$	Bus Request	Input, Active Low	External devices can force the eZ80190 device to release the bus for their use by driving this line Low. To the CPU, the bus request signal can also originate from internal DMA controllers. In such cases, bus requests from the DMA controllers have a higher priority than a request from an external bus master.
100	PHI	System Clock	Output	The PHI pin is an output driven by the internal system clock. It can be used by the system for synchronization with the eZ80190 device.

Register Map

All on-chip peripheral registers are accessed in the I/O address space. All I/O operations employ 16-bit addresses. The upper byte of the 24-bit address bus is forced to 00h (ADDR[23:16] = 00h) during all I/O operations. All I/O operations using 16-bit addresses within the range of 80h to FFh are routed to the on-chip peripherals; where xx is any value from 00h to FFh. External I/O Chip Selects are not generated if the address space programmed for the I/O Chip Selects overlap the 80h to FFh address range.

- **Note:** Registers at unused addresses within the 80h to FFh range assigned to on-chip peripherals are not implemented. READ access to such addresses return unpredictable values and WRITE access produces no effect. [Table 2](#) diagrams the register map for the eZ80190 device.

Table 2. Register Map

Address (hex)	Mnemonic	Name	Reset (hex)	CPU Access	Page #
Programmable Reload Counter/Timers					
80	TMR0_CTL	Timer 0 Control Register	00	R/W	35
81	TMR0_DR_L	Timer 0 Data Register—Low Byte	00	R	36
	TMR0_RR_L	Timer 0 Reload Register—Low Byte	00	W	37
82	TMR0_DR_H	Timer 0 Data Register—High Byte	00	R	36
	TMR0_RR_H	Timer 0 Reload Register—High Byte	00	W	38
83	TMR1_CTL	Timer 1 Control Register	00	R/W	35
84	TMR1_DR_L	Timer 1 Data Register—Low Byte	00	R	36
	TMR1_RR_L	Timer 1 Reload Register—Low Byte	00	W	37
85	TMR1_DR_H	Timer 1 Data Register—High Byte	00	R	36
	TMR1_RR_H	Timer 1 Reload Register—High Byte	00	W	38
86	TMR2_CTL	Timer 2 Control Register	00	R/W	35
87	TMR2_DR_L	Timer 2 Data Register—Low Byte	00	R	36
	TMR2_RR_L	Timer 2 Reload Register—Low Byte	00	W	37

Notes:

1. After an external pin reset, the Watch-Dog Timer Control register resets to 00h. After a Watch-Dog Timer time-out reset, the Watch-Dog Timer Control register resets to 20h.
2. When the CPU reads this register, the pin value of the port is read.

Table 2. Register Map (Continued)

Address (hex)	Mnemonic	Name	Reset (hex)	CPU Access	Page #
Programmable Reload Counter/Timers (continued)					
88	TMR2_DR_H	Timer 2 Data Register—High Byte	00	R	36
	TMR2_RR_H	Timer 2 Reload Register—High Byte	00	W	38
89	TMR3_CTL	Timer 3 Control Register	00	R/W	35
8A	TMR3_DR_L	Timer 3 Data Register—Low Byte	00	R	36
	TMR3_RR_L	Timer 3 Reload Register—Low Byte	00	W	37
8B	TMR3_DR_H	Timer 3 Data Register—High Byte	00	R	36
	TMR3_RR_H	Timer 3 Reload Register—High Byte	00	W	38
8C	TMR4_CTL	Timer 4 Control Register	00	R/W	35
8D	TMR4_DR_L	Timer 4 Data Register—Low Byte	00	R	36
	TMR4_RR_L	Timer 4 Reload Register—Low Byte	00	W	37
8E	TMR4_DR_H	Timer 4 Data Register—High Byte	00	R	36
	TMR4_RR_H	Timer 4 Reload Register—High Byte	00	W	38
8F	TMR5_CTL	Timer 5 Control Register	00	R/W	35
90	TMR5_DR_L	Timer 5 Data Register—Low Byte	00	R	36
	TMR5_RR_L	Timer 5 Reload Register—Low Byte	00	W	37
91	TMR5_DR_H	Timer 5 Data Register—High Byte	00	R	36
	TMR5_RR_H	Timer 5 Reload Register—High Byte	00	W	38
92	Not Accessible				
Watch-Dog Timer					
93	WDT_CTL	Watch-Dog Timer Control Register	00/20 ¹	R/W	40
94	WDT_RR	Watch-Dog Timer Reset Register	XX	W	42
95	Not Accessible				
General-Purpose Input/Output Ports					
96	PA_DR	Port A Data Register	XX	R/W ²	47
97	PA_DDR	Port A Data Direction Register	FF	R/W	48

Notes:

1. After an external pin reset, the Watch-Dog Timer Control register resets to 00h. After a Watch-Dog Timer time-out reset, the Watch-Dog Timer Control register resets to 20h.
2. When the CPU reads this register, the pin value of the port is read.

Table 2. Register Map (Continued)

Address (hex)	Mnemonic	Name	Reset (hex)	CPU Access	Page #
General-Purpose Input/Output Ports (continued)					
98	PA_ALT1	Port A Alternate Register 1	00	R/W	48
99	PA_ALT2	Port A Alternate Register 2	00	R/W	48
9A	PB_DR	Port B Data Register	XX	R/W ²	47
9B	PB_DDR	Port B Data Direction Register	FF	R/W	48
9C	PB_ALT1	Port B Alternate Register 1	00	R/W	48
9D	PB_ALT2	Port B Alternate Register 2	00	R/W	48
9E	PC_DR	Port C Data Register	XX	R/W ²	47
9F	PC_DDR	Port C Data Direction Register	FF	R/W	48
A0	PC_ALT1	Port C Alternate Register 1	00	R/W	48
A1	PC_ALT2	Port C Alternate Register 2	00	R/W	48
A2	PD_DR	Port D Data Register	XX	R/W ²	47
A3	PD_DDR	Port D Data Direction Register	FF	R/W	48
A4	PD_ALT1	Port D Alternate Register 1	00	R/W	48
A5	PD_ALT2	Port D Alternate Register 2	00	R/W	48
A6	Not Accessible				
A7	Not Accessible				
Chip Select/Wait State Generator					
A8	CS0_LBR	Chip Select 0 Lower Bound Register	00	R/W	54
A9	CS0_UBR	Chip Select 0 Upper Bound Register	FF	R/W	55
AA	CS0_CTL	Chip Select 0 Control Register	E8	R/W	56
AB	CS1_LBR	Chip Select 1 Lower Bound Register	00	R/W	54
AC	CS1_UBR	Chip Select 1 Upper Bound Register	00	R/W	55
AD	CS1_CTL	Chip Select 1 Control Register	00	R/W	56
AE	CS2_LBR	Chip Select 2 Lower Bound Register	00	R/W	54
AF	CS2_UBR	Chip Select 2 Upper Bound Register	00	R/W	55

Notes:

1. After an external pin reset, the Watch-Dog Timer Control register resets to 00h. After a Watch-Dog Timer time-out reset, the Watch-Dog Timer Control register resets to 20h.
2. When the CPU reads this register, the pin value of the port is read.

Table 2. Register Map (Continued)

Address (hex)	Mnemonic	Name	Reset (hex)	CPU Access	Page #
Chip Select/Wait State Generator (continued)					
B0	CS2_CTL	Chip Select 2 Control Register	00	R/W	56
B1	CS3_LBR	Chip Select 3 Lower Bound Register	00	R/W	54
B2	CS3_UBR	Chip Select 3 Upper Bound Register	00	R/W	55
B3	CS3_CTL	Chip Select 3 Control Register	00	R/W	56
On-Chip RAM Control					
B4	RAM_CTL	RAM Control Register	00	R/W	58
B5	RAM_ADDR_U	RAM Address Upper Byte	00	R/W	58
Universal ZiLOG Interface Blocks					
B6	SPI0_CTL	SPI 0 Control Register	04	R/W	87
B7	SPI0_SR	SPI 0 Status Register	00	R	88
B8	SPI0_RBR	SPI 0 Receive Buffer Register	XX	R	89
B8	SPI0_TSR	SPI 0 Transmit Shift Register	XX	W	88
B9	Not Accessible				
BA	SPI1_CTL	SPI 1 Control Register	04	R/W	87
BB	SPI1_SR	SPI 1 Status Register	00	R	88
BC	SPI1_RBR	SPI1 Receive Buffer Register	XX	R	89
BC	SPI1_TSR	SPI1 Transmit Shift Register	XX	W	88
BD	Not Accessible				
BE	Not Accessible				
BF	Not Accessible				
C0	UART0_RBR	UART 0 Receive Buffer Register	XX	R	71
	UART0_THR	UART 0 Transmit Holding Register	XX	W	70
	BRG0_DLR_L	BRG 0 Divisor Latch Register—Low Byte	02	R/W	62
C1	BRG0_DLR_H	BRG 0 Divisor Latch Register—High Byte	00	R/W	63
	UART0_IER	UART 0 Interrupt Enable Register	00	R/W	72

Notes:

1. After an external pin reset, the Watch-Dog Timer Control register resets to 00h. After a Watch-Dog Timer time-out reset, the Watch-Dog Timer Control register resets to 20h.
2. When the CPU reads this register, the pin value of the port is read.

Table 2. Register Map (Continued)

Address (hex)	Mnemonic	Name	Reset (hex)	CPU Access	Page #
Universal ZiLOG Interface Blocks (continued)					
C2	UART0_IIR	UART 0 Interrupt Identification Register	01	R	73
	UART0_FCTL	UART 0 FIFO Control Register	00	W	74
C3	UART0_LCTL	UART 0 Line Control Register	00	R/W	75
C4	UART0_MCTL	UART 0 Modem Control Register	00	R/W	77
C5	UART0_LSR	UART 0 Line Status Register	60	R	78
C6	UART0_MSR	UART 0 Modem Status Register	X0	R	80
C7	UART0_SPR	UART 0 Scratch Pad Register	00	R/W	81
C8	I2C0_SAR	I ² C 0 Slave Address Register	00	R/W	102
C9	I2C0_xSAR	I ² C 0 Extended Slave Address Register	00	R/W	103
CA	I2C0_DR	I ² C 0 Data Register	00	R/W	104
CB	I2C0_CTL	I ² C 0 Control Register	00	R/W	104
CC	I2C0_SR	I ² C 0 Status Register	F8	R	107
	I2C0_CCR	I ² C 0 Clock Control Register	00	W	108
CD	I2C0_SRR	I ² C 0 Software Reset Register	XX	W	110
CE	Not Accessible				
CF	UZI0_CTL	UZI 0 Control Register	00	R/W	62
D0	UART1_RBR	UART 1 Receive Buffer Register	XX	R	71
	UART1_THR	UART 1 Transmit Holding Register	XX	W	70
	BRG1_DLR_L	BRG 1 Divisor Latch Register—Low Byte	02	R/W	62
D1	BRG1_DLR_H	BRG 1 Divisor Latch Register—High Byte	00	R/W	63
	UART1_IER	UART 1 Interrupt Enable Register	00	R/W	72
D2	UART1_IIR	UART 1 Interrupt Identification Register	01	R	73
	UART1_FCTL	UART 1 FIFO Control Register	00	W	74
D3	UART1_LCTL	UART 1 Line Control Register	00	R/W	75
D4	UART1_MCTL	UART 1 Modem Control Register	00	R/W	77

Notes:

1. After an external pin reset, the Watch-Dog Timer Control register resets to 00h. After a Watch-Dog Timer time-out reset, the Watch-Dog Timer Control register resets to 20h.
2. When the CPU reads this register, the pin value of the port is read.

Table 2. Register Map (Continued)

Address (hex)	Mnemonic	Name	Reset (hex)	CPU Access	Page #
Universal ZiLOG Interface Blocks (continued)					
D5	UART1_LSR	UART 1 Line Status Register	60	R/W	78
D6	UART1_MSR	UART 1 Modem Status Register	XX	R/W	80
D7	UART1_SPR	UART 1 Scratch Pad Register	00	R/W	81
D8	I2C1_SAR	I ² C 1 Slave Address Register	00	R/W	102
D9	I2C1_xSAR	I ² C 1 Extended Slave Address Register	00	R/W	103
DA	I2C1_DR	I ² C 1 Data Register	00	R/W	104
DB	I2C1_CTL	I ² C 1 Control Register	00	R/W	104
DC	I2C1_SR	I ² C 1 Status Register	F8	R	107
	I2C1_CCR	I ² C 1 Clock Control Register	00	W	108
DD	I2C1_SRR	I ² C 1 Software Reset Register	XX	W	110
DE	Not Accessible				
DF	UZI1_CTL	UZI 1 Control Register	00	R/W	62
Multiply-Accumulator					
E0	MACC_xSTART	Multiply-Accumulator x Starting Address Register	00	R/W	125
E1	MACC_xEND	Multiply-Accumulator x Ending Address Register	00	R/W	126
E2	MACC_xRELOAD	Multiply-Accumulator x Reload Register	00	R/W	127
E3	MACC_LENGTH	Multiply-Accumulator Length Register	00	R/W	127
E4	MACC_ySTART	Multiply-Accumulator y Starting Address Register	00	R/W	128
E5	MACC_yEND	Multiply-Accumulator y Ending Address Register	00	R/W	128
E6	MACC_yRELOAD	Multiply-Accumulator y Reload Register	00	R/W	129
E7	MACC_CTL	Multiply-Accumulator Control Register	00	R/W	129
E8	MACC_AC0	Multiply-Accumulator Byte 0 Register	XX	R/W	132

Notes:

1. After an external pin reset, the Watch-Dog Timer Control register resets to 00h. After a Watch-Dog Timer time-out reset, the Watch-Dog Timer Control register resets to 20h.
2. When the CPU reads this register, the pin value of the port is read.

Table 2. Register Map (Continued)

Address (hex)	Mnemonic	Name	Reset (hex)	CPU Access	Page #
Multiply-Accumulator (continued)					
E9	MACC_AC1	Multiply-Accumulator Byte 1 Register	XX	R/W	132
EA	MACC_AC2	Multiply-Accumulator Byte 2 Register	XX	R/W	133
EB	MACC_AC3	Multiply-Accumulator Byte 3 Register	XX	R/W	133
EC	MACC_AC4	Multiply-Accumulator Byte 4 Register	XX	R/W	134
ED	MACC_STAT	Multiply-Accumulator Status Register	XX	R/W	134
DMA Controllers					
EE	DMA0_SAR_L	DMA0 Source Address Register—Low Byte	XX	R/W	142
EF	DMA0_SAR_H	DMA0 Source Address Register—High Byte	XX	R/W	142
F0	DMA0_SAR_U	DMA0 Source Address Upper Byte Register	XX	R/W	142
F1	DMA0_DAR_L	DMA0 Destination Address Register—Low Byte	XX	R/W	143
F2	DMA0_DAR_H	DMA0 Destination Address Register—High Byte	XX	R/W	143
F3	DMA0_DAR_U	DMA0 Destination Address Upper Byte Register	XX	R/W	143
F4	DMA0_BC_L	DMA0 Byte Count Register—Low Byte	XX	R/W	143
F5	DMA0_BC_H	DMA0 Byte Count Register—High Byte	XX	R/W	143
F6	DMA0_CTL	DMA0 Control Register	00	R/W	144
F7	DMA1_SAR_L	DMA1 Source Address Register—Low Byte	XX	R/W	142
F8	DMA1_SAR_H	DMA1 Source Address Register—High Byte	XX	R/W	142
F9	DMA1_SAR_U	DMA1 Source Address Upper Byte Register	XX	R/W	142

Notes:

1. After an external pin reset, the Watch-Dog Timer Control register resets to 00h. After a Watch-Dog Timer time-out reset, the Watch-Dog Timer Control register resets to 20h.
2. When the CPU reads this register, the pin value of the port is read.

Table 2. Register Map (Continued)

Address (hex)	Mnemonic	Name	Reset (hex)	CPU Access	Page #
DMA Controllers (continued)					
FA	DMA1_DAR_L	DMA1 Destination Address Register— Low Byte	XX	R/W	143
FB	DMA1_DAR_H	DMA1 Destination Address Register— High Byte	XX	R/W	143
FC	DMA1_DAR_U	DMA1 Destination Address Upper Byte Register	XX	R/W	143
FD	DMA1_BC_L	DMA1 Byte Count Register—Low Byte	XX	R/W	143
FE	DMA1_BC_H	DMA1 Byte Count Register—High Byte	XX	R/W	143
FF	DMA1_CTL	DMA1 Control Register	00	R/W	144

Notes:

1. After an external pin reset, the Watch-Dog Timer Control register resets to 00h. After a Watch-Dog Timer time-out reset, the Watch-Dog Timer Control register resets to 20h.
2. When the CPU reads this register, the pin value of the port is read.



eZ80[®] CPU Core

eZ80[®] CPU Core Overview

The eZ80[®] CPU is the first 8-bit microprocessor to support 16MB linear addressing. Each software module or task under a real-time executive or operating system can operate in Z80-compatible (64KB) mode or full 24-bit (16MB) address mode.

The eZ80[®] CPU instruction set is a superset of the instruction sets for the Z80 and Z180 CPUs. Z80 and Z180 programs can be executed on an eZ80[®] CPU with little or no modification.

eZ80[®] CPU Core Features

- Upward code-compatible from Z80 and Z180 products
- 24-bit linear address space
- Single-cycle instruction fetch
- Pipelined fetch, decode, and execute
- Dual Stack Pointers for ADL (24-bit) and Z80 (16-bit) memory modes
- 24-bit CPU registers and ALU
- ZiLOG Debug Interface (ZDI) support
- Nonmaskable Interrupt (NMI) + support for 128 vectored interrupts

For more information on the eZ80[®] CPU, its instruction set, and eZ80[®] programming, refer to the *eZ80[®] CPU User Manual*.

Programmable Reload Timers

Programmable Reload Timers Overview

The eZ80190 device features six Programmable Reload Timers (PRT). Each PRT contains a 16-bit downcounter and a 16-bit reload register. In addition, each PRT features a 4-bit clock prescaler with four selectable taps for $\text{CLK} \div 2$, $\text{CLK} \div 4$, $\text{CLK} \div 8$ and $\text{CLK} \div 16$. Each timer can be individually enabled to operate in either SINGLE PASS or CONTINUOUS mode. The timer can be programmed to start, stop, restart from the current value, or restart from the initial value, and generate interrupts for the CPU.

Each of the 6 PRTs available on the eZ80190 device can be controlled individually. They do not share the same counters, reload registers, control registers, or interrupt signals. A simplified block diagram of a programmable reload timer is shown in [Figure 3](#).

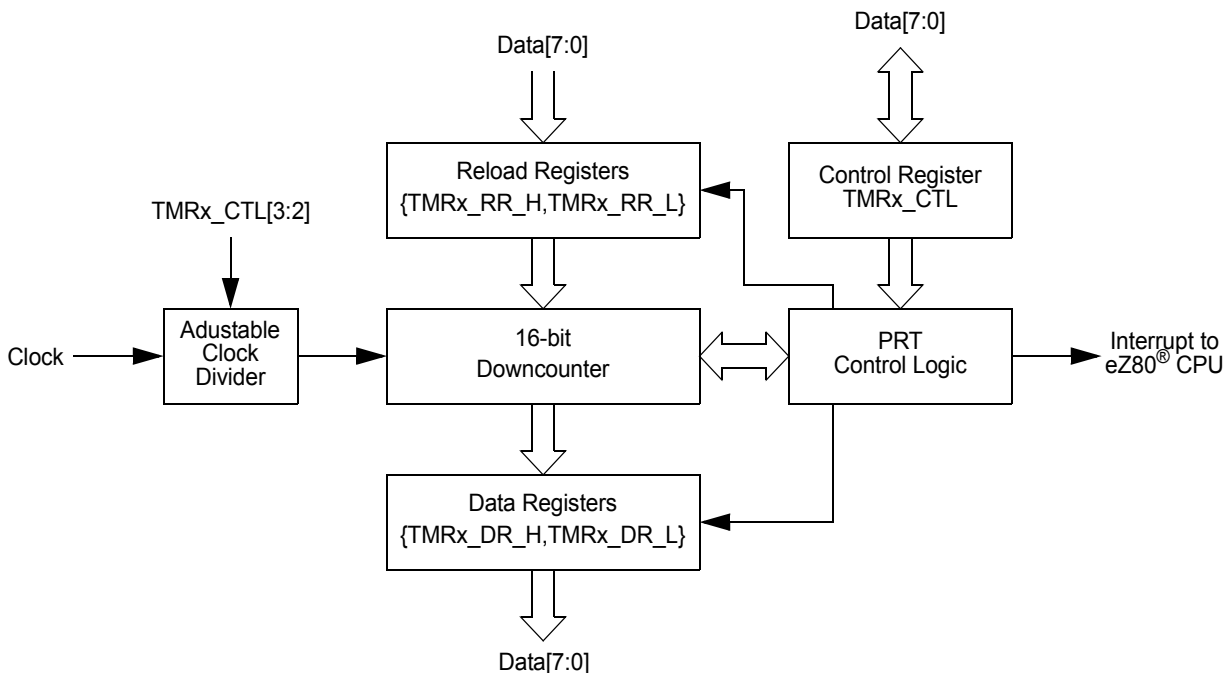


Figure 3. Programmable Reload Timer Block Diagram



Programmable Reload Timer Operation

Setting Timer Duration

There are three factors to consider when determining Programmable Reload Timer duration—clock frequency, clock divider ratio, and initial count value. Minimum duration of the timer is achieved by loading 0001h, because the timer times out on the next clock edge. Maximum duration is achieved by loading 0000h, because the timer rolls over to FFFFh on the next clock edge and then continues counting down to 0000h.

The time-out period of the PRT is returned by the following equation:

$$\text{PRT Time-Out Period} = \frac{\text{Clock Divider Ratio} \times \text{Reload Value}}{\text{System Clock Frequency}}$$

SINGLE PASS Mode

In SINGLE PASS mode, when the end-of-count value, 0000h, is reached, counting halts, the timer is disabled, and the PRT_EN bit resets to 0. To restart the timer, the CPU must reenable the timer by setting the PRT_EN bit to 1. An example of a PRT operating in SINGLE PASS mode is illustrated in Figure 4. Timer register information is indicated in Table 3.

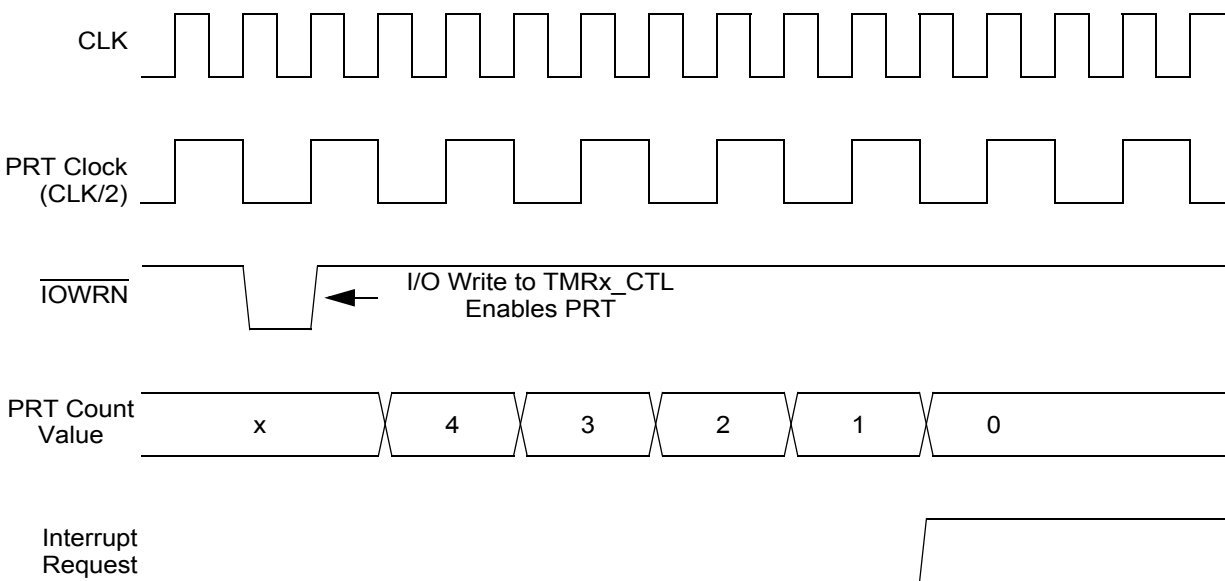


Figure 4. PRT SINGLE PASS Mode Operation Example

Table 3. PRT Single-Pass Mode Operation Example

Parameter	Control Register(s)	Value
PRT Enabled	TMRx_CTL[0]	1
Reload and Restart Enabled	TMRx_CTL[1]	1
PRT Clock Divider = 2	TMRx_CTL[3:2]	00b
Single-Pass Mode	TMRx_CTL[4]	0
PRT Interrupt Enabled	TMRx_CTL[6]	0
PRT Reload Value	{TMRx_RR_H, TMRx_RR_L}	0004h

CONTINUOUS Mode

In CONTINUOUS mode, when the end-of-count value, 0000h, is reached, the timer automatically reloads the 16-bit start value from the Timer Reload registers, TMRx_RR_H and TMRx_RR_L. Dncounting continues on the next clock edge. In CONTINUOUS mode, the PRT continues to count until disabled. An example of a PRT operating in CONTINUOUS mode is illustrated in Figure 5. Timer register information is indicated in Table 4.

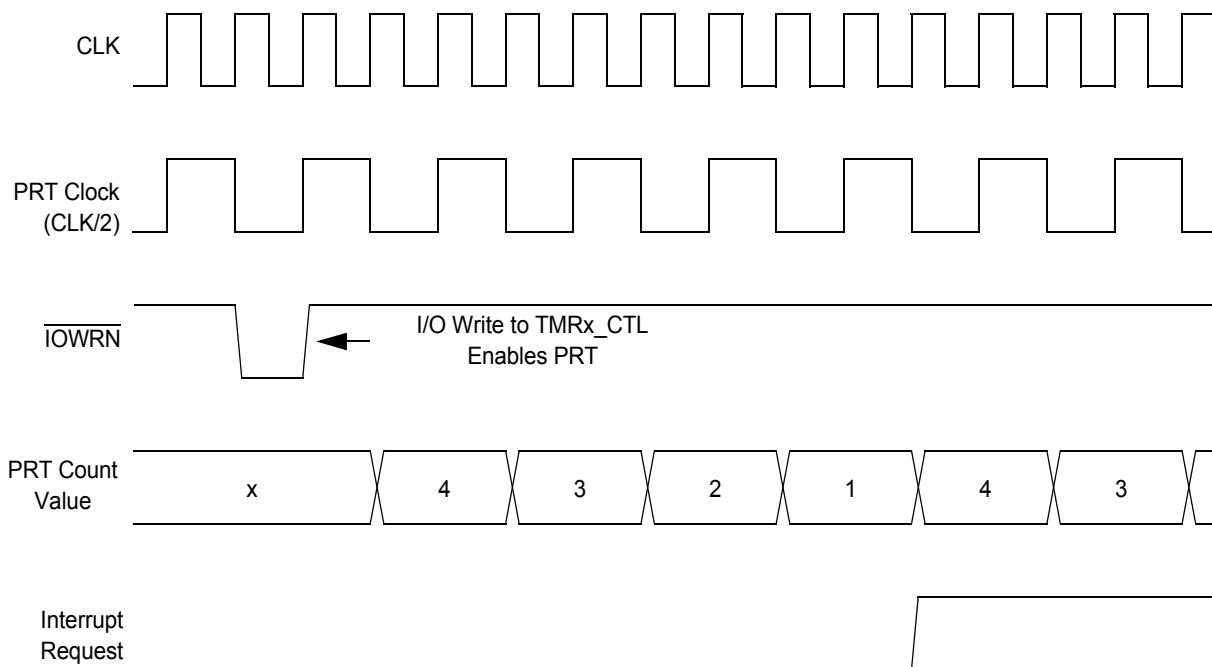


Figure 5. PRT Continuous Mode Operation Example

Table 4. PRT Continuous Mode Operation Example

Parameter	Control Register(s)	Value
PRT Enabled	TMRx_CTL[0]	1
Reload and Restart Enabled	TMRx_CTL[1]	1
PRT Clock Divider = 2	TMRx_CTL[3:2]	00b
Continuous Mode	TMRx_CTL[4]	1
PRT Interrupt Enabled	TMRx_CTL[6]	0
PRT Reload Value	{TMRx_RR_H, TMRx_RR_L}	0004h

Reading the Current Count Value

The eZ80[®] CPU is capable of reading the current count value while the timer is running. This READ event does not affect timer operation.

Timer Interrupts

The timer interrupt flag, PRT_IRQ, is set to 1 whenever the timer reaches its end-of-count value, 0000h, in SINGLE PASS mode, or when the timer reloads the start value in CONTINUOUS mode. The timer interrupt flag is only set when the timer reaches 0000h (or reloads) from 0001h. The timer interrupt flag is not set to 1 when the timer is loaded with the value 0000h, which selects the maximum time-out period.

The CPU can be programmed to poll the PRT_IRQ bit for the time-out event. Alternatively, an interrupt service request signal can be sent to the CPU by setting the IRQ_EN bit to 1. Then, when the end-of-count value, 0000h, is reached and the PRT_IRQ bit is set to 1, an interrupt service request signal is passed to the CPU. The PRT_IRQ bit is cleared to 0 and the interrupt service request signal is inactivated whenever the CPU reads from the timer control register, TMRx_CTL.

The response of the CPU to this interrupt service request is a function of the CPU's interrupt enable flag, IEF1. For more information, refer to the eZ80[®] CPU User Manual.

Programmable Reload Timer Registers

Each programmable reload timer is controlled using five 8-bit registers. These registers are the TIMERx Control register, TIMERx Reload Low Byte register, TIMERx Reload High Byte register, TIMERx Data Low Byte register, and TIMERx Data High Byte register. The variable x can be 0, 1, 2, 3, 4, or 5, representing each of the 6 available timers.

The Timer Control register can be read or written to. The timer reload registers are Write Only and are located at the same I/O address as the timer data registers, which are Read Only.

Timer Control Registers

The Timer Control registers, detailed in [Table 5](#), are used to control operation of the timer, including enabling the timer, selecting the clock divider, enabling the interrupt, selecting between CONTINUOUS and SINGLE PASS modes, and enabling the automatic reload feature.

Table 5. Timer Control Register
(TMR0_CTL = 0080h, TMR1_CTL = 0083h, TMR2_CTL = 0086h,
TMR3_CTL = 0089h, TMR4_CTL = 008Ch, TMR5_CTL = 008Fh)

Bit	7	6	5	4	3	2	1	0
Reset	0	0	0	0	0	0	0	0
CPU Access	R	R/W	R/W	R/W	R/W	R/W	R/W	R/W

Note: R = Read Only; R/W = Read/Write.

Bit Position	Value	Description
7 PRT_IRQ	0	The timer has not reached its end-of-count value. This bit is reset to 0 every time the TMRx_CTL register is read.
	1	The timer has reached its end-of-count value. If IRQ_EN is set to 1, an interrupt signal is sent to the CPU. This bit remains 1 until the TMRx_CTL register is read.
6 IRQ_EN	0	Timer interrupt requests are disabled.
	1	Timer interrupt requests are enabled.
5	0	Reserved
4 PRT_MODE	0	The timer operates in SINGLE PASS mode. PRT_EN (bit 0) is reset to 0, and counting stops when the end-of-count value is reached.
	1	The timer operates in CONTINUOUS mode. The timer reload value is written to the counter when the end-of-count value is reached.
[3:2] CLK_DIV	00	Clock ÷ 2 is the timer input source.
	01	Clock ÷ 4 is the timer input source.
	10	Clock ÷ 8 is the timer input source.
	11	Clock ÷ 16 is the timer input source.

1 RST_EN	0	The automatic reload and restart function is disabled.
	1	The automatic reload and restart function is enabled. When a 1 is written to RST_EN, the values in the reload registers are loaded into the downcounter and the timer restarts.
0 PRT_EN	0	The programmable reload timer is disabled.
	1	The programmable reload timer is enabled.

Timer Data Low Byte Register

This Read Only register returns the Low byte of the current count value of the selected timer. The Timer Data Low Byte register, detailed in [Table 6](#), can be read while the timer is in operation. Reading the current count value does not affect timer operation. To read the 16-bit data of the current count value, {TMRx_DR_H[7:0], TMRx_DR_L[7:0]}, first read the Timer Data Low Byte register and then read the Timer Data High Byte register. The Timer Data High Byte register value is latched when a read of the Timer Data Low Byte register occurs.

► **Note:** The timer data registers and timer reload registers share the same address space.

Table 6. Timer Data Low Byte Register
(TMR0_DR_L = 0081h, TMR0_DR_L = 0084h,
TMR0_DR_L = 0087h, TMR0_DR_L = 008Ah, TMR0_DR_L = 008Dh)

Bit	7	6	5	4	3	2	1	0
Reset	0	0	0	0	0	0	0	0
CPU Access	R	R	R	R	R	R	R	R

Note: R = Read Only.

Bit Position	Value	Description
[7:0] TMR_DR_L	00h–FFh	These bits represent the Low byte of the 2-byte timer data value, {TMRx_DR_H[7:0], TMRx_DR_L[7:0]}. Bit 7 is bit 7 of the 16-bit timer data value. Bit 0 is bit 0 (lsb) of the 16-bit timer data value.

Timer Data High Byte Register

This Read Only register returns the High byte of the current count value of the selected timer. The Timer Data High Byte register, detailed in [Table 7](#), can be read while the timer is in operation. Reading the current count value does not affect timer operation. To read the 16-bit data of the current count value, {TMRx_DR_H[7:0], TMRx_DR_L[7:0]}, first read the Timer Data Low Byte register

and then read the Timer Data High Byte register. The Timer Data High Byte register value is latched when a read of the Timer Data Low Byte register occurs.

- **Note:** The timer data registers and timer reload registers share the same address space.

Table 7. Timer Data High Byte Registers
(TMR0_DR_H = 0082h, TMR1_DR_H = 0085h,
TMR2_DR_H = 0088h, TMR3_DR_H = 008Bh, TMR4_DR_H = 008Eh)

Bit	7	6	5	4	3	2	1	0
Reset	0	0	0	0	0	0	0	0
CPU Access	R	R	R	R	R	R	R	R

Note: R = Read Only.

Bit Position	Value	Description
[7:0] TMR_DR_H	00h–FFh	These bits represent the High byte of the 2-byte timer data value, {TMRx_DR_H[7:0], TMRx_DR_L[7:0]}. Bit 7 is bit 15 (msb) of the 16-bit timer data value. Bit 0 is bit 8 of the 16-bit timer data value.

Timer Reload Low Byte Registers

The Timer Reload Low Byte registers, detailed in [Table 8](#), stores the most significant byte (MSB) of the 2-byte timer reload value. In CONTINUOUS mode, the timer reload value is reloaded into the timer upon end-of-count. When the RST_EN bit (TMRx_CTL[1]) is set to 1 to enable the automatic reload and restart function, the timer reload value is written to the timer on the next rising edge of the clock.

- **Note:** The timer data registers and timer reload registers share the same address space.

Table 8. Timer Reload Low Byte Registers
(TMR0_RR_L = 0081h, TMR1_RR_L = 0084h,
TMR2_RR_L = 0087h, TMR3_RR_L = 008Ah, TMR4_RR_L = 008Dh)

Bit	7	6	5	4	3	2	1	0
Reset	0	0	0	0	0	0	0	0
CPU Access	W	W	W	W	W	W	W	W

Note: W = Write Only.

Bit Position	Value	Description
[7:0] TMR_RR_L	00h–FFh	These bits represent the Low byte of the 2-byte timer reload value, {TMRx_RR_H[7:0], TMRx_RR_L[7:0]}. Bit 7 is bit 7 of the 16-bit timer reload value. Bit 0 is bit 0 (lsb) of the 16-bit timer reload value.

Timer Reload High Byte Registers

The Timer Reload High Byte registers, detailed in [Table 9](#), stores the most significant byte (MSB) of the 2-byte timer reload value. In CONTINUOUS mode, the timer reload value is reloaded into the timer upon reaching an end-of-count. When the RST_EN bit (TMRx_CTL[1]) is set to 1 to enable the automatic reload and restart function, the timer reload value is written to the timer on the next rising edge of the clock.

- **Note:** The timer data registers and timer reload registers share the same address space.

Table 9. Timer Reload High Byte Registers
(TMR0_RR_H = 0082h, TMR1_RR_H = 0085h,
TMR2_RR_H = 0088h, TMR3_RR_H = 008Bh, TMR4_RR_H = 008Eh)

Bit	7	6	5	4	3	2	1	0
Reset	0	0	0	0	0	0	0	0
CPU Access	W	W	W	W	W	W	W	W

Note: W = Write Only.

Bit Position	Value	Description
[7:0] TMR_RR_H	00h–FFh	These bits represent the High byte of the 2-byte timer reload value, {TMRx_RR_H[7:0], TMRx_RR_L[7:0]}. Bit 7 is bit 15 (msb) of the 16-bit timer reload value. Bit 0 is bit 8 of the 16-bit timer reload value.

Watch-Dog Timer

Watch-Dog Timer Overview

The eZ80190 device includes a Watch-Dog Timer (WDT), which features:

- Four programmable time-out periods: 2^{18} , 2^{22} , 2^{25} , and 2^{27} clock cycles
- A WDT time-out RESET indicator flag
- A selectable time-out response: a time-out generates a RESET or a nonmaskable interrupt

Figure 6 illustrates the block diagram for the Watch-Dog Timer.

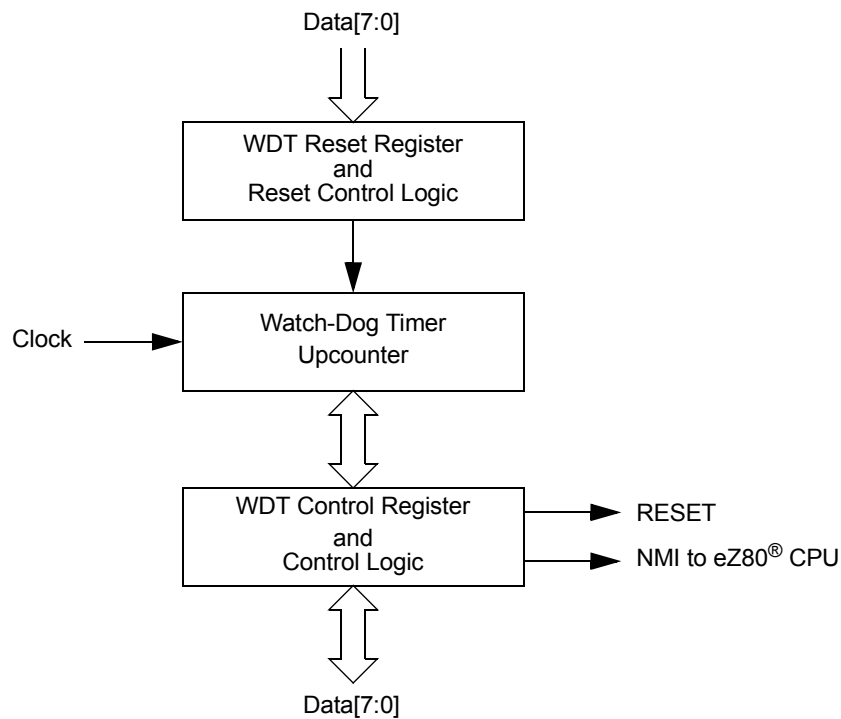


Figure 6. Watch-Dog Timer Block Diagram

Watch-Dog Timer Operation

Enabling And Disabling The WDT

The Watch-Dog Timer is disabled upon a system RESET. To enable the WDT, the application program must set the WDT_EN bit (bit 7) of the WDT_CTL register. When enabled, the WDT cannot be disabled without a system RESET.

Time-Out Period Selection

There are four choices of time-out periods for the WDT— 2^{18} , 2^{22} , 2^{25} , and 2^{27} system clock cycles. With a 50-MHz crystal oscillator, the available WDT time-out periods are approximately 5.24ms, 83.9ms, 671ms, and 2.68s. The WDT time-out period is defined by the WDT_PERIOD field of the WDT_CTL register (WDT_CTL[1:0]).

RESET Or NMI Generation

Upon a WDT time-out, the RST_FLAG bit in the WDT_CTL register is set to 1. In addition, the WDT can cause a system RESET or send a nonmaskable interrupt (NMI) signal to the CPU. The default operation is for the WDT to cause a system RESET. The reset pulse generated by a Watch-Dog Timer time-out is 64 clock cycles wide. It asserts/deasserts on the rising edge of the clock. The RST_FLAG bit can be polled by the CPU to determine the source of the RESET event.

If the NMI_OUT bit in the WDT_CTL register is set to 1, then upon time-out, the WDT asserts an NMI for CPU processing. The RST_FLAG bit can be polled by the CPU to determine the source of the NMI event.

Watch-Dog Timer Registers

Watch-Dog Timer Control Register

The Watch-Dog Timer Control register, detailed in [Table 10](#), is an 8-bit Read/Write register used to enable the Watch-Dog Timer, set the time-out period, indicate the source of the most recent RESET, and select the required operation upon WDT time-out.

**Table 10. Watch-Dog Timer Control Register
(WDT_CTL = 93h)**

Bit	7	6	5	4	3	2	1	0
Reset	0	0	0/1	0	0	0	0	0
CPU Access	R/W	R/W	R	R	R	R	R/W	R/W

Note: R = Read Only; R/W = Read/Write.

Bit Position	Value	Description
7 WDT_EN	0	WDT is disabled.
	1	WDT is enabled. When enabled, the WDT cannot be disabled without a full-chip reset.
6 NMI_OUT	0	WDT time-out resets the CPU.
	1	WDT time-out generates a nonmaskable interrupt (NMI) to the CPU.
5 RST_FLAG	0	RESET caused by external full-chip reset or ZDI reset.
	1	RESET caused by WDT time-out. This flag is set by the WDT time-out, even if the NMI_OUT flag is set to 1. The CPU can poll this bit to determine the source of the RESET or NMI.
[4:2]	000	Reserved.
[1:0] WDT_PERIOD	00	WDT time-out period is 134,217,728 (2^{27}) clock cycles.
	01	WDT time-out period is 33,554,432 (2^{25}) clock cycles.
	10	WDT time-out period is 4,194,304 (2^{22}) clock cycles.
	11	WDT time-out period is 262,144 (2^{18}) clock cycles.

Watch-Dog Timer Reset Register

The Watch-Dog Timer Reset register, detailed in [Table 11](#), is an 8-bit Write Only register. The Watch-Dog Timer is reset when an `A5h` value followed by `5Ah` is written to this register. Any amount of time can occur between the writing of the `A5h` value and the `5Ah` value, so long as the WDT time-out does not occur prior to completion.

**Table 11. Watch-Dog Timer Reset Register
(WDT_RR = 94h)**

Bit	7	6	5	4	3	2	1	0
Reset	X	X	X	X	X	X	X	X
CPU Access	W	W	W	W	W	W	W	W

Note: X = Undefined; W = Write Only.

Bit Position	Value	Description
[7:0] WDT_RR	A5h	The first write value required to reset the WDT prior to a time-out.
	5Ah	The second write value required to reset the WDT prior to a time-out. If an A5h, 5Ah sequence is written to WDT_RR, the WDT timer is reset to its initial count value, and counting resumes.

General-Purpose Input/Output

GPIO Overview

The eZ80190 device features 32 General-Purpose Input/Output (GPIO) pins. The GPIO pins are assembled as four 8-bit ports—Port A, Port B, Port C, and Port D. All port signals can be configured for use as either inputs or outputs. In addition, all of the port pins can be used as vectored interrupt sources for the eZ80[®] CPU.

GPIO Operation

GPIO operation is the same for all 4 GPIO ports (Ports A, B, C, and D). Each port features eight GPIO port pins. The operating mode for each pin is controlled by four bits that are divided between four 8-bit registers. These GPIO mode control registers are:

- Port *x* Data Register (Px_DR)
- Port *x* Data Direction Register (Px_DDR)
- Port *x* Alternate Register 1 (Px_ALT1)
- Port *x* Alternate Register 2 (Px_ALT2)

where *x* can be *A*, *B*, *C*, or *D*, representing any of the four GPIO ports A, B, C, or D. The mode for each pin is controlled by setting each register bit pertinent to the pin to be configured. For example, the operating mode for Port B Pin 7 (PB7) is set by the values contained in PB_DR[7], PB_DDR[7], PB_ALT1[7], and PB_ALT2[7].

The combination of the GPIO control register bits allows individual configuration of each port pin for nine modes. In all modes, reading the Port *x* Data register returns the sampled state, or level, of the signal on the corresponding pin. [Table 12](#) indicates the function of each port signal based upon these four register bits. After a RESET event, all GPIO port pins are configured as standard digital inputs, with interrupts disabled.

Table 12. GPIO Mode Selection

GPIO Mode	Px_ALT2 Bits7:0	Px_ALT1 Bits7:0	Px_DDR Bits7:0	Px_DR Bits7:0	Port Mode	Output
1	0	0	0	0	Output	0
	0	0	0	1	Output	1
2	0	0	1	0	Input from pin	High impedance
	0	0	1	1	Input from pin	High impedance
3	0	1	0	0	Open-Drain output	0
	0	1	0	1	Open-Drain I/O	High impedance
4	0	1	1	0	Open source I/O	High impedance
	0	1	1	1	Open source output	1
5	1	0	0	0	Reserved	High impedance
6	1	0	0	1	Interrupt—dual edge triggered	High impedance
7	1	0	1	0	Port A or B—input from pin, high-impedance output. Port C or D—alternate function controls port I/O.	
	1	0	1	1	Port A or B—input from pin, high-impedance output. Port C or D—alternate function controls port I/O.	
8	1	1	0	0	Interrupt—active Low	High impedance
	1	1	0	1	Interrupt—active High	High impedance
9	1	1	1	0	Interrupt—falling edge triggered	High impedance
	1	1	1	1	Interrupt—rising edge triggered	High impedance

GPIO Mode 1. The port pin is configured as a standard digital output pin. The value written to the Port x Data register (Px_DR) is presented on the pin.

GPIO Mode 2. The port pin is configured as a standard digital input pin. The output is tristated (high impedance). The value stored in the Port x Data register produces no effect. As in all modes, a read from the Port x Data register returns the pin's value. GPIO Mode 2 is the default operating mode following a RESET.

GPIO Mode 3. The port pin is configured as open-drain I/O. The GPIO pins do not feature an internal pull-up to the supply voltage. To employ the GPIO pin in open-drain mode, an external pull-up resistor must connect the pin to the supply voltage. Writing a 0 to the Port x Data register outputs a Low at the pin. Writing a 1 to the Port x Data register results in high-impedance output.

GPIO Mode 4. The port pin is configured as open-source I/O. The GPIO pins do not feature an internal pull-down to the supply ground. To employ the GPIO pin in

open-source mode, an external pull-down resistor must connect the pin to the supply ground. Writing a 1 to the Port x Data register outputs a High at the pin. Writing a 0 to the Port x Data register results in a high-impedance output.

GPIO Mode 5. Reserved. This pin produces high-impedance output.

GPIO Mode 6. The bit enables a dual-edge-triggered interrupt mode. Both a rising and a falling edge on the pin cause an interrupt request to be sent to the CPU. Writing a 1 to the Port x Data register bit position resets the corresponding interrupt request. Writing a 0 produces no effect. The programmer must set the Port x Data register before entering the dual-edge-triggered interrupt mode.

GPIO Mode 7. For Ports C and D, the port pin is configured to pass control over to the alternate functions assigned to the pin. For example, the alternate mode function for PC7 is $\overline{RI1}$. When GPIO Mode 7 is enabled, the pin output data and pin tristate control come from the alternate function's data output and tristate control, respectively. The value in the Port x Data register produces no effect on operation.

For Ports A and B, which do not feature alternate I/O functions, selecting GPIO Mode 7 results in a configuration of the pins for input from the pin and high-impedance output as in GPIO Mode 2.

GPIO Mode 8. The port pin is configured for level-sensitive interrupt modes. An interrupt request is generated when the level at the pin is the same as the level stored in the Port x Data register. The port pin value is sampled by the system clock. The input pin must be held at the selected interrupt level for a minimum of 2 clock periods to initiate an interrupt. The interrupt request remains active as long as this condition is maintained at the external source.

GPIO Mode 9. The port pin is configured for single-edge-triggered interrupt mode. The value in the Port x Data register determines if a positive or negative edge causes an interrupt request. A 0 in the Port x Data register bit sets the selected pin to generate an interrupt request for falling edges. A 1 in the Port x Data register bit sets the selected pin to generate an interrupt request for rising edges. The interrupt request remains active until a 1 is written to the Port x Data register bit's corresponding interrupt request. Writing a 0 produces no effect on operation. The programmer must set the Port x Data register before entering the single-edge-triggered interrupt mode.

A simplified block diagram of a GPIO port pin is illustrated in [Figure 7](#).

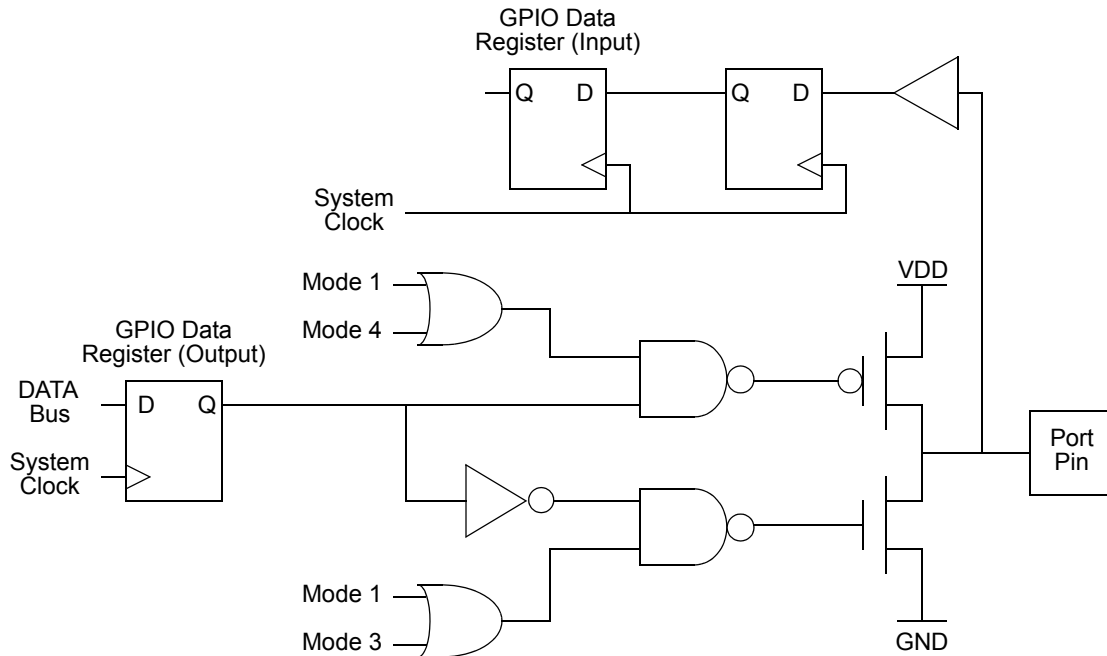


Figure 7. GPIO Port Pin Block Diagram

GPIO Interrupts

Each port pin can be used as an interrupt source. Interrupts can be either level- or edge-triggered.

Level-Triggered Interrupts

When the port is configured for level-triggered interrupts, the corresponding port pin is tristated. An interrupt request is generated when the level at the pin is the same as the level stored in the Port x Data register. The port pin value is sampled by the system clock. The input pin must be held at the selected interrupt level for a minimum of 2 clock periods to initiate an interrupt. The interrupt request remains active as long as this condition is maintained at the external source.

For example, if PA3 is programmed for low-level interrupt and the pin is forced Low for 2 clock cycles, an interrupt request signal is generated from that port pin and sent to the CPU. The interrupt request signal remains active until the external device driving PA3 forces the pin High. The CPU must be enabled to respond to interrupts for the interrupt request signal to be acted upon.

Edge-Triggered Interrupts

When the port is configured for edge-triggered interrupts, the corresponding port pin is tristated. If the pin receives the correct edge from an external device, the port pin generates an interrupt request signal to the CPU. Any time a port pin is configured for edge-triggered interrupt, writing a 1 to that pin's Port x Data register causes a reset of the edge-triggered interrupt. The programmer must set the bit in the Port x Data register to 1 before entering either single- or dual-edge-triggered interrupt mode for that port pin.

When configured for dual-edge-triggered interrupt mode (GPIO Mode 6), both a rising and a falling edge on the pin cause an interrupt request to be sent to the CPU.

When configured for single-edge-triggered interrupt mode (GPIO Mode 9), the value in the Port x Data register determines if a positive or negative edge causes an interrupt request. A 0 in the Port x Data register bit sets the selected pin to generate an interrupt request for falling edges. A 1 in the Port x Data register bit sets the selected pin to generate an interrupt request for rising edges.

GPIO Control Registers

The 16 GPIO Control Registers operate in groups of 4 with a set for each Port (A, B, C, and D). Each GPIO port features a Port Data register, Port Data Direction register, Port Alternate register 1, and Port Alternate register 2.

Port x Data Registers

When the port pins are configured for one of the output modes, the data written to the Port x Data registers, detailed in [Table 13](#), are driven on the corresponding pins. In all modes, reading from the Port x Data registers always returns the current sampled value of the corresponding pins. When the port pins are configured as edge-triggered interrupt sources, writing a 1 to the corresponding bit in the Port x Data register clears the interrupt signal that is sent to the CPU. When the port pins are configured for edge-selectable interrupts or level-sensitive interrupts, the value written to the Port x Data register bit selects the interrupt edge or interrupt level. See [Table 12](#) on page 44 for more information.

Table 13. Port x Data Registers
(PA_DR = 96h, PB_DR = 9Ah, PC_DR = 9Eh, PD_DR = A2h)

Bit	7	6	5	4	3	2	1	0
Reset	X	X	X	X	X	X	X	X
CPU Access	R/W	R/W	R/W	R/W	R/W	R/W	R/W	R/W

Note: X = Undefined; R/W = Read/Write.

Port x Data Direction Registers

In conjunction with the other GPIO Control Registers, the Port x Data Direction registers, detailed in [Table 14](#), control the operating modes of the GPIO port pins. See [Table 12](#) on page 44 for more information.

Table 14. Port x Data Direction Registers
(PA_DDR = 97h, PB_DDR = 9Bh, PC_DDR = 9Fh, PD_DDR = A3h)

Bit	7	6	5	4	3	2	1	0
Reset	1	1	1	1	1	1	1	1
CPU Access	R/W	R/W	R/W	R/W	R/W	R/W	R/W	R/W

Note: R/W = Read/Write.

Port x Alternate Registers 1

In conjunction with the other GPIO Control Registers, the Port x Alternate Register 1, detailed in [Table 15](#), control the operating modes of the GPIO port pins. See [Table 12](#) on page 44 for more information.

Table 15. Port x Alternate Registers 1
(PA_ALT1 = 98h, PB_ALT1 = 9Ch, PC_ALT1 = A0h, PD_ALT1 = A4h)

Bit	7	6	5	4	3	2	1	0
Reset	0	0	0	0	0	0	0	0
CPU Access	R/W	R/W	R/W	R/W	R/W	R/W	R/W	R/W

Note: R/W = Read/Write.

Port x Alternate Registers 2

In conjunction with the other GPIO Control Registers, the Port x Alternate Register 2, detailed in [Table 16](#), control the operating modes of the GPIO port pins. See [Table 12](#) on page 44 for more information.

Table 16. Port x Alternate Registers 2
(PA_ALT2 = 99h, PB_ALT2 = 9Dh, PC_ALT2 = A1h, PD_ALT2 = A5h)

Bit	7	6	5	4	3	2	1	0
Reset	0	0	0	0	0	0	0	0
CPU Access	R/W	R/W	R/W	R/W	R/W	R/W	R/W	R/W

Note: R/W = Read/Write.

Chip Selects and Wait States

The eZ80190 device generates four Chip Selects for external devices. Each Chip Select may be programmed to access either memory space or I/O space. The Memory Chip Selects can be individually programmed on a 64KB boundary. The I/O Chip Selects can each choose a 16-byte section of I/O space. In addition, each Chip Select may be programmed for up to 7 WAIT states.

Memory and I/O Chip Selects

Each of the 4 available Chip Selects can be enabled for either the memory address space or the I/O address space, but not both. To select the memory address space for a particular Chip Select, CS_IO (CSx_CTL[4]) must be reset to 0. To select the I/O address space for a particular Chip Select, CS_IO must be set to 1. After RESET, the default is for all Chip Selects to be configured for the memory address space. For either the memory address space or the I/O address space, the individual Chip Selects must be enabled by setting CS_EN (CSx_CTL[3]) to 1.

Memory Chip Select Operation

Each of the 4 Memory Chip Selects features 3 control registers. To enable a particular Memory Chip Select, the following conditions must be met:

- The Chip Select is enabled by setting CS_EN to 1
- The Chip Select is configured for memory by clearing CS_IO to 0
- The address is in the associated Chip Select range:

$$CSx_LBR[7:0] \leq ADDR[23:16] \leq CSx_UBR[7:0]$$
- No higher priority (lower number) Chip Select meets the above 3 conditions
- No on-chip RAM is configured for the same address space, because on-chip RAM is prioritized higher than all Memory Chip Selects
- A memory access instruction must be executing

If all of the foregoing conditions are met to generate a Memory Chip Select, then the following actions occur:

- A Chip Select— $\overline{CS0}$, $\overline{CS1}$, $\overline{CS2}$, or $\overline{CS3}$ —is activated (driven Low)
- The \overline{MREQ} signal is activated (driven Low)

- Depending upon the instruction, either \overline{RD} or \overline{WR} are activated (driven Low)

If the upper and lower bounds are set to the same value, such that $CSx_UBR = CSx_LBR$, then a particular Chip Select is valid for, at most, a single 64KB page. Again, if a higher-priority Chip Select also encompasses the same set of addresses, then the lower-priority Chip Select is not generated.

Memory Chip Select Priority

A lower-numbered Chip Select is granted priority over a higher-numbered Chip Select. If the Chip Select 0 address space overlaps the Chip Select 1 address space, Chip Select 0 is active. If the address range programmed for any Chip Select signal overlaps with the address of internal RAM, then RAM is accorded higher priority. If the particular Chip Select(s) feature an address range that overlaps with the RAM address, then when RAM is selected, the Chip Select signal is not asserted.

Reset States

On reset, Chip Select 0 is active for all addresses, because its Lower Bound register resets to `0000h` and its Upper Bound register resets to `FFFFh`. All of the other Chip Select Lower and Upper Bound registers reset to `0000h`.

Memory Chip Select Example

The use of Memory Chip Selects is demonstrated in [Figure 8](#). The associated control register values indicated in [Table 17](#). In this example, all 4 Chip Selects are enabled and configured for memory addresses. CS0, CS1, and CS2 are all configured such that their address spaces do not overlap. CS3 is allocated an address space that spans the entire 16 MB of available memory. Consequently, CS3 overlaps the address spaces for CS0, CS1, and CS2. However, because CS3 is the lowest-priority Chip Select, it only becomes active where it does not overlap either CS0, CS1, or CS2.

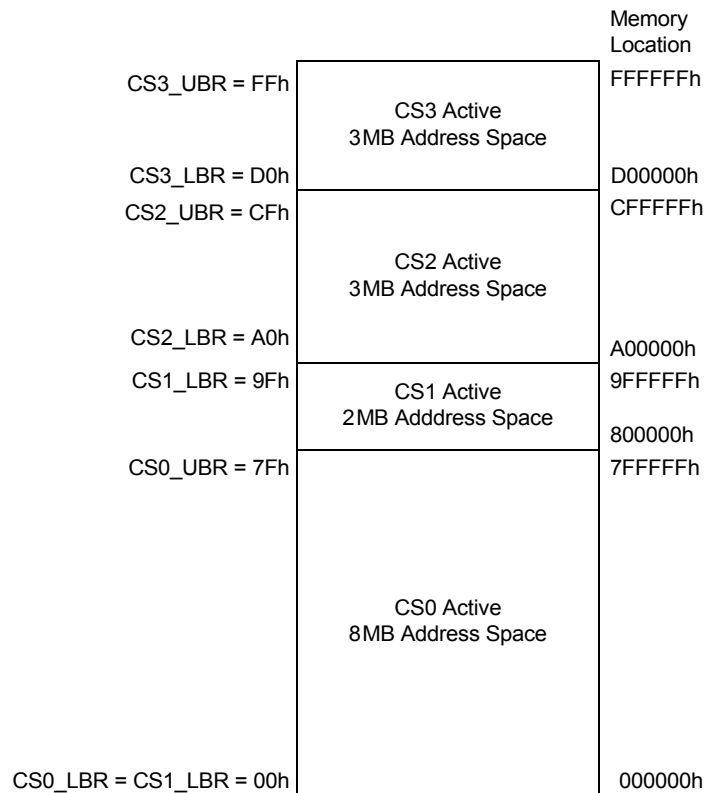


Figure 8. Memory Chip Select Example

Table 17. Register Values for Memory Chip Select Example

Chip Select	CSx_CTL		CSx_LBR	CSx_UBR	Description
	[3] CSx_EN	[4] CSx_IO			
CS0	1	0	00h	7Fh	CS0 is enabled as a Memory Chip Select. Valid addresses range from 000000h to 7FFFFFFh.
CS1	1	0	80h	9Fh	CS1 is enabled as a Memory Chip Select. Valid addresses range from 800000h to 9FFFFFFh.
CS2	1	0	A0h	CFh	CS2 is enabled as a Memory Chip Select. Valid addresses range from A00000h to CFFFFFFh.
CS3	1	0	D0h	FFh	CS3 is enabled as a Memory Chip Select. Valid addresses range from D00000h to FFFFFFFh.



I/O Chip Select Operation

I/O Chip Selects can only be active when the CPU is performing I/O instructions. Because the I/O space is separate from the memory space in the eZ80190 device, there can never be a conflict between I/O and memory addresses.

The I/O Chip Select logic decodes 8 bits from the address bus, ADDR[11:4]. Because the upper byte of the address bus, ADDR[23:16], is ignored, the I/O devices can always be accessed from within any memory mode (ADL or Z80). The MBASE offset value used for setting the Z80 MEMORY mode page is also always ignored.

Four I/O Chip Selects are available with the eZ80190 device. To generate a particular I/O Chip Select, the following conditions must be met:

- The Chip Select is enabled by setting CS_EN to 1
- The Chip Select is configured for I/O by setting CS_IO to 1
- An I/O Chip Select address match occurs—ADDR[11:4] = CSx_LBR[7:0]
- No higher-priority (lower-number) Chip Select meets the above conditions
- The lower byte of the I/O address is not within the on-chip peripheral address range of 80h to FFh. On-chip peripheral registers assume priority for all addresses where

$$80h \leq ADDR[7:0] \leq FFh$$

- An I/O instruction must be executing

If all of the foregoing conditions are met to generate an I/O Chip Select, then the following actions occur:

- A Chip Select— $\overline{CS0}$, $\overline{CS1}$, $\overline{CS2}$, or $\overline{CS3}$ —is activated (driven Low)
- The \overline{IORQ} signal is activated (driven Low)
- Depending upon the instruction, either \overline{RD} or \overline{WR} are activated (driven Low)

I/O Chip Select Precaution

For all I/O operations, the upper byte of the address bus, ADDR[23:16], is forced to 00h. The I/O Chip Selects do not compare the values stored in the CSx_LBR registers to what is generally considered to be the High byte of the I/O address, or ADDR[15:8]. Instead, the I/O Chip Selects compare the values stored in the CSx_LBR registers to a byte taken from the middle of the I/O address, or ADDR[11:4].

Wait States

For each of the 4 available Chip Selects, programmable WAIT states can be inserted to provide external devices with additional clock cycles to complete their read and write operations. The number of WAIT states for a particular Chip Select is controlled by the 3-bit field CSx_wait (CSx_CTL[7:5]). The Chip Selects can be independently programmed to provide 0 to 7 WAIT states. The WAIT states idle the CPU for the specified number of system clock cycles. An example of WAIT state operation is illustrated in Figure 9. In this example, a single WAIT state is added. It causes the instruction read operation to use an additional clock cycle. $\overline{\text{WAIT}}$ is an internal signal used by the eZ80190 device and is illustrated in Figure 9 for informational purposes only.

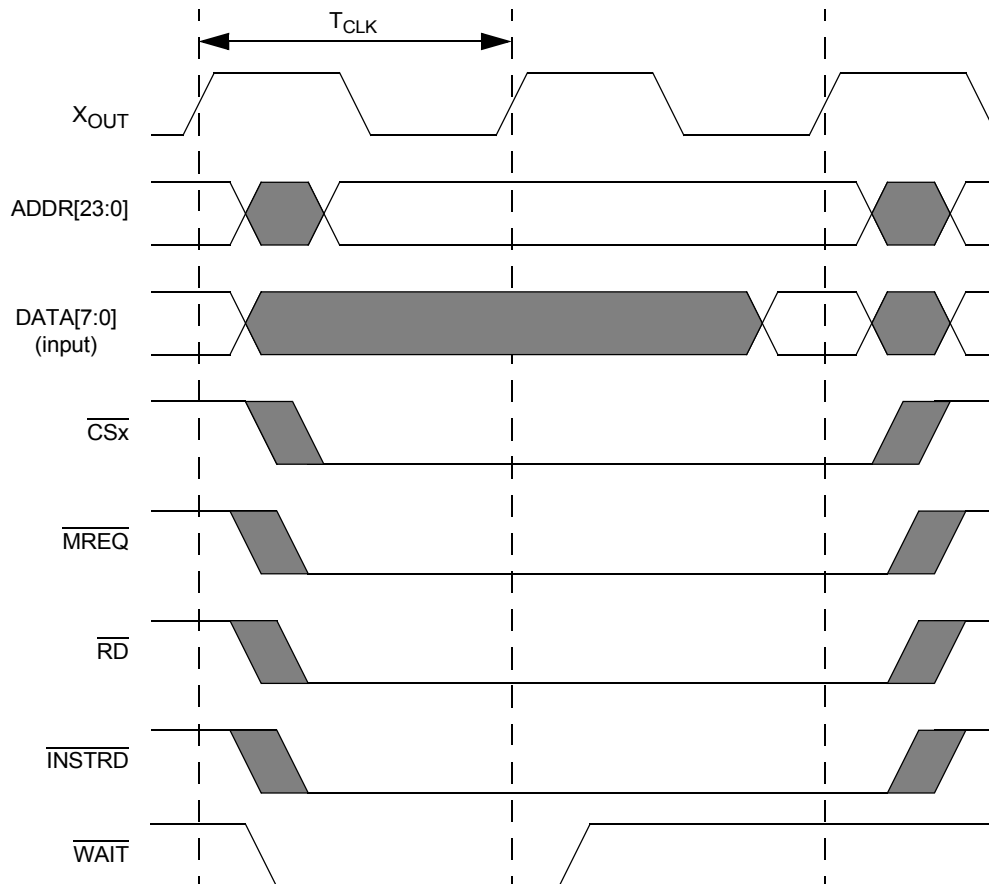


Figure 9. Wait State Operation Example

Chip Select Registers

Chip Select x Lower Bound Register

For Memory Chip Selects, the Chip Select x Lower Bound register, detailed in [Table 18](#), defines the lower bound of the address range for which the corresponding Memory Chip Select, if enabled, can be active. For I/O Chip Selects, this register defines the address to which ADDR[11:4] is compared to generate an I/O Chip Select. All Chip Select lower bound registers reset to 00h.

Table 18. Chip Select x Lower Bound Register
(CS0_LBR = A8h, CS1_LBR = ABh, CS2_LBR = AEh, CS3_LBR = B1h)

Bit	7	6	5	4	3	2	1	0
Reset	0	0	0	0	0	0	0	0
CPU Access	R/W	R/W	R/W	R/W	R/W	R/W	R/W	R/W

Note: R/W = Read/Write.

Bit Position	Value	Description
[7:0] CS_LBR	00h– FFh	<p>For Memory Chip Selects (CS_IO = 0) This bit specifies the lower bound of the Chip Select address range. The upper byte of the address bus, ADDR[23:16], is compared to the values contained in these registers for determining if a Memory Chip Select signal should be generated.</p> <p>For I/O Chip Selects (CS_IO = 1) This bit specifies the Chip Select address value. ADDR[11:4] is compared to the values contained in these registers for determining if an I/O Chip Select signal should be generated.</p>

Chip Select x Upper Bound Register

For Memory Chip Selects, the Chip Select x Upper Bound register, detailed in [Table 19](#), defines the upper bound of the address range for which the corresponding Chip Select (if enabled) can be active. For I/O Chip Selects, this register produces no effect. The reset state for the Chip Select 0 Upper Bound register is FFh, while the reset state for the 3 other Chip Select upper bound registers is 00h.

Table 19. Chip Select x Upper Bound Register
(CS0_UBR = A9h, CS1_UBR = ACh, CS2_UBR = AFh, CS3_UBR = B2h)

Bit	7	6	5	4	3	2	1	0
CS0 Reset	1	1	1	1	1	1	1	1
CS1 Reset	0	0	0	0	0	0	0	0
CS2 Reset	0	0	0	0	0	0	0	0
CS3 Reset	0	0	0	0	0	0	0	0
CPU Access	R/W	R/W	R/W	R/W	R/W	R/W	R/W	R/W

Note: R/W = Read/Write.

Bit Position	Value	Description
[7:0] CS_UBR	00h– FFh	This bit specifies the upper bound of the Chip Select address range. The upper byte of the address bus, ADDR[23:16], is compared to the values contained in these registers for determining if a Chip Select signal should be generated.

Chip Select x Control Register

The Chip Select x Control register, detailed in [Table 20](#), enables the Chip Selects, specifies the type of Chip Select, and sets the number of WAIT states. The reset state for the Chip Select 0 Control register is $E8h$, while the reset state for the 3 other Chip Select control registers is $00h$.

Table 20. Chip Select x Control Register
(CS0_CTL = AAh, CS1_CTL = ADh, CS2_CTL = B0h, CS3_CTL = B3h)

Bit	7	6	5	4	3	2	1	0
CS 0 Reset	1	1	1	0	1	0	0	0
CS 1 Reset	0	0	0	0	0	0	0	0
CS 2 Reset	0	0	0	0	0	0	0	0
CS 3 Reset	0	0	0	0	0	0	0	0
CPU Access	R/W	R/W	R/W	R/W	R/W	R/W	R/W	R/W

Note: R/W = Read/Write.

Bit Position	Value	Description
[7:5] CS_WAIT	000	0 WAIT states are inserted when this Chip Select is active.
	001	1 WAIT state is inserted when this Chip Select is active.
	010	2 WAIT states are inserted when this Chip Select is active.
	011	3 WAIT states are inserted when this Chip Select is active.
	100	4 WAIT states are inserted when this Chip Select is active.
	101	5 WAIT states are inserted when this Chip Select is active.
	110	6 WAIT states are inserted when this Chip Select is active.
	111	7 WAIT states are inserted when this Chip Select is active.
4 CS_IO	0	An address match results in a Memory Chip Select.
	1	An address match results in an I/O Chip Select.
3 CS_EN	0	Chip Select is disabled.
	1	Chip Select is enabled.
[2:0]	000	Reserved—must be 000.

Random Access Memory

The eZ80190 device features an 8KBx8 single-port data Random Access Memory (RAM) for general-purpose use and a 1KBx8 dual-port static RAM for use with the Multiply-Accumulator unit. Both RAM spaces can be individually enabled or disabled, and can be relocated to the top of any 64KB page in memory. Data is passed to and from the two RAM spaces via the 8-bit data bus, DATA[7:0]. The dual-port MACC RAM can be used with the Multiply-Accumulator or as additional general-purpose RAM, if required. For details about using the MACC RAM with the Multiply-Accumulator, see [MACC RAM](#) on page 122.

The general-purpose data RAM occupies the memory addresses range {RAM_ADDR_U[7:0], E000h} to {RAM_ADDR_U[7:0], FFFFh}. The Multiply-Accumulator dual-port RAM occupies the address range {RAM_ADDR_U[7:0], DC00h} to {RAM_ADDR_U[7:0], DFFFh}. An example of the memory mapping for the two on-chip RAM spaces is illustrated in [Figure 10](#). In this example, the RAM Address Upper Byte register, RAM_ADDR_U, is set to 7Ah. [Figure 10](#) is not drawn to scale, as RAM memories occupy only a very small fraction of the available 16MB address space.

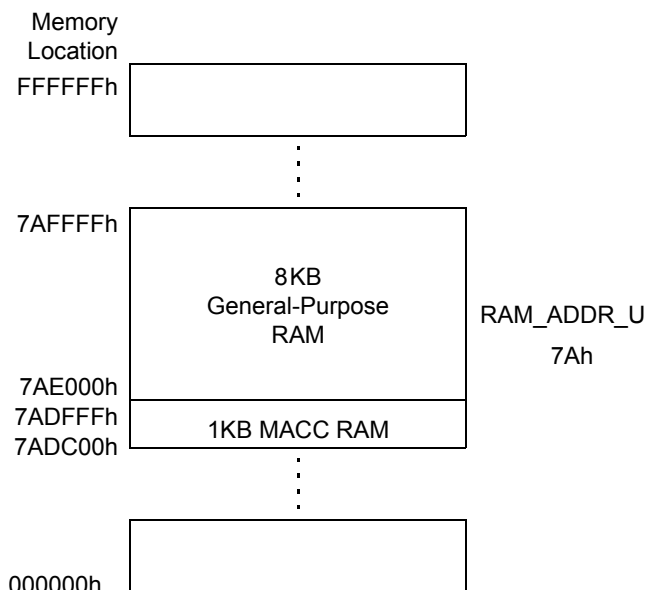


Figure 10. On-Chip RAM Memory Addressing Example

When enabled, on-chip RAM assumes priority over all Memory Chip Selects that may also be enabled in the same address space. If an address is generated in a

range that is covered by both the RAM address space and a particular Memory Chip Select address space, the Memory Chip Select is not activated.

RAM Control Registers

RAM Control Register

The internal RAM spaces, data RAM and Multiply-Accumulator RAM, can be enabled by setting corresponding bits in this register.

**Table 21. RAM Control Register
(RAM_CTL=B4h)**

Bit	7	6	5	4	3	2	1	0
Reset	0	0	0	0	0	0	0	0
CPU Access	R/W	R/W	R	R	R	R	R	R

Note: R/W = Read/Write.

Bit Position	Value	Description
7	0	On-chip general-purpose RAM is disabled.
GPRAM_EN	1	On-chip general-purpose RAM is enabled.
6	0	On-chip multiply-accumulator RAM is disabled.
MACRAM_EN	1	On-chip multiply-accumulator RAM is enabled.
[5:0]	000000	Reserved

RAM Address Upper Byte Register

The RAM_ADDR_U register defines the upper byte of the address for the two on-chip RAM blocks—general-purpose RAM and MACC RAM. If either or both of these on-chip RAM blocks are enabled, their addresses assume priority over any Chip Selects. The external Chip Select signals are not asserted if the corresponding RAM address is enabled.

**Table 22. RAM Address Upper Byte Register
(RAM_ADDR_U=B5h)**

Bit	7	6	5	4	3	2	1	0
Reset	0	0	0	0	0	0	0	0
CPU Access	R/W	R/W	R/W	R/W	R/W	R/W	R/W	R/W

Note: R/W = Read/Write.

Bit Position	Value	Description
[7:0] RAM_ADDR_U	00h– FFh	These bits define the upper byte of the RAM address. When on-chip general-purpose RAM is enabled, the general-purpose RAM address space ranges from {RAM_ADDR_U, E000h} to {RAM_ADDR_U, FFFFh}. When on-chip MACC RAM is enabled, the MACC RAM address space ranges from {RAM_ADDR_U, DC00h} to {RAM_ADDR_U, DFFFh}. On-chip RAM is prioritized higher than all other Memory Chip Selects. If the enabled RAM and Chip Select addresses overlap, the external Chip Select is not asserted.

Universal ZiLOG Interface

The eZ80190 device features two on-chip Universal ZiLOG Interface (UZI) devices. Each UZI contains three serial communication controller blocks: a Serial Peripheral Interface (SPI), a Universal Asynchronous Receiver/Transmitter (UART), and an Inter-Integrated Circuit serial bus (I²C). For each UZI device, any one of these three communication controllers can be enabled. The UZI devices are connected to General-Purpose I/O pins on Port C (UZI 1) and Port D (UZI 0). Ports C and D must be configured for alternate-function I/O to allow the UZI devices to communicate via the Port C and D pins. Each UZI also contains control registers and a Baud Rate Generator (BRG) that generates a lower-frequency clock for the SPI and UART devices. The I²C block features its own clock generator. The entire UZI block, including the Baud Rate Generator, is inactive when none of the serial devices are selected. [Figure 11](#) illustrates the UZI block diagram.

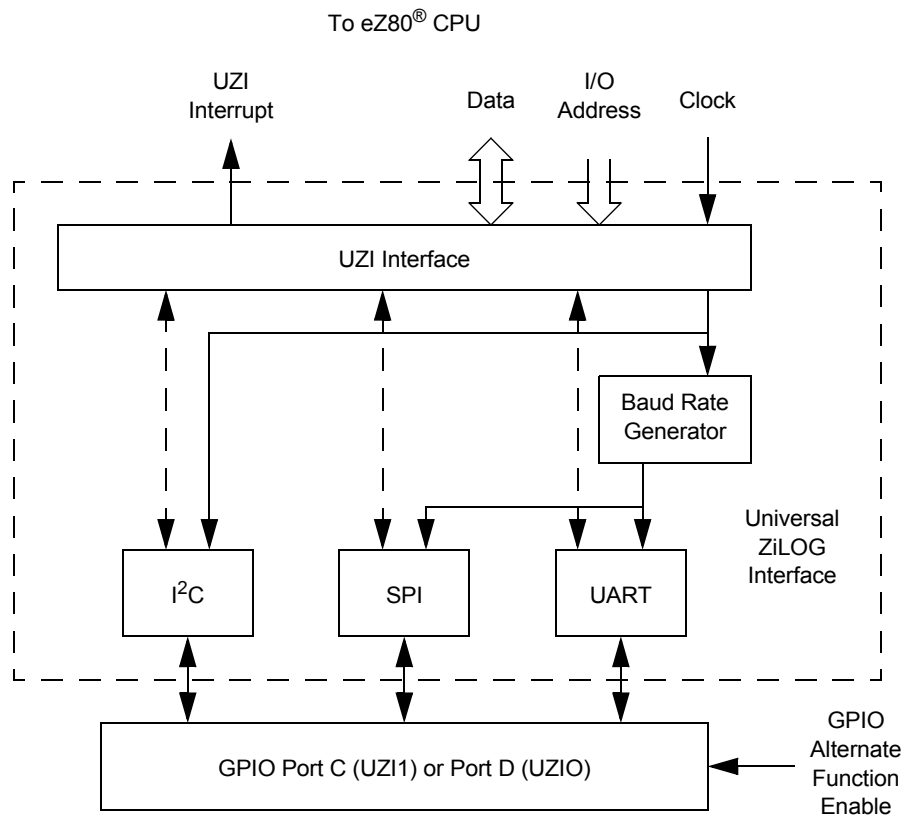


Figure 11. UZI Block Diagram

See [Serial Peripheral Interface](#), [Universal Asynchronous Receiver/Transmitter](#), and [I²C Serial I/O Interface](#) chapters for detailed operating information. A description of the UZI Baud Rate Generator and the UZI control registers appear in this chapter.

Baud Rate Generator

The Baud Rate Generator (BRG) is located within the UZI, but outside the three serial communication controllers. The Baud Rate Generator creates a lower frequency clock from the high-frequency system clock provided as an input to each UZI. Baud Rate Generator output is used as the clock source by the SPI and the UART. The I²C device generates its timing directly from the primary system clock.

Baud Rate Generator Functional Description

The Baud Rate Generator consists of a 16-bit downcounter, two registers, and associated decoding logic. The Baud Rate Generator's initial value is defined by the two BRG Divisor Latch registers, {BRGx_DLR_H, BRGx_DLR_L}. At the rising edge of each system clock, the BRG decrements until it reaches the value 0001h. On the next system clock rising edge, the BRG reloads the initial value from {BRGx_DLR_H, BRGx_DLR_L} and outputs a pulse to indicate the end-of-count. Calculate the BRG output frequency with the following equation:

$$\text{BRGx Output Frequency} = \frac{\text{System Clock Frequency}}{\{\text{BRGx_DLR_H, BRGx_DLR_L}\}}$$

Upon RESET, the 16-bit BRG divisor value resets to 0002h. A minimum BRG divisor value of 0001h is also valid, and effectively bypasses the BRG. A software Write to either the Low- or High-byte registers for the BRG Divisor Latch causes both the Low and High bytes to load into the BRG counter, and causes the count to restart.

The divisor registers can only be accessed if bit 7 of the UART Line Control register (UARTx_LCTL) is set to 1. After reset, this bit is reset to 0.

Recommended Usage of the Baud Rate Generator

The following is the normal sequence of operations that should occur after the eZ80190 device is powered on to configure the UZI Baud Rate Generator:

- Assert and deassert RESET
- Set UARTx_LCTL[7] to 1 to enable access of the BRG divisor registers
- Program the BRGx_DLR_L and BRGx_DLR_H registers
- Clear UARTx_LCTL[7] to 0 to disable access of the BRG divisor registers.

UZI and BRG Control Registers

UZI Control Registers

The UZI Control registers select between the three available serial communication controllers: I²C, SPI and UART. Each of the two UZI devices on the eZ80190 device features its own UZI Control register.

Table 23. UZI Control Registers
(UZI0_CTL=CFh, UZI1_CTL=DFh)

Bit	7	6	5	4	3	2	1	0
Reset	0	0	0	0	0	0	0	0
CPU Access	R	R	R	R	R	R	R/W	R/W

Note: R = Read Only; R/W = Read/Write.

Bit Position	Value	Description
[7:2]	000000	Reserved
[1:0]	00	All UZI devices are disabled.
UZI_MODE	01	UART is enabled.
	10	SPI is enabled.
	11	I ² C is enabled.

BRG Divisor Latch Registers—Low Byte

This register holds the Low byte of the 16-bit divisor count loaded by the processor for baud rate generation. The 16-bit clock divisor value is returned by {BRGx_DLR_H, BRGx_DLR_L}, where x is either 0 or 1 to identify the two available UZI devices. Upon RESET, the 16-bit BRG divisor value resets to 0002h. The initial 16-bit divisor value must be between 0002h and FFFFh as the values 0000h and 0001h are invalid and proper operation is not guaranteed. Thus the minimum BRG clock divisor ratio is 2.

A write to either the Low or High byte registers for the BRG Divisor Latch causes both bytes to be loaded into the BRG counter and the count restarted.

Bit 7 of the associated UART Line Control register (UARTx_LCTL) must be set to 1 to access this register for each UZI device. See [UART Line Control Register](#) (UARTx_LCTL) on page 75 for more information.

The BRGx_DLR_L registers share the same address space with the UARTx_RBR and UARTx_THR registers. Bit 7 of the associated UART Line Control register (UARTx_LCTL) must be set to 1 to enable access for this register within each UZI device.

Table 24. BRG Divisor Latch Registers—Low Byte
BRG0_DLR_L = C0h, BRG1_DLR_L = D0h

Bit	7	6	5	4	3	2	1	0
Reset	0	0	0	0	0	0	0	0
CPU Access	R/W	R/W	R/W	R/W	R/W	R/W	R/W	R/W

Note: R = Read Only; R/W = Read/Write.

Bit Position	Value	Description
[7:0] BRG_DLR_L	00h– FFh	These bits represent the Low byte of the 16-bit Baud Rate Generator divider value. The complete BRG divisor value is returned by {BRG_DLR_H, BRG_DLR_L}.

BRG Divisor Latch Registers—High Byte

This register holds the High byte of the 16-bit divisor count loaded by the processor for baud rate generation. The 16-bit clock divisor value is returned by {BRGx_DLR_H, BRGx_DLR_L} where x is either 0 or 1 to identify the two available UZI devices. Upon RESET, the 16-bit BRG divisor value resets to 0002h. The initial 16-bit divisor value must be between 0002h and FFFFh because the values 0000h and 0001h are invalid, and proper operation is not guaranteed. Therefore, the minimum BRG clock divisor ratio is 2.

A write to either the Low- or High-byte registers for the BRG Divisor Latch causes both bytes to load into the BRG counter, and causes the count to restart.

Bit 7 of the associated UART Line Control register (UARTx_LCTL) must be set to 1 to access this register for each UZI device. See [UART Line Control Register \(UARTx_LCTL\)](#) on page 75 for more information.

The BRGx_DLR_H registers share the same address space with the UARTx_IER registers. Bit 7 of the associated UART Line Control register (UARTx_LCTL) must be set to 1 to enable access for this register within each UZI device.

**Table 25. BRG Divisor Latch Registers—High Byte
(BRG0_DLR_H = C1h, BRG1_DLR_H = D1h)**

Bit	7	6	5	4	3	2	1	0
Reset	0	0	0	0	0	0	0	0
CPU Access	R/W	R/W	R/W	R/W	R/W	R/W	R/W	R/W

Note: R = Read Only; R/W = Read/Write.

Bit Position	Value	Description
[7:0] BRG_DLR_H	00h– FFh	These bits represent the High byte of the 16-bit Baud Rate Generator divider value. The complete BRG divisor value is returned by {BRG_DLR_H, BRG_DLR_L}.

Universal Asynchronous Receiver/Transmitter

The UART module implements all of the logic required to support asynchronous communications protocol. The module also implements two separate 16-byte FIFOs for both transmit and receive. A block diagram of the UART is illustrated in Figure 12.

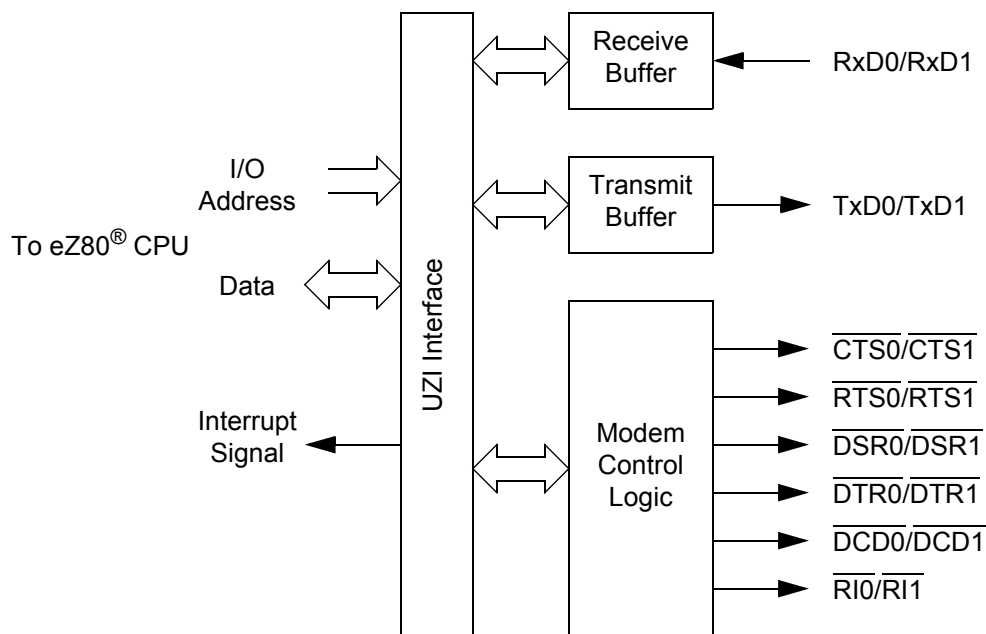


Figure 12. UART Block Diagram

The UART module provides the following asynchronous communications protocol related features/functions.

- 5, 6, 7 or 8-bit data transmission
- Even/odd or no parity bit generation and detection
- Start and stop bit generation and detection (supports up to two stop bits)
- Line break detection and generation
- Receiver overrun and framing error detection
- Logic and associated I/O to provide modem hand-shake capability

UART Functional Description

The core uses an externally-provided clock from the Baud Rate Generator for the serial transmit/receive function. The UART module supports all of the various options in the asynchronous transmission and reception protocol including:

- 5 to 8-bit transmit/receive
- Start bit generation and detection
- Parity generation and detection
- Stop bit generation and detection
- Break generation and detection

The UART contains 16-byte FIFOs in each direction. The FIFOs can be enabled or disabled by the application. The receive FIFO features trigger-level detection logic, which enables the processor to block transfer data bytes from the receive FIFO.

The UART data transfer rate is calculated in the following equation:

$$\text{UART Data Transfer Rate (bits/s)} = \frac{\text{System Clock Frequency}}{16 \times \text{Baud Rate Generator Divisor}}$$

UART Functions

The UART function implements:

- The transmitter and associated control logic
- The receiver and associated control logic
- The modem interface and associated logic

UART Transmitter

The transmitter block controls the data transmitted on the TXD output. It implements the FIFO, accessed through the UART_x_THR register, the transmit shift register, the parity generator, and control logic for the transmitter to control parameters for the asynchronous communications protocol.

The UART_x_THR is a Write Only register. The processor writes the data byte to be transmitted into this register. In FIFO mode, up to 16 data bytes can be written through the UART_x_THR register. The data byte from the FIFO is transferred to the transmit shift register and transmitted on the TXD pin. After SYNC_RESET, the UART_x_THR register is empty so the Transmit Holding Register Empty



(THRE) bit (bit 5 of the UARTx_LSR register) is set to 1 and an interrupt is sent to the processor (if interrupts are enabled). The processor can reset this interrupt by loading data into the UARTx_THR register, which clears the transmitter interrupt.

The transmit shift register places the byte to be transmitted on the TXD signal serially. The least significant bit of the byte to be transmitted is shifted out first and the most significant bit is shifted out last. The control logic within the block adds the asynchronous communications protocol bits to the data byte being transmitted. The transmitter block obtains the parameters for the protocol from the bits programmed through the UARTx_LCTL register. The TXD output is set to 1 if the transmitter is idle (it does not contain any data to be transmitted).

The transmitter operates with the Baud Rate Generator (BRG) clock. The data bits are placed on the TXD output one time every 16 BRG clock cycles. The transmitter block also implements a parity generator and attaches the parity bit with the byte if programmed to do so.

UART Receiver

The receiver block controls data reception from the RXD signal. The receiver block implements a receiver shift register, receiver line error condition monitoring logic and receiver data ready logic. It also implements a parity checker.

The processor reads received data from UARTx_RBR, which is a Read Only register. The condition of the UARTx_RBR register is monitored by the DR bit (bit 0 of the UARTx_LSR register). The DR bit is set to 1 when a data byte is received and transferred to the UARTx_RBR register from the receiver shift register. The DR bit is reset only when the processor reads all received data bytes. If the number of bits received is less than eight, the unused most significant bits of the data byte read are reset to 0.

The receiver uses the clock from the BRG input of the UZI for receiving data. This clock must be 16 times the required baud rate. The receiver synchronizes the shift clock on the falling edge of the RXD input start bit. It then receives a complete byte according to the set parameters. The receiver also implements logic to detect framing errors, parity errors, overrun errors, and break signals.

UART Modem Control

The modem control logic provides two outputs and four inputs for handshaking with the modem. Any change in the modem status inputs, except \overline{RI} , is detected. An interrupt can then be generated. For \overline{RI} , an interrupt is generated only when the trailing edge of the \overline{RI} is detected. The module also provides a loop mode for self-diagnostic purposes.

UART Interrupts

There are five different sources of interrupts from the UART. These five sources of interrupts are:

- Transmitter
- Receiver (three different interrupts)
- Modem status

UART Transmitter Interrupt

The transmitter interrupt is generated if there is no data available for transmission. This interrupt can be disabled using the individual interrupt enable bit, or cleared by writing data into the UARTx_THR register.

UART Receiver Interrupts

A receiver interrupt can be generated by three possible events. The first event, a receiver data ready interrupt event, indicates that one or more data bytes were received and are ready to be read. If the FIFO is enabled, and the trigger level is set, then this interrupt is generated if the number of bytes in the receive FIFO is greater than or equal to the trigger level. If the FIFO is not enabled, the interrupt is generated if the receive buffer contains a data byte. This interrupt is cleared by reading the UARTx_RBR.

The second interrupt source is the receiver time-out. A receiver time-out interrupt is generated when there are fewer data bytes in the receive FIFO than the trigger level. There are no READs and writes to or from the receive FIFO for four consecutive byte times. After the receiver time-out interrupt is generated, it is cleared only after it empties the entire receive FIFO.

The first two interrupt sources from the receiver (data ready and time-out) share an interrupt enable bit.

The third source of a receiver interrupt is a line status error indicating an error in byte reception. This error may result from:

- Incorrect received parity
- Incorrect framing (the stop bit is not detected by the receiver at the end of the byte)
- Receiver overrun condition
- A Break Indication being detected on the receive data input

An interrupt due to one of the above conditions is cleared when the UARTx_LSR register is read. In the case of FIFO mode, a line status interrupt is generated only



after the received byte with an error reaches the top of the FIFO and is ready to be read.

A line status interrupt is activated (provided this interrupt is enabled) as long as the read pointer of the receive FIFO points to the location of the FIFO that contains a byte with the error. The interrupt is immediately cleared when the UARTx_LSR register is read. The ERR bit of the UARTx_LSR register is active as long as an error byte is present in the receive FIFO.

UART Modem Status Interrupt

The modem status interrupt is generated if there is any change in state of the modem status inputs to the UART. This interrupt is cleared when the processor reads the UARTx_MSR register.

UART Recommended Usage

The following is the standard sequence of events that occurs in the eZ80190 device using the UART. A description of each follows.

- Module reset
- Control transfers to configure UART operation
- Data transfers

Module Reset

Upon reset, all internal registers return to their default values. All command status registers are programmed with their default values and the FIFOs are flushed.

Control Transfers

Based on the application requirement, the data transfer baud rate is determined and the BRG is configured to generate a 16X clock frequency, provided at the BRG signal input. Interrupts are disabled and communication control parameters are programmed in the UARTx_LCTL register. The FIFO configuration is determined and the receive trigger levels are set in the UARTx_FCTL register. The status registers, UARTx_LSR and UARTx_MSR, are read to ensure that no interrupt sources are active. Interrupts are enabled (except for the transmit interrupt) and the application is ready to use the module for transmission and reception.

Data Transfers

Transmit. To transmit data, the application enables the transmit interrupt. An interrupt is immediately expected in response to this interrupt. The application reads the UARTx_IIR register and determines that the interrupt occurs because of an empty UARTx_THR register. When the application determines this occurrence,

the application writes the transmit data bytes to the UARTx_THR register. The number of bytes that the application writes depends on whether or not the FIFO is enabled. If the FIFO is enabled, the application can write 16 bytes at one time. If the FIFO is not enabled, the application can Write Only one byte at a time. As a result of the first write, the interrupt is deactivated. The processor then waits for the next interrupt. When the interrupt is raised by the UART module, the processor repeats the same process until it exhausts all of the data for transmission.

To control and check the modem status, the application sets up the modem by writing to UARTx_MCTL register and reading from the UARTx_MSR register before starting the above process.

Receive. The receiver is always enabled and continually checks for the start bit on the RXD input signal. When an interrupt is raised by the UART module, the application reads the UARTx_IIR register and determines the cause of the interrupt. If the cause is a line status interrupt, the application reads the UARTx_LSR register, reads the data byte, then discards the byte or takes other action. If the interrupt is caused by a RECEIVE DATA READY condition, the application alternately reads the UARTx_LSR and UARTx_RBR registers and removes all received data bytes. It reads the UARTx_LSR register before reading the UARTx_RBR register to determine if there is a NO ERROR condition in the received data.

To control and check modem status, the application sets up the modem by writing to the UARTx_MCTL register and reading the UARTx_MSR register before starting the above process.

Poll Mode Transfers

When interrupts are disabled, all data transfers are referred to as poll mode transfers. In poll mode transfers, the application must continually poll the UARTx_LSR register to transmit or receive data without enabling the interrupts. This condition is also true for the UARTx_MSR register. If the interrupts are not enabled, the data in the UARTx_IIR register cannot be used to determine the cause of an interrupt.

UART Registers

After a system reset, all UART registers are set to their default values. Any writes to unused registers or register bits are ignored. READs return a value of 0. For compatibility with future versions of this part, unused bits within a register should always be written with a value of 0. READ/WRITE attributes, reset conditions, and bit descriptions of all UART registers are provided in this section.

UART Transmit Holding Register

If less than eight bits are programmed for transmission, the lower bits of the byte written to the UART Transmit Holding Register, indicated in [Table 26](#), are selected

for transmission. The transmit FIFO is mapped at this address. The user can write up to 16 bytes for transmission at one time to this address if the FIFO is enabled by the application. If the FIFO is disabled, this buffer is only one byte deep. These registers share the same address space as the UARTx_RBR and BRGx_DLR_L registers.

**Table 26. UART Transmit Holding Registers
(UART0_THR = C0h, UART1_THR = D0h)**

Bit	7	6	5	4	3	2	1	0
Reset	X	X	X	X	X	X	X	X
CPU Access	W	W	W	W	W	W	W	W

Note: W = Write Only.

Bit Position	Value	Description
[7:0] TXD	00h– FFh	Transmit data byte.

UART Receive Buffer Register

The bits in this register reflect the data received. If less than eight bits are programmed for the receive function, the lower bits of the byte reflect the bits received, whereas upper unused bits are 0. The receive FIFO is mapped at this address. If the FIFO is disabled, this buffer is only one byte deep.

The registers in the UART Receive Buffer, indicated in [Table 27](#), share the same address space as the UARTx_THR and BRGx_DLR_L registers.

**Table 27. UART Receive Buffer Registers
(UART0_RBR = C0h, UART1_RBR = D0h)**

Bit	7	6	5	4	3	2	1	0
Reset	0	0	0	0	0	0	0	0
CPU Access	R	R	R	R	R	R	R	R

Note: R = Read Only.

Bit Position	Value	Description
[7:0] RXD	00h– FFh	Receive data byte.

UART Interrupt Enable Register

The UART_x_IER register, indicated in [Table 28](#), is used to enable and disable UART interrupts. The UART_x_IER registers share the same I/O addresses as the BRG_x_DLR_H registers.

**Table 28. UART Interrupt Enable Registers
(UART0_IER = C1h, UART1_IER = D1h)**

Bit	7	6	5	4	3	2	1	0
Reset	0	0	0	0	0	0	0	0
CPU Access	R/W	R/W	R/W	R/W	R/W	R/W	R/W	R/W

Note: R/W = Read/Write.

Bit Position	Value	Description
[7:4]	0000	Reserved
3 MIIE	0	The modem interrupt on edge detect of status inputs is disabled.
	1	The modem interrupt on edge detect of status inputs is enabled.
2 LSIE	0	The line status interrupt is disabled.
	1	The line status interrupt is enabled for receive data errors: incorrect parity bit received, framing error, overrun error, or break detection.
1 TIE	0	The transmit interrupt is disabled.
	1	The transmit interrupt is enabled. An interrupt is generated when the transmit FIFO buffer is empty indicating no bytes are available for transmission.
0 RIE	0	The receive interrupt is disabled.
	1	The receive interrupt and receiver time-out interrupt are enabled. An interrupt is generated if the FIFO buffer contains data ready for a READ or if the receiver times out.

UART Interrupt Identification Register

The Read Only UART Interrupt Identification register, indicated in [Table 29](#), allows the user to check the status of interrupts and whether the FIFO is enabled. These registers share the same I/O addresses as the UARTx_FCTL registers. Status codes for the UARTx_IIR register are provided in [Table 30](#).

**Table 29. UART Interrupt Identification Registers
(UART0_IIR = C2h, UART1_IIR = D2h)**

Bit	7	6	5	4	3	2	1	0
Reset	0	0	0	0	0	0	0	1
CPU Access	R	R	R	R	R	R	R	R

Note: R = Read Only.

Bit Position	Value	Description
[7:6] FSTS	00 11	FIFO is disabled. FIFO is enabled.
[5:4]	00	Reserved
[3:1] INSTS	000– 110	Interrupt Status Code The code indicated in these three bits is valid only if the interrupt bit is 1. If two internal interrupt sources are active and their respective enable bits are High, only the higher priority interrupt is seen by the application. The lower priority interrupt code is indicated only after the higher priority interrupt is serviced. Table 30 lists interrupt status codes.
0 INTBIT	0 1	There is an active interrupt source within the UART. There is not an active interrupt source within the UART.

Table 30. UART Interrupt Status Codes

INSTS Value	Priority	Interrupt Type
011	Highest	Receiver Line Status
010	Second	Receive Data Ready or Trigger Level
110	Third	Character Time-out
001	Fourth	Transmit Buffer Empty
000	Lowest	Modem Status

UART FIFO Control Registers

These registers, indicated in [Table 31](#), are used to monitor trigger levels, clear FIFO pointers, and enable or disable the FIFO. The UART_x_FCTL registers share the same I/O addresses as the UART_x_IIR registers.

Table 31. UART FIFO Control Registers
(UART0_FCTL = C2h, UART1_FCTL = D2h)

Bit	7	6	5	4	3	2	1	0
Reset	0	0	0	0	0	0	0	1
CPU Access	W	W	W	W	W	W	W	W

Note: W = Write Only.

Bit Position	Value	Description
[7:6] TRIG	00	The receive FIFO trigger level is set to 1. A receive data interrupt is generated when there is 1 byte in the FIFO. This bit is valid only if the FIFO is enabled.
	01	The receive FIFO trigger level set to 4. The receive data interrupt is generated when there are 4 bytes in the FIFO. This bit is valid only if the FIFO is enabled.
	10	The receive FIFO trigger level set to 8. The receive data interrupt is generated when there are 8 bytes in the FIFO. This bit is valid only if the FIFO is enabled.
	11	The receive FIFO trigger level set to 14. The receive data interrupt is generated when there are 14 bytes in the FIFO. This bit is valid only if the FIFO is enabled.
[5:3]	000b	Reserved—must be 000b.
1 CLRTXF	0	This bit produces no effect.
	1	This bit clears the transmit FIFO and resets the transmit FIFO pointer. This bit is valid only if the FIFO is enabled.
2 CLRRXF	0	This bit produces no effect.
	1	This bit clears the receive FIFO, clears the receive error FIFO, and resets the receive FIFO pointer. This bit is valid only if the FIFO is enabled.
0 FIFOEN	0	The transmit and receive FIFOs are disabled. The transmit and receive buffers are only one byte deep.
	1	The transmit and receive FIFOs are enabled.

UART Line Control Register

These registers, indicated in [Table 32](#), are used to control the communication control parameters. [Table 33](#) defines character length and stop bit parameters.

Table 32. UART Line Control Registers
(UART0_LCTL = C3h, UART1_LCTL = D3h)

Bit	7	6	5	4	3	2	1	0
Reset	0	0	0	0	0	0	0	0
CPU Access	R/W	R/W	R/W	R/W	R/W	R/W	R/W	R/W

Note: R/W = Read/Write.

Bit Position	Value	Description
7 DLAB	0	Access to the UART registers at I/O addresses C0h, C1h, D0h and D1h is enabled.
	1	Access to the Baud Rate Generator registers at I/O addresses C0h, C1h, D0h and D1h is enabled.
6 SB	0	Do not send a break signal.
	1	Send Break UART sends a continuous 0 on the transmit output from the next following bit boundary. The transmit data in the transmit shift register is ignored. After assigning this bit High, the TXD output is made 0 only after the bit boundary is reached. Just before assigning a 0 to TXD, it clears the transmit FIFO one time. Any new data written to the transmit FIFO during a break should be written only after the THRE bit of the UARTx_LSR register goes High. This new data is transmitted after the UART recovers from the break. After the break is removed, the UART recovers from break for the next BRG edge.
5 FPE	0	Do not force a parity error.
	1	Force a parity error. When this bit and the party enable bit (PEN) are both 1, an incorrect parity bit is transmitted with the data byte.
4 EPS	0	Use odd parity for transmission. The total number of 1 bit in the transmit data plus parity bit is odd.
	1	Use even parity for transmission. The total number of 1 bit in the transmit data plus parity bit is even.

Bit Position	Value	Description
3	0	Parity bit transmit and receive is disabled.
PEN	1	Parity bit transmit and receive is enabled. For transmit, a parity bit is generated and transmitted with every data character. For receive, the parity is checked for every incoming data character.
[2:0] CHAR	000– 111	UART Character Parameter Selection See Table 33 for a description of these values.

Table 33. UART Character Parameter Definition

CHAR[2:0]	Character Length (Tx/Rx Data Bits)	Stop Bits (Tx Stop Bits)
000	5	1
001	6	1
010	7	1
011	8	1
100	5	2
101	6	2
110	7	2
111	8	2

UART Modem Control Registers

These registers are used to control and check the modem status.

**Table 34. UART Modem Control Registers
(UART0_MCTL = C4h, UART1_MCTL = D4h)**

Bit	7	6	5	4	3	2	1	0
Reset	0	0	0	0	0	0	0	0
CPU Access	R/W	R/W	R/W	R/W	R/W	R/W	R/W	R/W

Note: R/W = Read/Write.

Bit Position	Value	Description
[7:5]	000b	Reserved—must be 000b.
4 LOOP	0 1	LOOP-BACK is not enabled. LOOP-BACK is enabled. The UART operates in internal LOOP-BACK mode. The transmit data output port is disconnected from the internal transmit data output and set to 1. The receive data input port is disconnected and internal receive data is connected to internal transmit data. The modem status input ports are disconnected and the four bits of the modem control register are connected as modem status inputs. The two modem control output ports (OUT1 & OUT2) are set to their inactive state.
3 OUT2	0–1	This bit does not function under normal operation. In LOOP-BACK mode, this bit is connected to the DCD bit in the UART Modem Status Register.
2 OUT1	0–1	This bit does not function under normal operation. In LOOP-BACK mode, this bit is connected to the RI bit in the UART Modem Status Register.
1 RTS	0–1	Request to Send Under normal operation, the $\overline{\text{RTS}}$ output port is the inverse of this bit. In LOOP-BACK mode, this bit is connected to the CTS bit in the UART Modem Status Register.
0 DTR	0–1	Data Terminal Ready Under normal operation, the $\overline{\text{DTR}}$ output port is the inverse of this bit. In LOOP-BACK mode, this bit is connected to the DSR bit in the UART Modem Status Register.

UART Line Status Registers

These registers are used to show the status of UART interrupts and registers.

**Table 35. UART Line Status Registers
(UART0_LSR = C5h, UART1_LSR = D5h)**

Bit	7	6	5	4	3	2	1	0
Reset	0	1	1	0	0	0	0	0
CPU Access	R	R	R	R	R	R	R	R

Note: R = Read Only.

Bit Position	Value	Description
7 ERR	0	This bit is always 0 when operating with the FIFO disabled. With the FIFO enabled, this bit is reset when the UARTx_LSR register is read and there are no more bytes with an error status in the FIFO.
	1	An error is detected in the FIFO. There is at least 1 parity, framing, or Break Indication (BI) error in the FIFO.
6 TEMT	0	The Transmit Holding Register FIFO is not empty, the Transmit Shift Register is not empty, or the transmitter is not idle.
	1	The Transmit Holding Register FIFO and the Transmit Shift Register are empty; the transmitter is idle. This bit cannot be set to 1 during the Break Indication (BI). This bit is set to 1 only after the BREAK command is removed.
5 THRE	0	The Transmit Holding Register FIFO is not empty.
	1	The Transmit Holding Register FIFO bit cannot be set to 1 during the Break Indication (BI). This bit is set to 1 only after the BREAK command is removed.
4 BI	0	The receiver does not detect a Break Indication. This bit is reset to 0 when the UARTx_LSR register is read.
	1	The receiver detects a Break Indication on the receive input line. This bit is set to 1 if the duration of the Break Indication on the receive data is longer than one character transmission time, the time depends on the programming of the UARTx_LSR register. In the case of a FIFO, only one null character is loaded into the receive FIFO with the framing error. The framing error is revealed to the eZ80 [®] whenever this particular string of data is read from the receive FIFO.

Bit Position	Value	Description
3 FE	0	No framing error is detected for the character at the top of the FIFO. This bit is reset to 0 when the UARTx_LSR register is read.
	1	A framing error is detected for the character at the top of the FIFO. This bit is set to 1 when the stop bit following the data/parity bit is logic 0.
2 PE	0	The received character at the top of the FIFO does not produce a parity error. This bit is reset to 0 when the UARTx_LSR register is read.
	1	The received character at the top of the FIFO contains a parity error.
1 OE	0	The received character at the top of the FIFO does not contain an overrun error. This bit is reset to 0 when the UARTx_LSR register is read.
	1	An overrun error is detected. If the FIFO is not enabled, this error indicates the data in the receive buffer register was not read before the next character was transferred into the receiver buffer register. If the FIFO is enabled, this error indicates the FIFO was already full when an additional character was received by the receiver shift register. The character in the receiver shift register is not placed into the receive FIFO.
0 DR	0	This bit is reset to 0 when the UARTx_RBR register is read or when all bytes are read from the receive FIFO.
	1	Data Ready If the FIFO is not enabled, this bit is set to 1 when a complete incoming character is transferred into the receiver buffer register from the receiver shift register. If the FIFO is enabled, this bit is set to 1 when a character is received and transferred to the receive FIFO.

UART Modem Status Registers

The UART Modem Status Registers, indicated in [Table 36](#), are used to show the status of the UART signals.

Table 36. UART Line Status Registers
(UART0_MSR = C6h, UART1_MSR = D6h)

Bit	7	6	5	4	3	2	1	0
Reset	X	X	X	X	X	X	X	X
CPU Access	R	R	R	R	R	R	R	R

Note: R = Read Only.

Bit Position	Value	Description
7 DCD	0–1	Data Carrier Detect In NORMAL mode, this bit reflects the inverted state of the $\overline{\text{DCDx}}$ input pin. In LOOP-BACK mode, this bit reflects the value of the $\text{UARTx_MCTL}[3] = \text{OUT2}$.
6 RI	0–1	Ring Indicator In NORMAL mode, this bit reflects the inverted state of the $\overline{\text{RIx}}$ input pin. In LOOP-BACK mode, this bit reflects the value of the $\text{UARTx_MCTL}[2] = \text{OUT1}$.
5 DSR	0–1	Data Set Ready In NORMAL mode, this bit reflects the inverted state of the $\overline{\text{DSRx}}$ input pin. In LOOP-BACK mode, this bit reflects the value of the $\text{UARTx_MCTL}[0] = \text{DTR}$.
4 CTS	0–1	Clear to Send In NORMAL mode, this bit reflects the inverted state of the $\overline{\text{CTSx}}$ input pin. In LOOP-BACK mode, this bit reflects the value of the $\text{UARTx_MCTL}[1] = \text{RTS}$.
3 DDCD	0–1	Delta Status Change of DCD This bit is set to 1 whenever the $\overline{\text{DCDx}}$ pin changes state. This bit is reset to 0 when the UARTx_MSR register is read.
2 TERI	0–1	Trailing Edge Change on RI This bit is set to 1 whenever a falling edge is detected on the $\overline{\text{RIx}}$ pin. This bit is reset to 0 when the UARTx_MSR register is read.
1 DDSR	0–1	Delta Status Change of DSR This bit is set to 1 whenever the $\overline{\text{DSRx}}$ pin changes state. This bit is reset to 0 when the UARTx_MSR register is read.
0 DCTS	0–1	Delta Status Change of CTS This bit is set to 1 whenever the $\overline{\text{CTSx}}$ pin changes state. This bit is reset to 0 when the UARTx_MSR register is read.

UART Scratch Pad Registers

The UARTx_SPR registers, indicated in [Table 37](#), can be used by the system as general-purpose Read/Write registers.

**Table 37. UART Line Control Registers
(UART0_SPR = C7h, UART1_SPR = D7h)**

Bit	7	6	5	4	3	2	1	0
Reset	0	0	0	0	0	0	0	0
CPU Access	R/W	R/W	R/W	R/W	R/W	R/W	R/W	R/W

Note: R/W = Read/Write.

Bit Position	Value	Description
[7:0] SPR	00h– FFh	UART scratch pad register is available for use as a general-purpose Read/Write register.

Serial Peripheral Interface

The Serial Peripheral Interface (SPI) is a synchronous interface allowing several SPI-type devices to be interconnected. The SPI is a full-duplex, synchronous, character-oriented communication channel that employs a four-wire interface. The SPI block consists of a transmitter, receiver, clock generator, and control unit. During an SPI transfer, data is sent and received simultaneously by both the master and the slave SPI devices.

In a serial peripheral interface, separate signals are required for data and clock. The eZ80190 device contains two SPI devices—one within each Universal ZiLOG Interface (UZI) block. The SPI devices may be configured as either master or slave. The connection of two SPI devices (one master and one slave) and the direction of data transfer is demonstrated in [Figure 13](#).

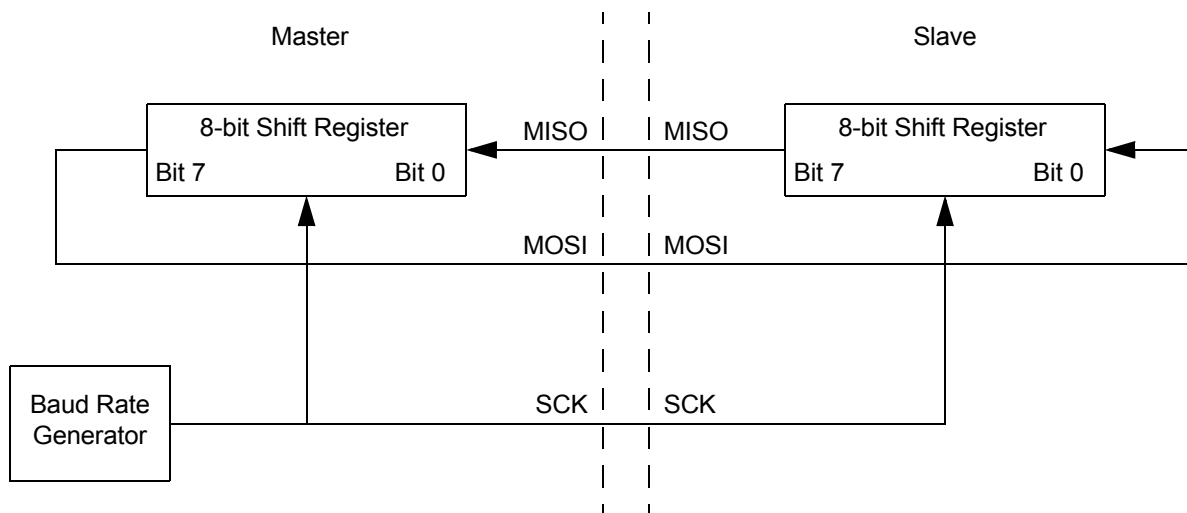


Figure 13. SPI Master—Slave Connection

SPI Signals

The four basic SPI signals (MISO, MOSI, \overline{SS} , and SCK) are discussed in the following paragraphs. Each signal is described in both MASTER and SLAVE modes.

Master In Slave Out

The Master In Slave Out (MISO) pin is configured as an input in a master device and as an output in a slave device. It is one of the two lines that transfer serial data, with the most significant bit sent first. The MISO pin of a slave device is

placed in a high-impedance state if the slave is not selected. When the SPI is not enabled by the UZI Control register, this signal operates in a high-impedance state.

Master Out Slave In

The Master Out Slave In (MOSI) pin is configured as an output in a master device and as an input in a slave device. It is one of the two lines that transfer serial data, with the most significant bit sent first. When the SPI is not enabled by the UZI Control register, this signal operates in a high-impedance state.

Slave Select

The active Low Slave Select (\overline{SS}) input signal is used to select a slave SPI device. It must be operating in a Low state prior to all data communication and must stay Low for the duration of the data transfer.

The \overline{SS} input signal on the master must be in a High state. If the \overline{SS} signal goes Low, a Mode Fault error flag (MODF bit) is set in the SPIx_SR register. See [SPI Status Register](#) (SPI0_SR = B7h, SPI1_SR = BBh) on page 88 for more information.

When the SPI Clock Phase (CPHA) bit = 0, the shift clock is the OR of \overline{SS} with SCK. In this clock phase mode, \overline{SS} must go High between successive characters in an SPI message. When CPHA = 1, \overline{SS} can remain Low for several SPI characters. In cases where there is only one SPI slave MCU, its \overline{SS} line could be tied Low as long as CPHA = 1 CLOCK mode is used. See [SPI Control Register](#) (SPI0_CTL = B6h, SPI1_CTL = BAh) on page 87 for more information on the CPHA bit.

Serial Clock

The Serial Clock (SCK) is used to synchronize data movement both in and out of the device through its MOSI and MISO pins. The master and slave are each capable of exchanging a byte of data during a sequence of eight clock cycles. Because SCK is generated by the master, the SCK pin becomes an input on a slave device. The SPI contains an internal divide-by-two clock divider. The SPI serial clock is one-half the frequency of the clock signal created by the UZI Baud Rate Generator, as shown by the following equation:

$$\text{SPI Data Transfer Rate (bits/s)} = \frac{\text{System Clock Frequency}}{2 \times \text{Baud Rate Generator Divisor}}$$

As demonstrated in [Figure 14](#) and [Table 38](#), four possible timing relations may be selected when using control bits CPOL and CPHA in the SPI Control register. See [SPI Control Register](#) (SPI0_CTL = B6h, SPI1_CTL = BAh) on page 87. Both the

master and slave must operate with the same timing. The master device always places data on the MOSI line a half-cycle before the clock edge (SCK signal), for the slave device to latch the data.

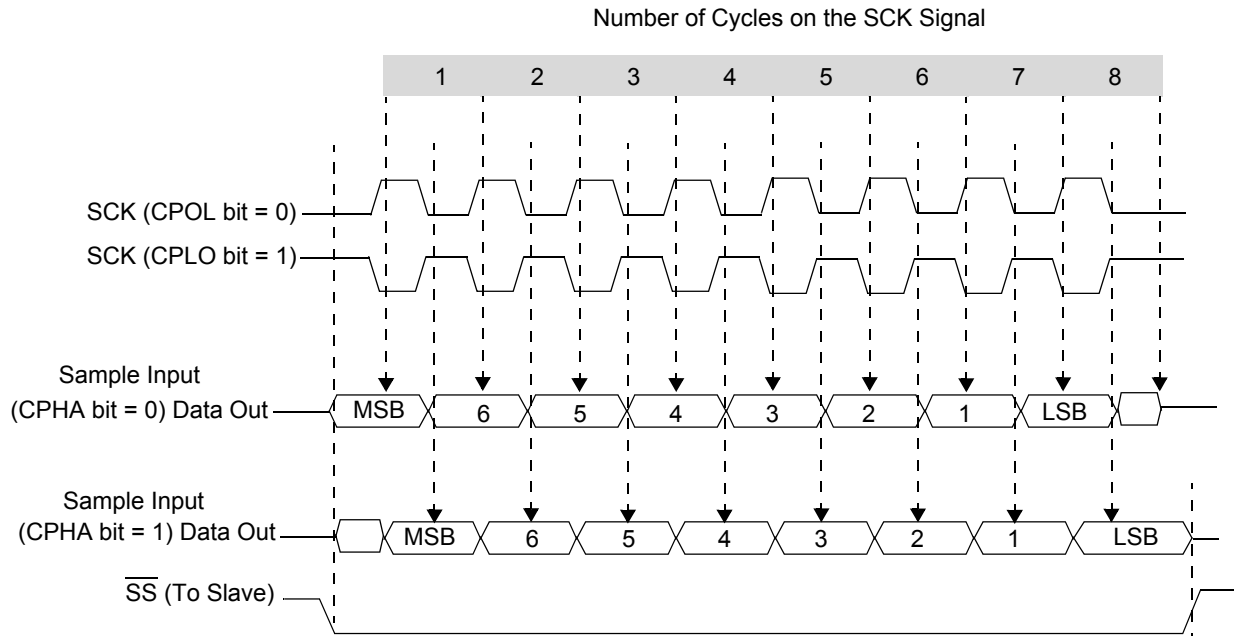


Figure 14. SPI Timing

Table 38. SPI Clock Phase and Clock Polarity Operation

CPHA	CPOL	SCK Transmit Edge	SCK Receive Edge	SCK Idle State	$\overline{\text{SS}}$ High Between Characters?
0	0	Falling	Rising	Low	Yes
0	1	Rising	Falling	High	Yes
1	0	Rising	Falling	Low	No
1	1	Falling	Rising	High	No

SPI Functional Description

Figure 15 illustrates a block diagram of the serial peripheral interface circuitry. When a master device transmits to a slave device via the MOSI signal, the slave device responds by sending data to the master via the master's MISO signal. The result is a full-duplex transmission, with both data out and data in synchronized

with the same clock signal. The byte transmitted is replaced by the byte received, eliminating the requirement for separate transmit-empty and receive-full status bits. A single status bit, SPIF, is used to signify that the I/O operation is completed, see [SPI Status Register](#) (SPI0_SR = B7h, SPI1_SR = BBh) on page 88.

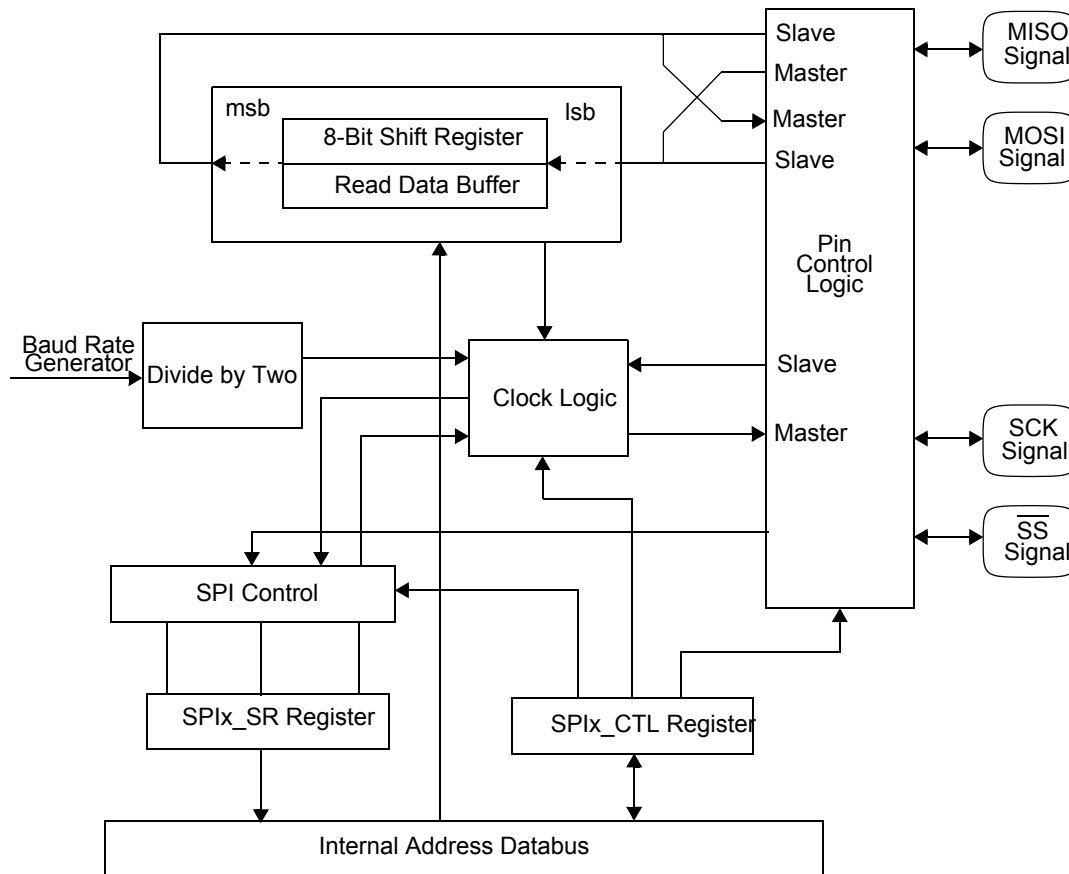


Figure 15. SPI Block Diagram

The SPI is double-buffered on read, but not on write. If a write is performed during data transfer, the transfer occurs uninterrupted, and the write is unsuccessful. This condition causes the WRITE COLLISION (WCOL) status bit in the SPIx_SR register to be set. After a data byte is shifted, the SPI flag bit (SPIF) of the SPIx_SR register is set.

In SPI MASTER mode, the SCK pin is an output. It idles High or Low, depending on the CPOL bit in the SPIx_CTL register, until data is written to the shift register. When data is written to the shift register, eight clocks are generated to shift the eight bits of data in both directions. The SCK signal then enters the IDLE state.

In SPI SLAVE mode, the start logic receives a logic Low from the \overline{SS} pin and a clock input at the SCK pin, and the slave is synchronized to the master. Data from the master is received serially from the slave MOSI signal and loads the 8-bit shift register. After the 8-bit shift register is loaded, its data is parallel transferred to the read buffer. During a write cycle data is written into the shift register, then the slave waits for the SPI master to initiate a data transfer, supply a clock signal, and shift the data out on the slave's MISO signal.

If the CPHA bit in the SPIx_CTL register is 0, a transfer begins when \overline{SS} pin signal goes Low and the transfer ends when \overline{SS} goes High after eight clock cycles on SCK. When the CPHA bit is set to 1, a transfer begins the first time SCK becomes active while \overline{SS} is Low and the transfer ends when the SPIF flag gets set.

SPI Flags

Mode Fault

The Mode Fault flag (SPIx_SR[4] = MODF) indicates that there may be a multi-master conflict for system control. The MODF bit is normally cleared to 0. It is only set to 1 when the master device's \overline{SS} pin is pulled Low. When a mode fault is detected, the following occurs:

1. The MODF flag (SPIx_SR[4]) is set to 1.
2. The SPI device is disabled by clearing the SPI_EN bit (SPIx_CTL[5]) to 0.
3. The MASTER_EN bit (SPIx_CTL[4]) is cleared to 0, forcing the device into SLAVE mode.
4. If enabled (IRQ_EN = SPIx_CTL[7] = 1), an SPI interrupt is generated.

Clearing the Mode Fault flag is performed by reading the SPI Status register. The other SPI control bits (SPI_EN and MASTER_EN) must be restored to their original states by user software after the Mode Fault flag is cleared.

Write Collision

The WRITE COLLISION flag (SPIx_SR[5] = WCOL) is set to 1 when an attempt is made to write to the SPI Transmit Shift register (SPIx_TSR) while data is being transferred. Clearing the WCOL bit is performed by reading SPIx_SR with the WCOL bit set.

SPI Registers

There are four registers in the Serial Peripheral Interface which provide control, status, and data storage functions. These registers are called the SPI Control register (SPIx_CTL), SPI Status register (SPIx_SR), SPI Receive Buffer register

(SPIx_RBR), and SPI Transmit Shift register (SPIx_TSR), where the x in each register name is either 0 or 1 depending on which UZI device the SPI is located within. The SPI registers are described in this section.

SPI Control Register

The SPI Control Register, indicated in [Table 39](#), is used to control and set up the serial peripheral interface.

Table 39. SPI Control Register
(SPI0_CTL = B6h, SPI1_CTL = BAh)

Bit	7	6	5	4	3	2	1	0
Reset	0	0	0	0	0	1	0	0
CPU Access	R/W	R	R/W	R/W	R/W	R/W	R	R

Note: R = Read Only; R/W = Read/Write.

Bit Position	Value	Description
7	0	The SPI system interrupt is disabled.
IRQ_EN	1	The SPI system interrupt is enabled.
6	0	Reserved—must be 0.
5	0	The SPI is disabled.
SPI_EN	1	The SPI is enabled.
4	0	When enabled, the SPI operates as a slave.
MASTER_EN	1	When enabled, the SPI operates as a master.
3	0	The master SCK pin idles in a Low (0) state.
CPOL	1	The master SCK pin idles in a High (1) state.
2	0	\overline{SS} must go High after a transfer of every byte of data.
CPHA	1	\overline{SS} can remain Low to transfer any number of data bytes.
[1:0]	00b	Reserved—must be 0.

SPI Status Register

The SPI Status Read Only register, indicated in [Table 40](#), returns the status of data transmitted using the serial peripheral interface. Reading the SPIx_SR register clears bits 7, 6, and 4 to a logical 0.

Table 40. SPI Status Register
(SPI0_SR = B7h, SPI1_SR = BBh)

Bit	7	6	5	4	3	2	1	0
Reset	0	0	0	0	0	1	0	0
CPU Access	R	R	R	R	R	R	R	R

Note: R = Read Only.

Bit Position	Value	Description
7 SPIF	0	The SPI data transfer is not finished.
	1	The SPI data transfer is finished. If enabled, an interrupt is generated. This bit flag is cleared to 0 by a read of the SPIx_SR register.
6 WCOL	0	An SPI write collision is not detected.
	1	An SPI write collision is detected. This bit flag is cleared to 0 by a read of the SPIx_SR registers.
5	0	Reserved—must be 0.
4 MODF	0	A mode fault (multimaster conflict) is not detected.
	1	A mode fault (multimaster conflict) is detected. This bit flag is cleared to 0 by a read of the SPIx_SR register.
[3:0]	0000b	Reserved—must be 0.

SPI Transmit Shift Register

The SPI Transmit Shift register (SPIx_TSR) is used by the SPI master to transmit data onto the SPI serial bus to the slave device. A write to the SPIx_TSR register places data directly into the shift register for transmission. A write to this register within an SPI device configured as a master initiates transmission of a byte of the data loaded into the register. After completing this transmission, the SPIF status bit (SPIx_SR[7]) is set to 1 in both the master and slave devices.

The SPI Transmit Shift Write Only registers share the same address space as the SPI Receive Buffer Read Only registers.

**Table 41. SPI Transmit Shift Register
(SPI0_TSR = B8h, SPI1_TSR = BCh)**

Bit	7	6	5	4	3	2	1	0
Reset	X	X	X	X	X	X	X	X
CPU Access	W	W	W	W	W	W	W	W

Note: W = Write Only.

Bit Position	Value	Description
7 TX_DATA	00h– FFh	SPI data transmission.

SPI Receive Buffer Register

The SPI Receive Buffer register (SPIx_RBR) is used by the SPI slave to receive data from the serial bus. A write to the (SPIx_TSR) register initiates reception of another byte, and only occurs in the master device. When the user reads the SPIx_RBR register, a buffer is being read. The first SPIF bit must be cleared by the time a second transfer of data from the shift register is initiated or an OVER-RUN condition exists. Should an overrun occur, the byte causing the overrun is lost.

The SPI Receive Buffer Read Only registers share the same address space as the SPI Transmit Shift Write Only registers.

**Table 42. SPI Receive Buffer Register
(SPI0_RBR = B8h, SPI1_RBR = BCh)**

Bit	7	6	5	4	3	2	1	0
Reset	X	X	X	X	X	X	X	X
CPU Access	R	R	R	R	R	R	R	R

Note: R = Read Only.

Bit Position	Value	Description
7 RX_DATA	00h– FFh	SPI data reception.

I²C Serial I/O Interface

I²C General Characteristics

The I²C serial I/O bus is a two-wire communication interface that can operate in four modes:

- MASTER TRANSMIT
- MASTER RECEIVE
- SLAVE TRANSMIT
- SLAVE RECEIVE

The I²C interface consists of the Serial Clock (SCL) and the Serial Data (SDA). Both SDA and SCL are bidirectional lines, connected to a positive supply voltage via an external pull-up resistor. When the bus is free, both lines are High. The output stages of devices connected to the bus must be configured as open-drain outputs. Data on the I²C bus can be transferred at a rate of up to 100kbps in STANDARD mode, or up to 400kbps in FAST mode. One clock pulse is generated for each data bit transferred.

Clocking Overview

If another device on the I²C bus drives the clock line when the I²C is operating in MASTER mode, the I²C synchronizes its clock to the I²C bus clock. The High period of the clock is determined by the device that generates the shortest High clock period. The Low period of the clock is determined by the device that generates the longest Low clock period.

A slave may stretch the Low period of the clock to slow down the bus master. The Low period can also be stretched for handshaking purposes. For both circumstances, this Low period can be stretched after each bit transfer or each byte transfer. The I²C stretches the clock after each byte transfer until the IFLG bit in the I2Cx_CTL register is cleared.

Bus Arbitration Overview

In MASTER mode, the I²C checks that each transmitted logic 1 appears on the I²C bus as a logic 1. If another device on the bus overrules and pulls the SDA signal Low, arbitration is lost. If arbitration is lost during the transmission of a data byte or a NACK bit, the I²C returns to the IDLE state. If arbitration is lost during the transmission of an address, the I²C switches to SLAVE mode so that it can recognize its own slave address or the general call address.

Data Validity

The data on the SDA line must be stable during the High period of the clock. The High or Low state of the data line can only change when the clock signal on the SCL line is Low, as illustrated in [Figure 16](#).

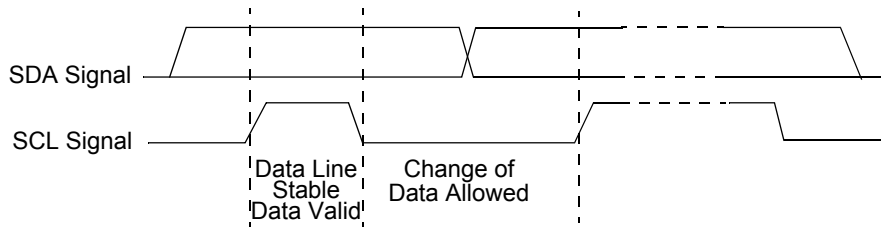


Figure 16. I²C Clock and Data Relationship

START and STOP Conditions

Within the I²C bus protocol, unique situations arise which are defined as START and STOP conditions. See [Figure 17](#). A High-to-Low transition on the SDA line while SCL is High indicates a START condition. A Low-to-High transition on the SDA line while SCL is High defines a STOP condition.

START and STOP conditions are always generated by the master. The bus is considered to be busy after the START condition. The bus is considered to be free at a defined time after the STOP condition.

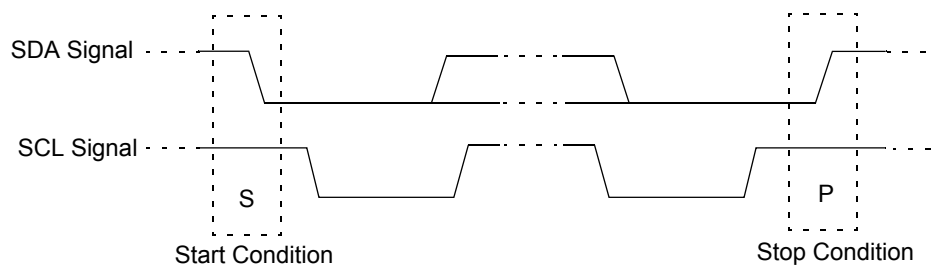


Figure 17. START and STOP Conditions In I²C Protocol

Transferring Data

Byte Format

Every character transferred on the SDA line must be a single 8-bit byte. The number of bytes that can be transmitted per transfer is unrestricted. Each byte must be followed by an I²C Acknowledge (ACK). Data is transferred with the most signifi-

cant bit (msb) first. See Figure 18. A receiver can hold the SCL line Low to force the transmitter into a WAIT state. Data transfer then continues when the receiver is ready for another byte of data and releases SCL.

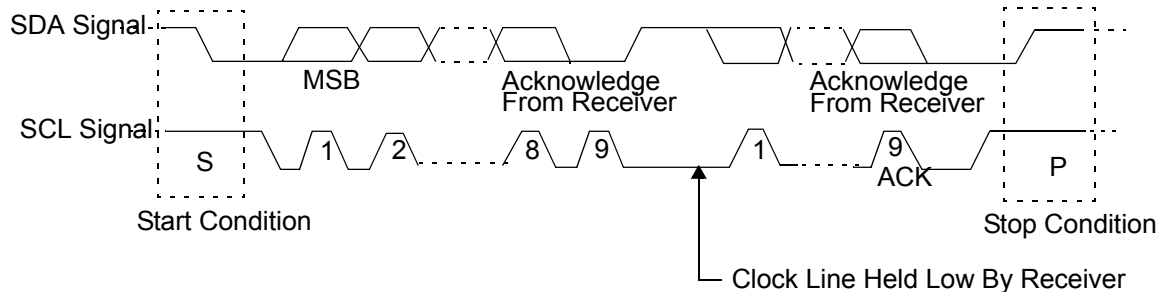


Figure 18. I²C Frame Structure

Acknowledge

Data transfer with an ACK function is obligatory. The ACK-related clock pulse is generated by the master. The transmitter releases the SDA line (High) during the ACK clock pulse. The receiver must pull down the SDA line during the ACK clock pulse so that it remains Low during the High period of this clock pulse. See Figure 19.

A receiver that is addressed is obliged to generate an ACK after each byte is received. When a slave receiver does not acknowledge the slave address (that is, the slave receiver is unable to receive because it is performing some real-time function), the data line must be left High by the slave. The master then generates a STOP condition to abort the transfer.

If a slave receiver acknowledges the slave address, but cannot receive any more data bytes, the master must abort the transfer. The abort is indicated by the slave generating the Not Acknowledge (NACK) on the first byte to follow. The slave leaves the data line High and the master generates the STOP condition.

If a master receiver is involved in a transfer, it must signal the end of the data transfer to the slave transmitter by not generating an ACK on the final byte clocked out of the slave. The slave transmitter must release the data line to allow the master to generate a STOP or a repeated START condition.

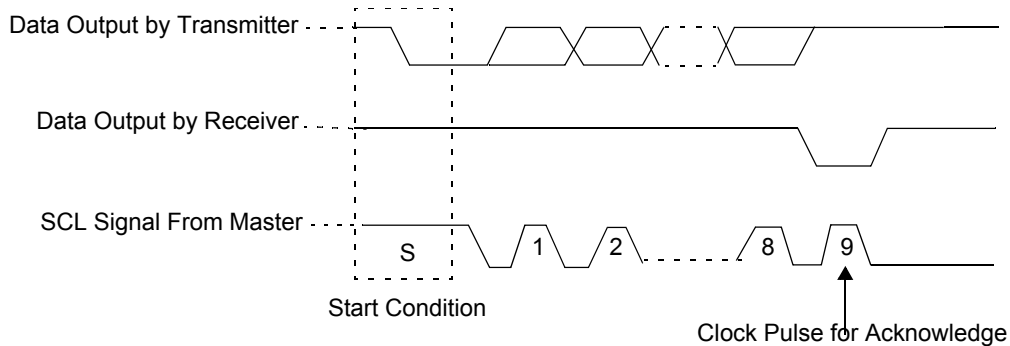


Figure 19. I²C Acknowledge

Clock Synchronization

All masters generate their own clocks on the SCL line to transfer messages on the I²C bus. Data is only valid during the High period of each clock.

Clock synchronization is performed using the wired AND connection of the I²C interfaces to the SCL line, meaning that a High-to-Low transition on the SCL line causes the relevant devices to start counting from their Low period. When a device clock goes Low, it holds the SCL line in that state until the clock High state is reached. See [Figure 20](#). The Low-to-High transition of this clock, however, may not change the state of the SCL line if another clock still exists within its Low period. The SCL line is held Low by the device with the longest Low period. Devices with shorter Low periods enter a High WAIT state during this time.

When all devices complete counting off their Low periods, the clock line goes High. There is no difference between the device clocks and the state of the SCL line; therefore, all of the devices begin counting their High periods. The first device to complete its High period again pulls the SCL line Low. In this way, a synchronized SCL clock is generated with its Low period determined by the device with the longest clock Low period, and its High period determined by the device with the shortest clock High period.

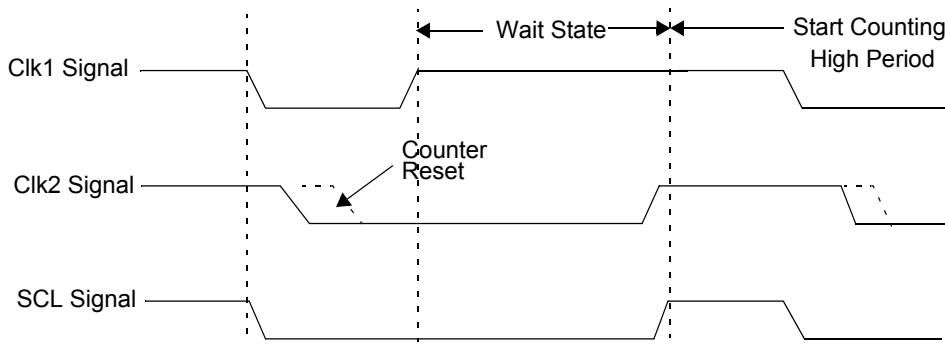


Figure 20. Clock Synchronization In I²C Protocol

Arbitration

A master may start a transfer only if the bus is free. Two or more masters may generate a START condition within the minimum hold time of the START condition. The result is a defined START condition to the bus. Arbitration occurs on the SDA line while the SCL line is at the High level in such a way that the master, (which transmits a High level while another master is transmitting a Low level), switches off its data output stage. The master switches off its data output stage because the level on the bus does not correspond to its own level.

Arbitration can continue for many bits. Its first stage is a comparison of the address bits. If the masters are each trying to address the same device, arbitration continues with a comparison of the data. Because address and data information on the I²C bus is used for arbitration, no information is lost during this process. A master which loses the arbitration can generate clock pulses until the end of the byte in which it loses the arbitration.

If a master also incorporates a slave function and it loses arbitration during the addressing stage, it is possible that the winning master is trying to address it. The losing master must switch over immediately to SLAVE RECEIVE mode. [Figure 20](#) illustrates the arbitration procedure for two masters. Of course, more may be involved (depending on how many masters are connected to the bus). The moment there is a difference between the internal data level of the master generating DATA 1 and the actual level on the SDA line, its data output is switched off, which means that a High output level is then connected to the bus. As a result, the data transfer initiated by the winning master is not affected. Because control of the I²C bus is decided solely on the address and data sent by competing masters, there is no central master, nor any order of priority on the bus.

Special attention must be paid if, during a serial transfer, the arbitration procedure is still in progress at the moment when a repeated START condition or a STOP condition is transmitted to the I²C bus. If it is possible for such a situation to occur,

the masters involved must send this repeated START condition or STOP condition at the same position in the format frame. In other words, arbitration is not allowed between:

- A repeated START condition and a data bit
- A STOP condition and a data bit
- A repeated START condition and a STOP condition

Clock Synchronization for Handshake

The Clock synchronizing mechanism can function as a handshake, enabling receivers to cope with fast data transfers, on either a byte or bit level. The byte level allows a device to receive a byte of data at a fast rate, but allows the device more time to store the received byte or to prepare another byte for transmission. Slaves hold the SCL line Low after reception and acknowledge the byte, forcing the master into a WAIT state until the slave is ready for the next byte transfer in a handshake procedure.

Operating Modes

Master Transmit

In MASTER TRANSMIT mode, the I²C transmits a number of bytes to a slave receiver.

The device enters MASTER TRANSMIT mode by setting the Master Mode Start bit (STA) bit in the I2Cx_CTL register to 1. The I²C then tests the I²C bus and transmits a START condition when the bus is free. When a START condition is transmitted, the IFLG bit is set to 1 and the status code in the I2Cx_SR register is 08h. Before this interrupt is serviced, the I2Cx_DR register must be loaded with either a 7-bit slave address or the first part of a 10-bit slave address, with the lsb cleared to 0 to specify TRANSMIT mode. The IFLG bit should now be cleared to 0 to prompt the transfer to continue.

After the 7-bit slave address (or the first part of a 10-bit address) plus the write bit are transmitted, the IFLG is set again. A number of status codes are possible in the I2Cx_SR register.

Table 43. I²C Master Transmit Status Codes

Code	I ² C State	Microprocessor Response	Next I ² C Action
18h	Addr+W transmitted, ACK received	For a 7-bit address: Write a byte to DATA, clear IFLG	Transmit data byte, receive ACK
		Or set STA, clear IFLG	Transmit repeated START
		Or set STP, clear IFLG	Transmit STOP
		Or set STA & STP, clear IFLG	Transmit STOP then START
		For a 10-bit address: write an extended address byte to DATA, clear IFLG	Transmit extended address byte
20h	Addr+W transmitted, ACK not received	Same as code 18h	Same as code 18h
38h	Arbitration lost	Clear IFLG	Return to the IDLE state
		Or set STA, clear IFLG	Transmit START when bus is free
68h	Arbitration lost, SLA+W received, ACK transmitted	Clear IFLG, ACK = 0	Receive data byte, transmit NACK
		Or clear IFLG, ACK = 1	Receive data byte, transmit ACK
78h	Arbitration lost, General call addr received, ACK transmitted	Same as code 68h	Same as code 68h
B0h	Arbitration lost, SLA+R received, ACK transmitted	Write byte to DATA, clear IFLG, clear ACK = 0	Transmit last byte, receive ACK
		Or write byte to DATA, clear IFLG, set ACK = 1	Transmit data byte, receive ACK

Note: W = Write bit. The lsb is cleared to 0.

If 10-bit addressing is being used, then the status code is 18h or 20h after the first part of a 10-bit address, plus the write bit, are successfully transmitted.

After this interrupt is serviced and the second part of the 10-bit address is transmitted, the I2Cx_SR register contains one of the codes in [Table 44](#).

Table 44. I²C 10-Bit Master Transmit Status Codes

Code	I ² C State	Microprocessor Response	Next I ² C Action
38h	Arbitration lost	Clear IFLG	Return to the IDLE state
		Or set STA, clear IFLG	Transmit START when the bus is free
68h	Arbitration lost, SLA+W received, ACK transmitted	Clear IFLG, clear ACK = 0	Receive data byte, transmit NACK
		Or clear IFLG, set ACK=1	Receive data byte, transmit ACK
B0h	Arbitration lost, SLA+R received, ACK transmitted	Write byte to DATA, clear IFLG, clear ACK = 0	Transmit last byte, receive ACK
		Or write byte to DATA, clear IFLG, set ACK = 1	Transmit data byte, receive ACK
D0h	Second Address byte + W transmitted, ACK received	Write byte to DATA, clear IFLG	Transmit data byte, receive ACK
		Or set STA, clear IFLG	Transmit repeated START
		Or set STP, clear IFLG	Transmit STOP
		Or set STA & STP, clear IFLG	Transmit STOP then START
D8h	Second Address byte + W transmitted, ACK not received	Same as code D0h	Same as code D0h

If a repeated START condition is transmitted, the status code is 10h instead of 08h. After each data byte is transmitted, the IFLG is set to 1 and one of the status codes listed in [Table 45](#) is contained in the I2Cx_SR register.

Table 45. I²C Master Transmit Status Codes For Data Bytes

Code	I ² C State	Microprocessor Response	Next I ² C Action
28h	Data byte transmitted, ACK received	Write byte to DATA, clear IFLG	Transmit data byte, receive ACK
		Or set STA, clear IFLG	Transmit repeated START
		Or set STP, clear IFLG	Transmit STOP
		Or set STA & STP, clear IFLG	Transmit START then STOP
30h	Data byte transmitted, ACK not received	Same as code 28h	Same as code 28h

Table 45. I²C Master Transmit Status Codes For Data Bytes (Continued)

Code	I ² C State	Microprocessor Response	Next I ² C Action
38h	Arbitration lost	Clear IFLG	Return to the IDLE state
		Or set STA, clear IFLG	Transmit START when bus free

When all bytes are transmitted, the microprocessor should write a 1 to the Master Mode Stop bit (STP) bit in the I2Cx_CTL register. The I²C then transmits a STOP condition, clears the STP bit, and returns to the IDLE state.

Master Receive

In MASTER RECEIVE mode, the I²C receives a number of bytes from a slave transmitter.

After the START condition is transmitted, the IFLG bit is set to 1 and the status code 08h is loaded in the I2Cx_SR register. The I2Cx_DR register should be loaded with the slave address (or the first part of a 10-bit slave address), with the lsb set to 1 to signify a READ. The IFLG bit should be cleared to 0 as a prompt for the transfer to continue.

When the 7-bit slave address (or the first part of a 10-bit address) and the read bit are transmitted, the IFLG bit is set and one of the status codes listed in [Table 46](#) is contained in the I2Cx_SR register.

Table 46. I²C Master Receive Status Codes

Code	I ² C State	Microprocessor Response	Next I ² C Action
40h	Addr + R transmitted, ACK received	For a 7-bit address, clear IFLG, ACK = 0	Receive data byte, transmit NACK
		Or clear IFLG, ACK = 1	Receive data byte, transmit ACK
		For a 10-bit address, write extended address byte to DATA, clear IFLG	Transmit extended address byte

Note: R = Read bit. The lsb is set to 1.

Table 46. I²C Master Receive Status Codes (Continued)

Code	I ² C State	Microprocessor Response	Next I ² C Action
48h	Addr + R transmitted, ACK not received	For a 7-bit address: set STA, clear IFLG	Transmit repeated START
		Or set STP, clear IFLG	Transmit STOP
		Or set STA & STP, clear IFLG	Transmit STOP then START
		For a 10-bit address: Write extended address byte to DATA, clear IFLG	Transmit extended address byte
38h	Arbitration lost	Clear IFLG	Return to the IDLE state
		Or set STA, clear IFLG	Transmit START when bus is free
68h	Arbitration lost, SLA+W received, ACK transmitted	Clear IFLG, clear ACK = 0	Receive data byte, transmit NACK
		Or clear IFLG, set ACK = 1	Receive data byte, transmit ACK
78h	Arbitration lost, General call addr received, ACK transmitted	Same as code 68h	Same as code 68h
B0h	Arbitration lost, SLA+R received, ACK transmitted	Write byte to DATA, clear IFLG, clear ACK = 0	Transmit last byte, receive ACK
		Or write byte to DATA, clear IFLG, set ACK = 1	Transmit data byte, receive ACK

Note: R = Read bit. The lsb is set to 1.

If 10-bit addressing is being used, the slave is first addressed using the full 10-bit address plus the Write bit. The master then issues a restart followed by the first part of the 10-bit address again, but with the READ bit. The status code is then 40h or 48h. The slave remains selected prior to the restart.

If a repeated START condition is received, the status code is 10h instead of 08h.

After each data byte is received, the IFLG is set and one of the status codes listed in [Table 47](#) is contained in the I2Cx_SR register.

Table 47. I²C Master Receive Status Codes For Data Bytes

Code	I ² C State	Microprocessor Response	Next I ² C Action
50h	Data byte received, ACK transmitted	Read DATA, clear IFLG, clear ACK = 0	Receive data byte, transmit NACK
		Or read DATA, clear IFLG, set ACK = 1	Receive data byte, transmit ACK
58h	Data byte received, NACK transmitted	Read DATA, set STA, clear IFLG	Transmit repeated START
		Or read DATA, set STP, clear IFLG	Transmit STOP
		Or read DATA, set STA & STP, clear IFLG	Transmit STOP then START
38h	Arbitration lost in NACK bit	Same as master transmit	Same as master transmit

When all bytes are received, a NACK is sent. Next, the microprocessor writes a 1 to the STP bit in the I2Cx_CTL register. The I²C then transmits a STOP condition, clears the STP bit, and returns to the IDLE state.

Slave Transmit

In SLAVE TRANSMIT mode, a number of bytes are transmitted to a master receiver. The I²C enters SLAVE TRANSMIT mode when it receives its own slave address and a read bit after a START condition. The I²C then transmits an I²C Acknowledge bit (ACK) if it is set to 1, and sets the IFLG bit in the I2Cx_CTL register. The I2Cx_SR register contains the status code A8h.

- ▶ **Note:** When the I²C contains a 10-bit slave address (signified by F0h–F7h in the I2Cx_SAR register), it transmits an ACK after the first address byte is received after a restart. An interrupt is generated, IFLG is set; however, the status does not change. No second address byte is sent by the master. The slave remains selected prior to the restart.

I²C goes from MASTER mode to SLAVE TRANSMIT mode when arbitration is lost during the transmission of an address, and the slave address and read bit are received. This action is confirmed by the status code B0h in the I2Cx_SR register.

The data byte to be transmitted is loaded into the I2Cx_DR register and the IFLG bit is cleared. After the I²C transmits the byte and receives an ACK, the IFLG bit is set and the I2Cx_SR register contains B8h. After the last byte to be transmitted is loaded into the I2Cx_DR register, the ACK bit is cleared when the IFLG is cleared. After the last byte is transmitted, the IFLG is set and the I2Cx_SR register contains C8h. The I²C returns to the IDLE state. The ACK bit must be set to 1 before SLAVE mode can be reentered.

If no ACK is received after transmitting a byte, the IFLG is set and the I2Cx_SR register contains `c0h`. The I²C then returns to the IDLE state.

If a STOP condition is detected after an ACK bit, the I²C returns to the IDLE state.

Slave Receive

In SLAVE RECEIVE mode, a number of data bytes are received from a master transmitter.

The I²C enters SLAVE RECEIVE mode when it receives its own slave address and a write bit (`Isb = 0`) after a START condition. The I²C transmits an ACK bit and sets the IFLG bit in the I2Cx_CTL register. The I2Cx_SR register then contains the status code `60h`. The I²C also enters SLAVE RECEIVE mode when it receives the general call address `00h` (if the GCE bit in the I2Cx_SAR register is set). The status code is then `70h`.

- ▶ **Note:** When the I²C contains a 10-bit slave address (signified by `F0h–F7h` in the I2Cx_SAR register), it transmits an ACK after the first address byte is received; however, no interrupt is generated. IFLG is not required to be set and the status does not change. The I²C generates an interrupt only after the second address byte is received. The I²C then sets the IFLG bit and loads the status code, as described above.

I²C goes from MASTER mode to SLAVE RECEIVE mode when arbitration is lost during the transmission of an address, and the slave address and write bit (or the general call address if the CGE bit in the I2Cx_SAR register is set to 1) are received. The status code in the I2Cx_SR register is `68h` if the slave address is received or `78h` if the general call address is received. The IFLG bit must be cleared to 0 to allow data transfer to continue.

If the ACK bit in the I2Cx_CTL register is set to 1, then an ACK bit (Low level on SDA) is transmitted and the IFLG bit is set after each byte is received. The I2Cx_SR register contains the status code `80h` or `90h` if SLAVE RECEIVE mode is entered with the general call address. The received data byte can be read from the I2Cx_DR register and the IFLG bit must be cleared to allow the transfer to continue. If a STOP condition or a repeated START condition is detected after the ACK bit, the IFLG bit is set and the I2Cx_SR register contains status code `A0h`.

If the ACK bit is cleared to 0 during a transfer, the I²C transmits a NACK bit (High level on SDA) after the next byte is received, and sets the IFLG bit. The I2Cx_SR register contains the status code `88h` or `98h` if SLAVE RECEIVE mode is entered with the general call address. The I²C returns to the IDLE state when the IFLG bit is cleared to 0.

I²C Registers

Addressing

The processor interface provides access to six 8-bit registers: four Read/Write registers, one Read Only register, and two Write Only registers. See [Table 48](#).

Table 48. I²C Register Descriptions

Register	Description
I2Cx_SAR	Slave address register
I2Cx_xSAR	Extended slave address register
I2Cx_DR	Data byte register
I2Cx_CTL	Control register
I2Cx_SR	Status register (Read Only)
I2Cx_CCR	Clock Control register (Write Only)
I2Cx_SRR	Software reset register (Write Only)

Note: The lower case x in the register name can be either 0 or 1 depending upon which of the two I²C devices are referenced within the eZ80190 device.

Resetting the I²C Registers

Hardware Reset. When the I²C is reset by a hardware reset of the eZ80190 device, the I2Cx_SAR, I2Cx_xSAR, I2Cx_DR and I2Cx_CTL registers are cleared to 00h. The I2Cx_SR register is set to F8h.

Software Reset. Perform a software reset by writing any value to the I²C Software Reset register (I2Cx_SRR). A software reset sets the I²C back to the IDLE state and the STP, STA, and IFLG bits of the I2Cx_CTL register to 0.

I²C Slave Address Register

The I2Cx_SAR register, indicated in [Table 49](#), provides the 7-bit address of the I²C when in SLAVE mode and allows 10-bit addressing in conjunction with the I2Cx_xSAR register. I2Cx_SAR[7:1] = SLA[6:0] is the 7-bit address of the I²C when in 7-bit SLAVE mode. When the I²C receives this address after a START condition, it enters SLAVE mode. I2Cx_SAR[7] corresponds to the first bit received from the I²C bus.

When the register receives an address starting with F7h to F0h (I2Cx_SAR[7:3] = 11110b), the I²C recognizes that a 10-bit slave addressing mode is being selected. The I²C sends an ACK after receiving the I2Cx_SAR byte (the device does not generate an interrupt at this point). After the next byte of the address (I2Cx_xSAR) is received, the I²C generates an interrupt and enters SLAVE mode.

Then I2Cx_SAR[2:1] is used as the upper 2 bits of the 10-bit extended address. The full 10-bit address is returned by {I2Cx_SAR[2:1], I2Cx_xSAR[7:0]}.

**Table 49. I²C Slave Address Registers
(I2C0_SAR = C8h, I2C1_SAR = D8h)**

Bit	7	6	5	4	3	2	1	0
Reset	0	0	0	0	0	0	0	0
CPU Access	R/W	R/W	R/W	R/W	R/W	R/W	R/W	R/W

Note: R/W = Read/Write.

Bit Position	Value	Description
[7:1] SLA	00h– 7Fh	The 7-bit slave address, or the lower 7 bits of the slave address, when operating in 10-bit mode.
0 GCE	0	The I ² C is not enabled to recognize the General Call Address.
	1	The I ² C is enabled to recognize the General Call Address.

I²C Extended Slave Address Register

The I2Cx_xSAR register, indicated in [Table 50](#), is used in conjunction with the I2Cx_SAR register to provide 10-bit addressing for the I²C when in SLAVE mode. The I2Cx_SAR value forms the lower 8 bits of the 10-bit slave address. The full 10-bit address is returned by {I2Cx_SAR[2:1], I2Cx_xSAR[7:0]}.

When the register receives an address starting with F7h to F0h (I2Cx_SAR[7:3] = 11110b), the I²C recognizes that a 10-bit slave addressing mode is being selected. The I²C sends an ACK after receiving the I2Cx_SAR byte (the device does not generate an interrupt at this point). After the next byte of the address (I2Cx_xSAR) is received, the I²C generates an interrupt and enters SLAVE mode. Then I2Cx_SAR[2:1] is used as the upper 2 bits of the 10-bit extended address. The full 10-bit address is returned by {I2Cx_SAR[2:1], I2Cx_xSAR[7:0]}.

**Table 50. I²C Extended Slave Address Registers
(I2C0_xSAR=C9h, I2C1_xSAR=D9h)**

Bit	7	6	5	4	3	2	1	0
Reset	0	0	0	0	0	0	0	0
CPU Access	R/W	R/W	R/W	R/W	R/W	R/W	R/W	R/W

Note: R/W = Read/Write.

Bit Position	Value	Description
[7:0] SLAX	00h– FFh	Least significant 8 bits of the 10-bit extended slave address.

I²C Data Register

The I²C Data Register, indicated in [Table 51](#), contains the data byte/slave address to be transmitted or the data byte just received. In MASTER TRANSMIT or SLAVE TRANSMIT modes, the most significant bit of the byte is transmitted first. In MASTER RECEIVE or SLAVE RECEIVE modes, the first bit received is placed in the most significant bit of the register. After each byte is transmitted, the I2Cx_DR register contains the byte that is present in the event of lost arbitration.

**Table 51. I²C Data Registers
(I2C0_DR = CAh, I2C1_DR = DAh)**

Bit	7	6	5	4	3	2	1	0
Reset	0	0	0	0	0	0	0	0
CPU Access	R/W	R/W	R/W	R/W	R/W	R/W	R/W	R/W

Note: R/W = Read/Write.

Bit Position	Value	Description
[7:0] DATA	00h– FFh	I ² C data byte.

I²C Control Register

The I2Cx_CTL register, indicated in [Table 52](#) is a control register that is used to control the interrupts and the master slave relationships on the I²C bus.

When the Interrupt Enable bit (IEN) is set to 1, the interrupt line goes High when the IFLG is set to 1. When IEN is cleared to 0, the interrupt line always remains Low.

When the Bus Enable bit (ENAB) is set to 0, the I²C bus inputs SCLx. SDAx is ignored and the I²C module does not respond to any address on the bus. When ENAB is set to 1, the I²C responds to calls to its slave address and to the general call address if the GCE bit (I2Cx_SAR[0]) is set to 1.

When the Master Mode Start bit (STA) is set to 1, the I²C enters MASTER mode and sends a START condition on the bus when the bus is free. If the STA bit is set to 1 when the I²C module is already in MASTER mode and one or more bytes are transmitted, then a repeated START condition is sent. If the STA bit is set to 1 when the I²C block is being accessed in SLAVE mode, the I²C completes the data transfer in SLAVE mode and then enters MASTER mode when the bus is released. The STA bit is automatically cleared after a START condition is set. Writing a 0 to this bit produces no effect.

If the Master Mode Stop bit (STP) is set to 1 in MASTER mode, a STOP condition is transmitted on the I²C bus. If the STP bit is set to 1 in SLAVE mode, the I²C module behaves as if a STOP condition is received, but no STOP condition is transmitted. If both STA and STP bits are set, the I²C block first transmits the STOP condition (if in MASTER mode) and then transmits the START condition. The STP bit is cleared automatically. Writing a 0 to this bit produces no effect.

The I²C Interrupt Flag (IFLG) is set to 1 automatically when the device enters any of 30 of the possible 31 I²C states. The only state that does not set the IFLG bit is state F8h. If IFLG is set to 1 and the IEN bit is also set to 1, an interrupt is generated. When IFLG is set by the I²C, the Low period of the I²C bus clock line is stretched and the data transfer is suspended. When a 0 is written to IFLG, the interrupt is cleared and the I²C clock line is released.

When the I²C Acknowledge bit (ACK) is set to 1, an acknowledgement is sent during the Acknowledge clock pulse on the I²C bus if:

- Either the whole of a 7-bit slave address or the first or second byte of a 10-bit slave address is received
- The general call address is received and the General Call Enable bit in I2Cx_SAR is set to 1
- A data byte is received in MASTER or SLAVE mode

When ACK is cleared to 0, a NACK is sent when a data byte is received in MASTER or SLAVE mode. If ACK is cleared to 0 in SLAVE TRANSMIT mode, the byte in the I2Cx_DR register is presumed to be the last byte. After this byte is transmitted, the I²C block enters state C8h, then returns to the IDLE state. The I²C module does not respond to its slave address unless ACK is set.

Table 52. I²C Control Registers
(I2C0_CTL = CBh, I2C1_CTL = DBh)

Bit	7	6	5	4	3	2	1	0
Reset	0	0	0	0	0	0	0	0
CPU Access	R/W	R/W	R/W	R/W	R/W	R/W	R/W	R/W

Note: R/W = Read/Write.

Bit Position	Value	Description
7 IEN	0	I ² C interrupt is disabled.
	1	I ² C interrupt is enabled.
6 ENAB	0	The I ² C bus (SCLx/SDAx) is disabled and all inputs are ignored.
	1	The I ² C bus (SCLx/SDAx) is enabled.
5 STA	0	A Master Mode START condition is sent.
	1	A Master Mode START TRANSMIT condition occurs on the bus.
4 STP	0	A Master Mode STOP condition is sent.
	1	A Master Mode STOP TRANSMIT condition occurs on the bus.
3 IFLG	0	The I ² C interrupt flag is not set.
	1	The I ² C interrupt flag is set.
2 ACK	0	Not Acknowledge.
	1	Acknowledge.
[1:0]	00	Reserved.

I²C Status Register

The I2Cx_SR register, indicated in [Table 53](#), is a Read Only register that contains a 5-bit status code in the five most significant bits. The three least significant bits are always 0. The Read Only I2Cx_SR registers share the same I/O addresses as the Write Only I2Cx_CCR registers.

Table 53. I²C Status Registers
(I2C0_SR = CCh, I2C1_SR = DCh)

Bit	7	6	5	4	3	2	1	0
Reset	1	1	1	1	1	0	0	0
CPU Access	R	R	R	R	R	R	R	R

Note: R = Read Only.

Bit Position	Value	Description
[7:3] STAT	00000– 11111	5-bit I ² C status code.
[2:0]	000	Reserved.

There are 29 possible status codes, indicated in [Table 54](#). When the I2Cx_SR register contains the status code F8h, no relevant status information is available, no interrupt is generated and the IFLG bit in the I2Cx_CTL register is not set. All other status codes correspond to a defined state of the I²C.

When the device enters each of these states, the corresponding status code appears in this register and the IFLG bit in the I2Cx_CTL register is set. When the IFLG bit is cleared, the status code returns to F8h.

Table 54. I²C Status Codes

Code	Status
00h	Bus error
08h	START condition transmitted
10h	Repeated START condition transmitted
18h	Address + write bit transmitted, ACK received
20h	Address + write bit transmitted, ACK not received
28h	Data byte transmitted in MASTER mode, ACK received
30h	Data byte transmitted in MASTER mode, ACK not received
38h	Arbitration lost in address or data byte
40h	Address + read bit transmitted, ACK received

Table 54. I²C Status Codes (Continued)

Code	Status
48h	Address + read bit transmitted, ACK not received
50h	Data byte received in MASTER mode, ACK transmitted
58h	Data byte received in MASTER mode, NACK transmitted
60h	Slave address + write bit received, ACK transmitted
68h	Arbitration lost in address as master, slave address + write bit received, ACK transmitted
70h	General Call address received, ACK transmitted
78h	Arbitration lost in address as master, General Call address received, ACK transmitted
80h	Data byte received after slave address received, ACK transmitted
88h	Data byte received after slave address received, NACK transmitted
90h	Data byte received after General Call received, ACK transmitted
98h	Data byte received after General Call received, NACK transmitted
A0h	STOP or repeated START condition received in SLAVE mode
A8h	Slave address + read bit received, ACK transmitted
B0h	Arbitration lost in address as master, slave address + read bit received, ACK transmitted
B8h	Data byte transmitted in SLAVE mode, ACK received
C0h	Data byte transmitted in SLAVE mode, ACK not received
C8h	Last byte transmitted in SLAVE mode, ACK received
D0h	Second Address byte + write bit transmitted, ACK received
D8h	Second Address byte + write bit transmitted, ACK not received
F8h	No relevant status information, IFLG = 0

If an illegal condition occurs on the I²C bus, the bus error state is entered (status code 00h). To recover from this state, the STP bit in the I2Cx_CTL register must be set and the IFLG bit cleared. The I²C then returns to the IDLE state. No STOP condition is transmitted on the I²C bus.

- **Note:** The STP and STA bits may be simultaneously set to 1 to recover from the bus error. The I²C then sends a START.

I²C Clock Control Register

The I2Cx_CCR register, indicated in [Table 55](#), is a Write Only register. The seven LSBs control the frequency at which the I²C bus is sampled and the frequency of the I²C clock line (SCL) when the I²C is operating in MASTER mode. The Write

Only I2Cx_CCR registers share the same I/O addresses as the Read Only I2Cx_SR registers.

**Table 55. I²C Clock Control Registers
(I2C0_CCR = CCh, I2C1_CCR = DCh)**

Bit	7	6	5	4	3	2	1	0
Reset	0	0	0	0	0	0	0	0
CPU Access	W	W	W	W	W	W	W	W

Note: W = Read Only.

Bit Position	Value	Description
7	0	Reserved.
[6:3] M	0000– 1111	I ² C clock divider scalar value.
[2:0] N	000–111	I ² C clock divider exponent.

The I²C clocks are derived by the eZ80190 device's system clock, which provides a frequency of f_{SCLK} . The I²C bus is sampled by the I²C block at the frequency f_{SAMP} in the following equation.

$$f_{\text{SAMP}} = \frac{f_{\text{SCLK}}}{2^N}$$

In MASTER mode, the I²C clock output frequency on SCLx (f_{SCL}) is provided by:

$$f_{\text{SCL}} = \frac{f_{\text{SCLK}}}{10 \times (M+1) \times 2^N}$$

The use of two separately-programmable dividers allows the MASTER mode output frequency to be set independently of the frequency at which the I²C bus is sampled. These dividers are particularly useful in multimaster systems because the I²C bus sampling frequency must be at least 10 times the frequency of the fastest master on the bus to ensure that START and STOP conditions are always detected. By using two programmable clock divider stages, a high sampling frequency can be ensured, while allowing the MASTER mode output to be set to a lower frequency.

Bus Clock Speed

The I²C bus is defined for bus clock speeds up to 100 kbps (400 kbps in FAST mode).

To ensure correct detection of START and STOP conditions on the bus, the I²C must sample the I²C bus at least ten times faster than the bus clock speed of the fastest master on the bus. The sampling frequency should therefore be at least 1 MHz (4 MHz in FAST mode) to guarantee correct operation with other bus masters.

The I²C sampling frequency is determined by the frequency of the eZ80190 device system clock and the value in the I2Cx_CCR bits 2 to 0. The bus clock speed generated by the I²C in MASTER mode is determined by the frequency of the input clock and the values in I2Cx_CCR[2:0] and I2Cx_CCR[6:3].

I²C Software Reset Register

The I2Cx_SRR register, indicated in [Table 56](#), is a Write Only register. Writing any value to this register will perform a software reset of the I²C module.

Table 56. I²C Software Reset Register
(I2C0_SRR = CDh, I2C1_SRR = DDh)

Bit	7	6	5	4	3	2	1	0
Reset	X	X	X	X	X	X	X	X
CPU Access	W	W	W	W	W	W	W	W

Note: W = Write Only.

Bit Position	Value	Description
[7:0] SRR	00h–FFh	Writing any value to this register performs a software reset of the I ² C module.

Multiply-Accumulator

MACC Overview

The most significant process in digital signal processing is the Multiply-Accumulate (MACC) function, which forms a sum of products, as the following equation shows.

$$\sum_{i=0}^n x_i \times y_i$$

where x and y are vectors (tables of values, one-dimensional arrays) in memory.

The MACC block on the eZ80190 device performs DSP functions without incurring the control overhead costs associated with a separate DSP.

Features include:

- Two 40-bit accumulators
- A 16-bit x 16-bit multiplier with a 32-bit product
 - The 32-bit output is added to the value stored in 1 of the 2 available 40-bit accumulators
 - The 40-bit sum is written back to the selected 40-bit accumulator
- Each multiply-accumulate operation completes in a single clock cycle
- Two 256 x 16 dual-port RAM spaces labeled x and y
 - One port of each RAM is 16-bit Read Only and feeds the multiplier
 - The second port is 8-bit Read/Write and is connected to the CPU data bus, allowing the dual RAM to be part of the CPU memory space
- A set of control registers in the CPU's I/O space are used to set up the next multiply-accumulate operation, initiate the operation, determine when the Multiply-Accumulator completes the current calculation, and retrieve the result

A simplified block diagram of the Multiply-Accumulator is illustrated in [Figure 21](#).

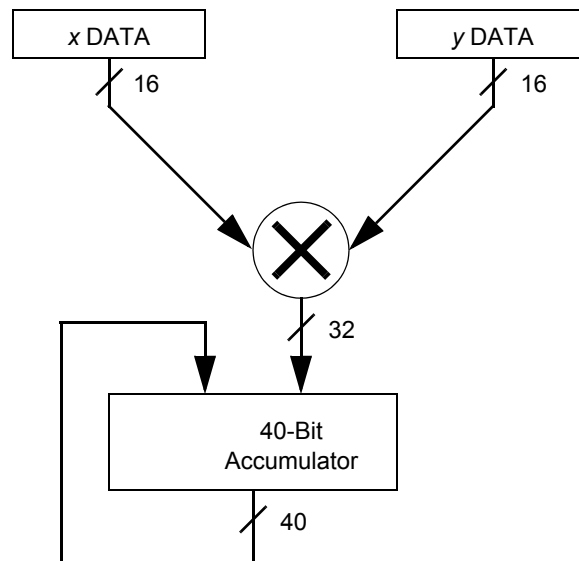


Figure 21. Multiply-Accumulator Block Diagram

Multiply-Accumulator Basic Operation

Figure 22 demonstrates a simplified view of the state progression of the MACC when performing calculation on a set of data. The progression begins in the upper left corner with a DATA bank containing the value EMPTY. The CPU loads the MACC control registers to define the next MACC calculation.

If the MACC is not busy with an existing calculation (EMPTY or DONE), the DATA and CALC banks are immediately swapped to initiate the new calculation. If the MACC is busy with an existing calculation, the DATA bank status changes to READY and waits for the MACC to complete the existing calculation. Then, the DATA and CALC banks are swapped to initiate the new calculation.

Assuming the DATA bank is EMPTY or READY when the MACC completes the new calculation, the CALC bank is swapped with the DATA bank. The CPU can then retrieve the result of the new calculation from the accumulator.

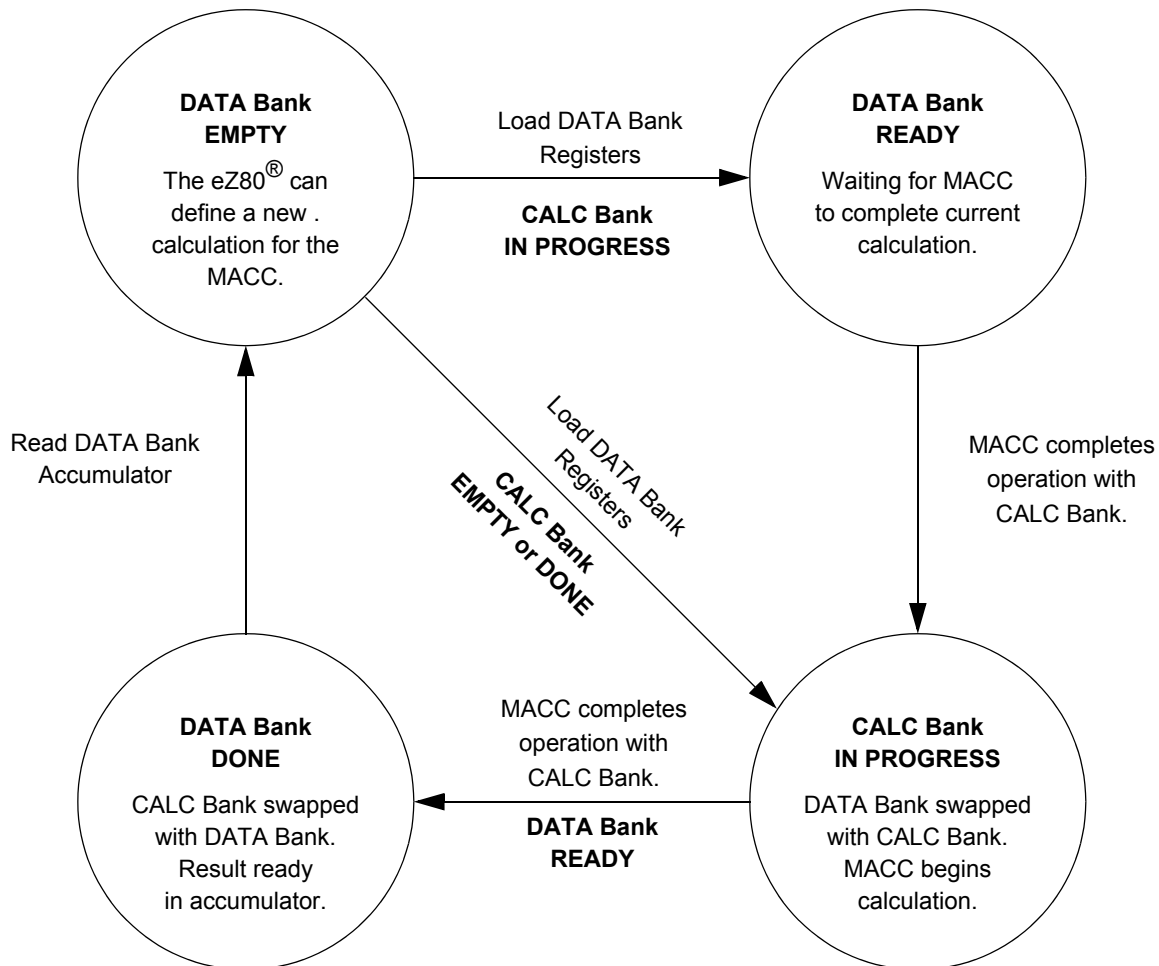


Figure 22. Simplified MACC Status Progression

Software Control of the MACC

The Multiply-Accumulator is designed so that CPU software can set up a calculation by writing to the MACC registers using a single OTI2R block output instruction. Refer to the *eZ80[®] CPU User Manual* for details. Depending upon the calculation required, this calculation may require writing to all of the MACC control registers, or just a partial subset.

Similarly, the MACC is designed so that eZ80[®] CPU software can read the results of a calculation from the MACC Accumulator registers using a single INI2R block input instruction. Refer to the *eZ80[®] CPU User Manual* for details. Depending upon the number of bytes of result required, the INI2R instruction can read all 5 of the MACC_ACx registers or as few as 1.

The Multiply-Accumulator decodes its I/O addresses from ADDR[7:0]. In addition, it monitors ADDR[15:8] to detect the final transfer of a block using the OTI2R or INI2R instructions. These instructions drive the value in the CPU's B register onto ADDR[15:8] and the value in the CPU's C register onto ADDR[7:0]. The B register decrements after completion of each transfer in the OTI2R or INI2R block transfer. The C register increments after completion of each transfer. The final transfer occurs when B contains the value of 01h. After this final transfer, B decrements to 0 and the block instruction terminates. Refer to the *eZ80[®] CPU User Manual* for more information on these CPU instructions and CPU registers.

Defining A New Calculation As READY

When writing a new calculation to the MACC control registers, any of the following actions change the state of the DATA bank from EMPTY to READY:

- A write to MACC_AC4, the most significant byte of the MACC Accumulator.
- A write to MACC_CTL with ADDR[15:8] = 01h (an OTI2R instruction satisfies this write requirement during its final transfer)
 - This write also clears the MACC Accumulator
- A write to MACC_AC0, MACC_AC1, MACC_AC2, or MACC_AC3 with ADDR[15:8] = 01h (an OTI2R instruction satisfies this write requirement during its final transfer)

If the MACC is prepared to begin a new calculation (CALC bank status is EMPTY or DONE), the banks are immediately swapped as soon as the new calculation defined in the DATA bank is READY. When this swap occurs, the CALC bank status becomes IN PROGRESS.

Defining The DATA Bank As EMPTY

Defining the DATA Bank as EMPTY indicates completion of a result read operation. When reading a result from the MACC Accumulator registers, any of the following actions change the state of the DATA bank from DONE to EMPTY:

- A read from MACC_AC4, the most significant byte of the MACC Accumulator
- A read from MACC_AC0, MACC_AC1, MACC_AC2, or MACC_AC3 with ADDR[15:8] = 01h, as in the final transfer, using an INI2R instruction

Alternatively, any write operation to any of the MACC registers besides MACC_STAT also changes the DATA bank status from DONE to EMPTY. This state change occurs because write operations generally indicate a requirement to define a new calculation.

Alternatives to OTI2R and INI2R

The INI2R and OTI2R instructions are recommended for CPU input and output access to the MACC control registers. However, it is not required that only these instructions be employed. Other I/O instructions can also be used.



Caution: Care must be taken to ensure that the High byte of the I/O address, ADDR[15:8], is only set to 01h when a state change is required on the MACC DATA and CALC banks.

MACC Dual Bank Operation

The Multiply-Accumulator is divided into two separate operating banks. As a result, one bank of the MACC performs a set of multiply-accumulate operations on a set of data while the eZ80190 device is preparing the other bank for the next set of multiply-accumulate operations. Each bank features a separate accumulator and a separate set of control register values (MACC_xSTART, MACC_xEND, MACC_xRELOAD, MACC_ySTART, MACC_yEND, MACC_yRELOAD, and MACC_LENGTH).

The MACC bank that is currently accessible in the eZ80190 device's I/O space is referred to as the DATA bank. The MACC bank that is currently available for use by the MACC for execution is referred to as the CALC bank. The current state of the DATA bank is provided by the DATA_STAT field (bits [1:0]) of the MACC_STAT register. The current state of the CALC bank is provided by the CALC_STAT field (bits [3:2]) of the MACC_STAT register. An explanation of each bank status code is indicated in Tables 57 and 58.

Table 57. MACC DATA Bank Status Codes

DATA Bank Status MACC_STAT[1:0]	Description
00b	The DATA bank is EMPTY. No calculation is set up for execution.
01b	The DATA bank is READY. Calculation is prepared for execution as soon as the MACC is ready to begin a new calculation.
10b	Invalid.
11b	The DATA bank is DONE. The DATA bank accumulator registers contain the result from a recently completed calculation. This result is not yet read by the CPU.

Table 58. MACC CALC Bank Status Codes

CALC Bank Status MACC_STAT[3:2]	Description
00b	The CALC bank is EMPTY. No calculation is set up for execution.
01b	Invalid.
10b	The CALC bank is IN PROGRESS. MACC is currently executing the operation defined by the CALC bank control registers.
11b	The CALC bank is DONE. The MACC has completed execution of the operations defined by the CALC bank control registers. The result is stored in the CALC bank accumulator registers. The CALC bank must be swapped with the DATA bank to allow the CPU to access the result. Depending upon the full MACC status, this swap may occur automatically.

The combination of possible status values for the DATA and CALC banks define operating states for the MACC. The MACC progresses between states as new calculations are defined, running calculations are completed, results are read, etc. All possible MACC states, the next states possible, and the operation that causes such a state transition are indicated in [Table 59](#).

Table 59. State Progression of the MACC During Operation

Current State			Next State	
DATA Bank	CALC Bank	Operation	DATA Bank	CALC Bank
EMPTY	EMPTY	<ol style="list-style-type: none"> Define a new calculation by loading the MACC control registers using the OTI2R instruction. When the OTI2R instruction completes and the final write is to either MACC_CTL or any byte of MACC_ACx, the banks swap and a new calculation begins. The CALC bank status changes from EMPTY to IN PROGRESS as it begins the new calculation. Any write to MACC_AC4 produces the same effect. 	EMPTY	IN PROGRESS

Table 59. State Progression of the MACC During Operation (Continued)

Current State			Next State	
DATA Bank	CALC Bank	Operation	DATA Bank	CALC Bank
EMPTY	IN PROGRESS	<ol style="list-style-type: none"> 1. Define a new calculation by loading the MACC control registers using the OTI2R instruction. When the OTI2R instruction completes and the last write is to either MACC_CTL or any byte of MACC_ACx, the DATA bank state changes from EMPTY to READY. This change in status indicates the DATA bank contains a new calculation that is ready to execute as soon as the MACC completes its current calculation. 2. Any write to MACC_AC4 produces the same effect. 	READY	IN PROGRESS
EMPTY	IN PROGRESS	If the MACC completes execution of the current calculation, the CALC bank status changes from IN PROGRESS to DONE.	EMPTY	DONE
EMPTY	DONE	Write a value of 80h to the MACC_STAT register to force a swap of the CALC and DATA banks. The CALC bank status is now EMPTY. The DATA bank status changes to DONE indicating that it now holds the result from the most recent MACC calculation.	DONE	EMPTY
EMPTY	DONE	<ol style="list-style-type: none"> 1. Define a new calculation by loading the MACC control registers using the OTI2R instruction. When the OTI2R instruction completes and the last write is to either MACC_CTL or any byte of MACC_ACx, the banks swap and a new calculation begins. The CALC bank status changes from DONE to IN PROGRESS as it begins the new calculation. The DATA bank status changes from EMPTY to DONE as it now contains the result of the previous calculation. 2. Any write to MACC_AC4 produces the same effect. 	DONE	IN PROGRESS
READY	IN PROGRESS	When the MACC completes execution of the current calculation, the banks swap. The DATA bank status changes to DONE to indicate the availability of the just completed calculation. The MACC begins the new calculation so the CALC bank status remains IN PROGRESS.	DONE	IN PROGRESS



Table 59. State Progression of the MACC During Operation (Continued)

Current State			Next State	
DATA Bank	CALC Bank	Operation	DATA Bank	CALC Bank
DONE	EMPTY	<ol style="list-style-type: none"> 1. Read the result from the MACC Accumulator registers using the INI2R instruction. When the INI2R instruction completes and the last read is from any byte of MACC_ACx, the DATA bank status changes from DONE to EMPTY. 2. Any read from MACC_AC4 produces the same effect. 3. Any write to any MACC register except for MAC_STAT produces the same effect. 	EMPTY	EMPTY
DONE	IN PROGRESS	If the MACC completes execution of the current calculation, the CALC bank status changes from IN PROGRESS to DONE.	DONE	DONE
DONE	IN PROGRESS	<ol style="list-style-type: none"> 1. Read the result from the MACC Accumulator registers using the INI2R instruction. When the INI2R instruction completes and the last read is from any byte of MACC_ACx, the DATA bank status changes from DONE to EMPTY. 2. Any read from MACC_AC4 produces the same effect. 3. Any write to any MACC register except for MAC_STAT produces the same effect. 	EMPTY	IN PROGRESS
DONE	DONE	<ol style="list-style-type: none"> 1. Read the result from the MACC Accumulator registers using the INI2R instruction. When the INI2R instruction completes and the last read is from any byte of MACC_ACx, the DATA bank status changes from DONE to EMPTY. 2. Any read from MACC_AC4 produces the same effect. 3. Any write to any MACC register except for MAC_STAT produces the same effect. 	EMPTY	DONE

IN_SHIFT and OUT_SHIFT

The Multiply-Accumulator on the eZ80190 device features two additional functions, IN_SHIFT and OUT_SHIFT, that can be useful in many DSP operations. Both of these optional functions are controlled by the MACC Control register, MACC_CTL.

IN_SHIFT Function

The IN_SHIFT field, bits 2:0 of the MACC_CTL register, defines the magnitude of the left-shift that is performed when the CPU writes a starting value to the MACC Accumulator registers MACC_AC0, MACC_AC1, MACC_AC2, MACC_AC3, and MACC_AC4. The MACC automatically handles the shift of the 40-bit value as it is written as a succession of 8-bit values. The writes can be left-shifted 0 to 7 bits depending upon the value of IN_SHIFT. The NOISE field, bit 6 of the MACC_CTL register, sets the value used to fill the least significant bits vacated during the left-shift operation.

Example 1. When IN_SHIFT = 000b, writes to the MACC Accumulator registers are not shifted. If the MACC Accumulator is loaded with a 40-bit value using a succession of 8-bit writes, the procedure appears as follows:

1. Write the least significant byte to the MACC Accumulator
MACC Accumulator [7:0] = MACC_AC0[7:0] = DATA_IN[7:0]
2. Write the second byte to the MACC Accumulator
MACC Accumulator [15:8] = MACC_AC1[7:0] = DATA_IN[7:0]
3. Write the third byte to the MACC Accumulator
MACC Accumulator [23:16] = MACC_AC2[7:0] = DATA_IN[7:0]
4. Write the fourth byte to the MACC Accumulator
MACC Accumulator [31:24] = MACC_AC3[7:0] = DATA_IN[7:0]
5. Write the most significant byte to the MACC Accumulator
MACC Accumulator [39:32] = MACC_AC4[7:0] = DATA_IN[7:0]

Example 2. When IN_SHIFT = 011b and NOISE = 1, writes to the MACC Accumulator registers are left-shifted by 3 bits. The 3 least significant bits are filled with a NOISE value of 1. If the MACC Accumulator is loaded with a 40-bit value using a succession of 8-bit writes, the procedure appears as follows:

1. Write the least significant byte to the MACC Accumulator
MACC Accumulator [10:0] = {MACC_AC0[7:0], 111b} = {DATA_IN[7:0], 111b}
2. Write the second byte to the MACC Accumulator
MACC Accumulator [18:11] = MACC_AC1[7:0] = DATA_IN[7:0]
3. Write the third byte to the MACC Accumulator
MACC Accumulator [26:19] = MACC_AC2[7:0] = DATA_IN[7:0]

4. Write the fourth byte to the MACC Accumulator
MACC Accumulator [34:27] = MACC_AC3[7:0] = DATA_IN[7:0]
5. Write the most significant byte to the MACC Accumulator
MACC Accumulator [39:35] = MACC_AC4[4:0] = DATA_IN[4:0]

In Example 2, notice that the upper 3 bits of the final write are ignored.

OUT_SHIFT Function

The OUT_SHIFT field, bits 5:3 of the MACC_CTL register, defines the magnitude of the right-shift that is performed when the CPU reads a result from the MACC Accumulator registers MACC_AC0, MACC_AC1, MACC_AC2, MACC_AC3, and MACC_AC4. The MACC automatically manipulates the shift of the 40-bit value as it is read as a succession of 8-bit values. The READs can be right-shifted 0 to 7 bits depending upon the value of OUT_SHIFT. Because the MACC Accumulator value is a two's-complement value, the upper bits are filled with copies of the sign bit, bit 39, during the right-shift operation.

Example 1. When OUT_SHIFT = 000b, reads from the MACC Accumulator registers are not shifted. If the 40-bit MACC Accumulator value is read using a succession of 8-bit READs, the procedure appears as follows:

1. Read the least significant byte from the MACC Accumulator
DATA_OUT[7:0] = MACC_AC0[7:0] = MACC Accumulator [7:0]
2. Read the second byte from the MACC Accumulator
DATA_OUT[7:0] = MACC_AC1[7:0] = MACC Accumulator [15:8]
3. Read the third byte from the MACC Accumulator
DATA_OUT[7:0] = MACC_AC2[7:0] = MACC Accumulator [23:16]
4. Read the fourth byte from the MACC Accumulator
DATA_OUT[7:0] = MACC_AC2[7:0] = MACC Accumulator [31:24]
5. Read the most significant byte from the MACC Accumulator
DATA_OUT[7:0] = MACC_AC2[7:0] = MACC Accumulator [39:32]

Example 2. When OUT_SHIFT = 011b, READs from the MACC Accumulator registers are right-shifted by 3 bits. The 3 most significant bits are filled with copies of the most significant bit of the 40-bit MACC Accumulator. In this example, assume the MACC Accumulator currently contains a positive number so that the most sig-



nificant bit is 0. If the 40-bit MACC Accumulator value is read using a succession of 8-bit reads, the procedure appears as follows:

1. Read the least significant byte from the MACC Accumulator
DATA_OUT[7:0] = MACC_AC0[7:0] = MACC Accumulator [10:3]
2. Read the second byte from the MACC Accumulator
DATA_OUT[7:0] = MACC_AC1[7:0] = MACC Accumulator [18:11]
3. Read the third byte from the MACC Accumulator
DATA_OUT[7:0] = MACC_AC2[7:0] = MACC Accumulator [26:19]
4. Read the fourth byte from the MACC Accumulator
DATA_OUT[7:0] = MACC_AC3[7:0] = MACC Accumulator [34:27]
5. Read the most significant byte from the MACC Accumulator
DATA_OUT[7:0] = MACC_AC4[7:0] = {000b, MACC Accumulator [39:35]}

In Example 2, notice that the upper 3 bits of the final read contain copies of the sign bit (in this example, the sign bit is 0, which represents a positive number).

Recommended Operation

Setting Up A New Calculation

The following procedure sets up a new calculation.

1. Load the data into the MACC's *x* and *y* RAM spaces.
2. Read the status register, MACC_STAT. If the DATA bank status is EMPTY or DONE, a new calculation can be written to the DATA bank registers. If the DATA bank status is DONE, the result currently available in the MACC Accumulator registers are lost if not read prior to a write.
3. Use the OTI2R instruction to load the new calculation. Registers to be written may include nearly any combination of MACC_xSTART, MACC_xEND, MACC_xRELOAD, MACC_ySTART, MACC_yEND, MACC_yRELOAD, MACC_LENGTH, MACC_CTL, and MACC_ACx. If the OTI2R instruction is set up to end with either MACC_CTL or any of the MACC_ACx registers, the DATA bank status changes to READY.
4. If the MACC is ready to begin a new calculation (CALC bank is EMPTY or DONE), the banks are automatically switched to begin execution. The equation that is set up in the DATA bank is transferred to the CALC bank. The CALC bank status changes to IN PROGRESS.

Retrieve A Calculation

The following procedure retrieves the results of a calculation.

1. Read the status register. If the Multiply-Accumulator has not completed the previous calculation provided, the application must wait until the Multiply-Accumulator completes the calculation, at which time the CALC bank status changes to DONE.
2. If the DATA bank status is EMPTY and the CALC bank status is DONE, write 80h to the status register. As a result, the register banks are swapped so that the DATA status becomes DONE.
3. If both status fields indicate EMPTY, there is no result to retrieve.
4. If the DATA bank status is DONE, the application reads as many of the MAC_AC0–3 registers as desired. Because the Multiply-Accumulator decodes the A15:8 lines to determine when a transfer is complete, this register READ can be initiated with an INI2R instruction. Reading the final byte of the result changes the DATA bank status to EMPTY unless there is another result to retrieve. If such is the case, the CALC bank status changes to EMPTY and the DATA bank status changes to DONE.

MACC RAM

The eZ80190 device features 1KB of dual-port RAM available for use with the Multiply-Accumulator, as illustrated in [Figure 23](#). From the CPU, MACC RAM appears as a 1KB block of 8-bit RAM. To the Multiply-Accumulator, MACC RAM appears as two blocks of 256x16-bit RAM. The CPU provides Read/Write access to one port of the MACC RAM. The Multiply-Accumulator provides Read Only access to the second port of the MACC RAM.

As described in [Random Access Memory](#) on page 57, MACC RAM is accessed by the CPU in the memory address space from {RAM_ADDR_U[7:0], DC00h} to {RAM_ADDR_U[7:0], DFFFh}. The upper byte of the MACC RAM address is received from the RAM Address Upper Byte register, RAM_ADDR_U. The MACC X data is stored in the lower 512 bytes of the MACC RAM memory address space from DC00h to DDFh. The MACC y data is stored in the upper 512 bytes of the MACC RAM memory address space from DE00h to DFFFh. The least significant byte, bits [7:0] of the 16-bit x and y data, is stored in the even memory addresses. The most significant byte, bits [15:8], are stored in the odd memory addresses. The data in MACC RAM must be stored in two's-complement form.

MACC RAM Address Indexing

For each calculation that the MACC is to perform, the software must arrange the two vectors/arrays to be multiplied and accumulated. One vector must be written

to x RAM while the other vector must be written to y RAM. The software then writes values to the MACC control registers to indicate where the x and y data is to be stored for the current calculation. For both x and y data, there are 3 values defining the data location:

1. MACC_xSTART and MACC_ySTART define the address of the first x and y values to be multiplied together.
2. MACC_xEND and MACC_yEND define the end of the *linear* address space for the x and y data, respectively. After either the x or y ending value is reached, the next address is defined by MACC_xRELOAD or MACC_yRELOAD, respectively.
3. MACC_xRELOAD and MACC_yRELOAD define the circular address to be used when either the x index counter or the y index counter reaches the ending value for the linear address space.

An example of address indexing for a MACC calculation is illustrated in [Figure 24](#). The first value is the address returned by the MACC_xSTART register, taken from the x RAM memory location. The address increments linearly until the value is used from the address returned by the MACC_xEND register. Instead of incrementing to the next linear address, the next value is taken from the address returned by the MACC_xRELOAD register. Incrementing recommences until the required number of multiply-accumulate operations is completed, as defined by the value in the MACC_LENGTH register.

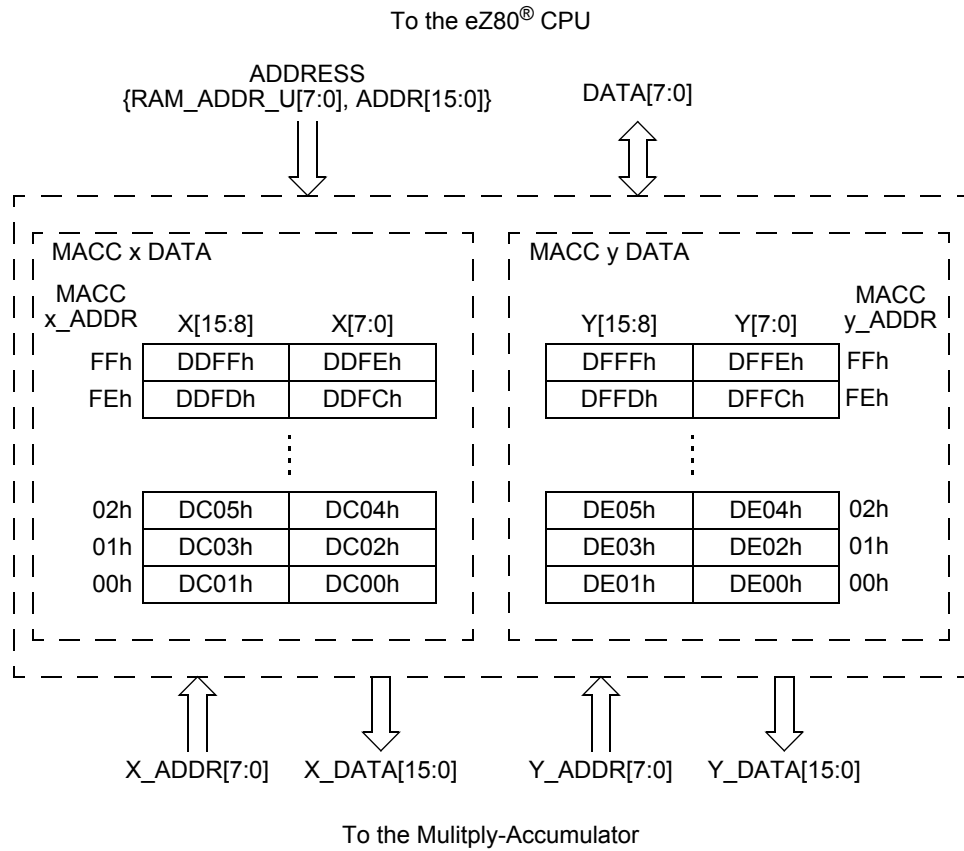


Figure 23. MACC RAM Block Diagram

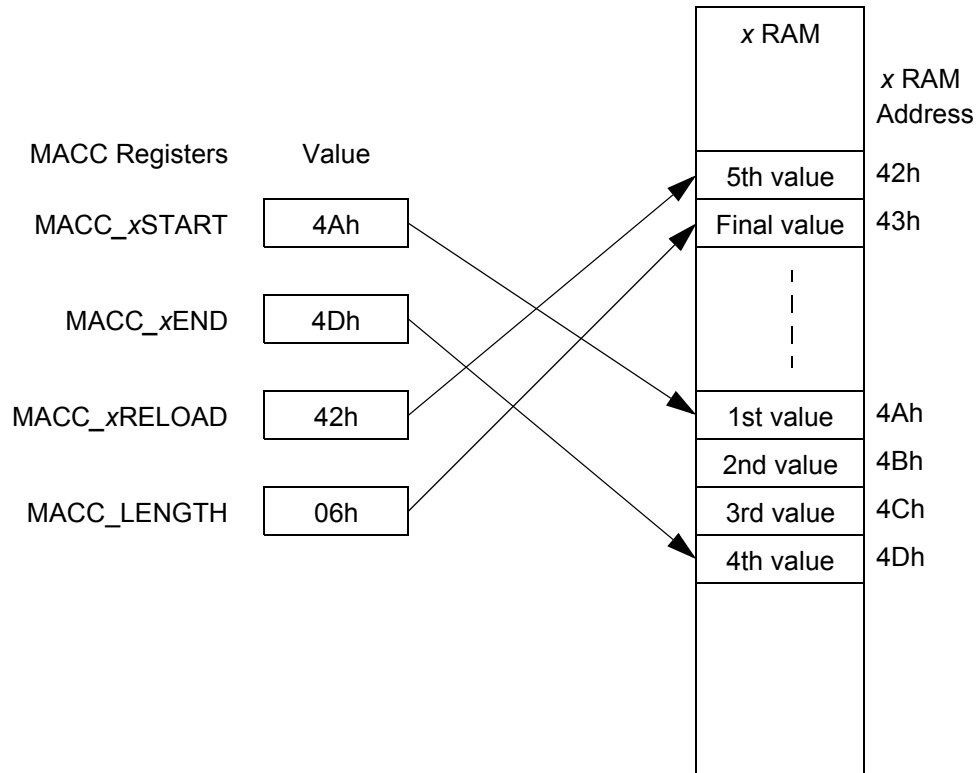


Figure 24. MACC RAM Address Indexing

Multiply-Accumulator Control And Data Registers

The MACC is divided into two separate operating banks. The CPU can only access the current DATA bank via the control and data registers (described in this section). To access the registers associated with the current CALC bank, the two banks must be swapped.

MACC x DATA Starting Address Register

The MACC_xSTART register, indicated in [Table 60](#), defines the starting address for the MACC to read 16-bit values from the x DATA for performing its calculations.

**Table 60. MACC x DATA Starting Address Register
(MACC_xSTART = E0h)**

Bit	7	6	5	4	3	2	1	0
Reset	0	0	0	0	0	0	0	0
CPU Access	R/W	R/W	R/W	R/W	R/W	R/W	R/W	R/W

Note: R/W = Read/Write.

Bit Position	Value	Description
[7:0]	00h–	The starting address for MACC RAM x DATA.
MACC_xSTART	FFh	

MACC x DATA Ending Address Register

The MACC_xEND register, indicated in [Table 61](#), defines the ending address for the MACC to read 16-bit values from the x DATA for performing its calculations.

**Table 61. MACC x DATA Ending Address Register
(MACC_xEND = E1h)**

Bit	7	6	5	4	3	2	1	0
Reset	0	0	0	0	0	0	0	0
CPU Access	R/W	R/W	R/W	R/W	R/W	R/W	R/W	R/W

Note: R/W = Read/Write.

Bit Position	Value	Description
[7:0]	00h–	The ending address for MACC RAM x DATA.
MACC_xEND	FFh	

MACC x DATA Reload Address Register

The MACC_xRELOAD register, indicated in [Table 62](#), defines the reload address within the x data of MACC RAM. When the x data address increments to the value in the MACC_xEND register, the next x data address is taken from this MACC_xRELOAD register.

**Table 62. MACC x DATA Reload Address Register
(MACC_xRELOAD = E2h)**

Bit	7	6	5	4	3	2	1	0
Reset	0	0	0	0	0	0	0	0
CPU Access	R/W	R/W	R/W	R/W	R/W	R/W	R/W	R/W

Note: R/W = Read/Write.

Bit Position	Value	Description
[7:0] MACC_xRELOAD	00h– FFh	The reload address for MACC RAM x DATA.

MACC Length Register

The MACC_LENGTH register, indicated in [Table 63](#), defines the total number of x and y data pairs that are multiplied and accumulated for the MACC operation.

**Table 63. MACC Length Register
(MACC_LENGTH = E3h)**

Bit	7	6	5	4	3	2	1	0
Reset	0	0	0	0	0	0	0	0
CPU Access	R/W	R/W	R/W	R/W	R/W	R/W	R/W	R/W

Note: R/W = Read/Write.

Bit Position	Value	Description
[7:0] MACC_LENGTH	00h– FFh	Total number of address pairs to be multiplied and accumulated for the current MACC operation.

MACC y DATA Starting Address Register

The MACC_ySTART register, indicated in [Table 64](#), defines the starting address for the MACC to read 16-bit values from the y DATA for performing its calculations.

**Table 64. MACC y DATA Starting Address Register
(MACC_ySTART = E4h)**

Bit	7	6	5	4	3	2	1	0
Reset	0	0	0	0	0	0	0	0
CPU Access	R/W	R/W	R/W	R/W	R/W	R/W	R/W	R/W

Note: R/W = Read/Write.

Bit Position	Value	Description
[7:0] MACC_ySTART	00h– FFh	Starting address for the y DATA of MACC RAM.

MACC y DATA Ending Address Register

The MACC_yEND register, indicated in [Table 65](#), defines the ending address for the MACC to read 16-bit values from the y DATA for performing its calculations.

**Table 65. MACC y DATA Ending Address Register
(MACC_yEND = E5h)**

Bit	7	6	5	4	3	2	1	0
Reset	0	0	0	0	0	0	0	0
CPU Access	R/W	R/W	R/W	R/W	R/W	R/W	R/W	R/W

Note: R/W = Read/Write.

Bit Position	Value	Description
[7:0] MACC_yEND	00h– FFh	Ending address for the y DATA of MACC RAM.

MACC y DATA Reload Address Register

The MACC_yRELOAD register, indicated in [Table 66](#), defines the reload address within the y DATA of MACC RAM. When the y DATA address increments to the value in MACC_yEND, the next y DATA address is taken from this MACC_yRELOAD register.

**Table 66. MACC y DATA Reload Address Register
(MACC_yRELOAD = E6h)**

Bit	7	6	5	4	3	2	1	0
Reset	0	0	0	0	0	0	0	0
CPU Access	R/W	R/W	R/W	R/W	R/W	R/W	R/W	R/W

Note: R/W = Read/Write.

Bit Position	Value	Description
[7:0] MACC_yRELOAD	00h– FFh	Reload address for the y DATA of MACC RAM.

MACC Control Register

The MACC Control register, indicated in [Table 67](#), provides added MACC features including interrupt enable on completion of calculation. All writes to this register clear the 40-bit accumulator to 0 (MACC_ACx = 00h).

**Table 67. MACC Control Register
(MACC_CTL = E7h)**

Bit	7	6	5	4	3	2	1	0
Reset	0	0	0	0	0	0	0	0
CPU Access	R/W	R/W	R/W	R/W	R/W	R/W	R/W	R/W

Note: R/W = Read/Write.

Bit Position	Value	Description
7 MACC_IE	0 1	MACC interrupt is disabled. The MACC interrupt is enabled for the calculation currently being defined. The MACC generates an interrupt request to the CPU when it completes this calculation (DONE).
6 NOISE	0 1	All NOISE bits added to the accumulator using IN_SHIFT are 0. All NOISE bits added to the accumulator using IN_SHIFT are 1.

Bit Position	Value	Description
[5:3] OUT_SHIFT	000	No right-shift is performed during READs from the MACC Accumulator registers by the CPU. DATA_OUT[40:0] = MACC_ACx[39:0].
	001	Reads from the MACC Accumulator registers by the CPU are right-shifted by 1 bit with a fill by the sign bit (msb = bit 39). DATA_OUT[40:0] = {2{MACC_ACx[39]}, MACC_ACx[38:1]}.
	010	Reads from the MACC Accumulator registers by the CPU are right-shifted by 2 bits with a fill by the sign bit (msb = bit 39). DATA_OUT[40:0] = {3{MACC_ACx[39]}, MACC_ACx[38:2]}.
	011	Reads from the MACC Accumulator registers by the CPU are right-shifted by 3 bits with a fill by the sign bit (msb = bit 39). DATA_OUT[40:0] = {4{MACC_ACx[39]}, MACC_ACx[38:3]}.
	100	Reads from the MACC Accumulator registers by the CPU are right-shifted by 4 bits with a fill by the sign bit (msb = bit 39). DATA_OUT[40:0] = {5{MACC_ACx[39]}, MACC_ACx[38:4]}.
	101	Reads from the MACC Accumulator registers by the CPU are right-shifted by 5 bits with a fill by the sign bit (msb = bit 39). DATA_OUT[40:0] = {6{MACC_ACx[39]}, MACC_ACx[38:5]}.
	110	Reads from the MACC Accumulator registers by the CPU are right-shifted by 6 bits with a fill by the sign bit (msb = bit 39). DATA_OUT[40:0] = {7{MACC_ACx[39]}, MACC_ACx[38:6]}.
	111	Reads from the MACC Accumulator registers by the CPU are right-shifted by 7 bits with a fill by the sign bit (msb = bit 39). DATA_OUT[40:0] = {8{MACC_ACx[39]}, MACC_ACx[38:7]}.

Bit Position	Value	Description
[2:0] IN_SHIFT	000	No left-shift is performed during writes to the MACC Accumulator registers by the CPU. MACC_ACx[39:0] = DATA_IN[39:0]
	001	Writes to the MACC Accumulator registers by the CPU are left-shifted by 1 bit with 1 NOISE bit filling the least significant bit. MACC_ACx[39:0] = {DATA_IN[38:0], NOISE}
	010	Writes to the MACC Accumulator registers by the CPU are left-shifted by 2 bits with repeated NOISE bits filling the least significant bits. MACC_ACx[39:0] = {DATA_IN[37:0], 2{NOISE}}
	011	Writes to the MACC Accumulator registers by the CPU are left-shifted by 3 bits with repeated NOISE bits filling the least significant bits. MACC_ACx[39:0] = {DATA_IN[36:0], 3{NOISE}}
	100	Writes to the MACC Accumulator registers by the CPU are left-shifted by 4 bits with repeated NOISE bits filling the least significant bits. MACC_ACx[39:0] = {DATA_IN[35:0], 4{NOISE}}
	101	Writes to the MACC Accumulator registers by the CPU are left-shifted by 5 bits with repeated NOISE bits filling the least significant bits. MACC_ACx[39:0] = {DATA_IN[34:0], 5{NOISE}}
	110	Writes to the MACC Accumulator registers by the CPU are left-shifted by 6 bits with repeated NOISE bits filling the least significant bits. MACC_ACx[39:0] = {DATA_IN[33:0], 6{NOISE}}
	111	Writes to the MACC Accumulator registers by the CPU are left-shifted by 7 bits with repeated NOISE bits filling the least significant bits. MACC_ACx[39:0] = {DATA_IN[32:0], 7{NOISE}}

MACC Accumulator Byte 0 Register

The MACC_AC0 register, indicated in [Table 68](#), contains the least significant byte (bits 7:0) of the 40-bit MACC Accumulator.

**Table 68. MACC Accumulator Byte 0 Register
(MACC_AC0 = E8h)**

Bit	7	6	5	4	3	2	1	0
Reset	X	X	X	X	X	X	X	X
CPU Access	R/W	R/W	R/W	R/W	R/W	R/W	R/W	R/W

Note: X = Undefined; R/W = Read/Write.

Bit Position	Value	Description
[7:0] MACC_AC0	00h– FFh	MACC Accumulator bits 7:0.

MACC Accumulator Byte 1 Register

The MACC_AC1 register, indicated in [Table 69](#), contains bits 15:8 of the 40-bit MACC Accumulator.

**Table 69. MACC Accumulator Byte 1 Register
(MACC_AC1 = E9h)**

Bit	7	6	5	4	3	2	1	0
Reset	X	X	X	X	X	X	X	X
CPU Access	R/W	R/W	R/W	R/W	R/W	R/W	R/W	R/W

Note: X = Undefined; R/W = Read/Write.

Bit Position	Value	Description
[7:0] MACC_AC1	00h– FFh	MACC Accumulator bits 15:8.

MACC Accumulator Byte 2 Register

The MACC_AC2 register, indicated in [Table 70](#), contains bits 23:16 of the 40-bit MACC Accumulator.

**Table 70. MACC Accumulator Byte 2 Register
(MACC_AC2 = EAh)**

Bit	7	6	5	4	3	2	1	0
Reset	X	X	X	X	X	X	X	X
CPU Access	R/W	R/W	R/W	R/W	R/W	R/W	R/W	R/W

Note: X = Undefined; R/W = Read/Write.

Bit Position	Value	Description
[7:0] MACC_AC2	00h– FFh	MACC Accumulator bits 23:16.

MACC Accumulator Byte 3 Register

The MACC_AC3 register, indicated in [Table 71](#), contains bits 31:24 of the 40-bit MACC Accumulator.

**Table 71. MACC Accumulator Byte 3 Register
(MACC_AC3 = EBh)**

Bit	7	6	5	4	3	2	1	0
Reset	X	X	X	X	X	X	X	X
CPU Access	R/W	R/W	R/W	R/W	R/W	R/W	R/W	R/W

Note: X = Undefined; R/W = Read/Write.

Bit Position	Value	Description
[7:0] MACC_AC3	00h– FFh	MACC Accumulator bits 31:24.

MACC Accumulator Byte 4 Register

The MACC_AC4 register contains the most significant byte (bits 39:32) of the 40-bit MACC Accumulator. Reading this register changes the status of the DATA bank to EMPTY. Also, if the CALC bank status is DONE, reading this register swaps the banks. In this case, the ending status of the DATA bank is DONE while the CALC bank is EMPTY.

Writing to the MACC_AC4 register, indicated in [Table 72](#), changes the status of the DATA bank from EMPTY to READY. If the MACC is ready to begin a new calculation, the banks are swapped and the new calculation begins (CALC bank status becomes IN PROGRESS).

**Table 72. MACC Accumulator Byte 4 Register
(MACC_AC4 = ECh)**

Bit	7	6	5	4	3	2	1	0
Reset	X	X	X	X	X	X	X	X
CPU Access	R/W	R/W	R/W	R/W	R/W	R/W	R/W	R/W

Note: X = Undefined; R/W = Read/Write.

Bit Position	Value	Description
[7:0] MACC_AC4	00h– FFh	MACC Accumulator bits 39:32.

MACC Status Register

The MACC_STAT register, indicated in [Table 73](#), reflects the current status of the Multiply-Accumulator. Writing a value of 80h to the MACC_STAT register when the CALC bank has completed its calculation (DONE) and the DATA register is not loaded with a new calculation (EMPTY) swaps the banks to allow the pending result to be retrieved.

The eZ80190 device uses two distinct numbered banks, banks 0 and 1. The value in bit 4 of the MACC_STAT register indicates which of these two banks is currently accessible as the DATA bank. In general, there is no requirement for software to monitor which numbered bank is currently the DATA bank and which is the CALC bank.

**Table 73. MACC Status Register
(MACC_STAT = EDh)**

Bit	7	6	5	4	3	2	1	0
Reset	0	0	0	0	0	0	0	0
CPU Access	W	R	R	R	R	R	R	R

Note: R = Read; W = Write.

Bit Position	Value	Description
[7:5]	000	Reserved.
4 BANK	0	The current DATA bank is Bank 0. The current DATA bank is always reset to Bank 0 when both banks are EMPTY.
	1	The current CALC bank is Bank 1.
[3:2] CALC_STAT	00	The CALC bank is EMPTY. No calculation is set up for execution.
	01	Invalid.
	10	The CALC bank is IN PROGRESS. The MACC is currently executing on a data set.
	11	The CALC bank is DONE. The MACC has completed execution of the operations defined by the CALC bank control registers. The result is stored in the CALC bank accumulator registers. The CALC bank must be swapped with the DATA bank to allow the CPU to access the result.
[1:0] DATA_STAT	00	The DATA bank is EMPTY. No calculation is set up for execution.
	01	The DATA bank is READY. The calculation is prepared for execution.
	10	Invalid.
	11	The DATA bank is DONE. The DATA bank accumulator registers contain the result from a recently completed calculation. This result is not yet read by the CPU.

Interrupt Controller

The interrupt controller on the eZ80190 device routes the interrupt request signals from the internal peripherals and external devices (via the internal port I/O) to the eZ80[®] CPU. On the eZ80190 device, all interrupts use the CPU's vectored interrupt function. [Table 74](#) lists the vector for each of the interrupt sources. The interrupt sources are listed in order of their priority, with vector 00h being the highest-priority interrupt.

Table 74. Interrupt Vector Sources by Priority

Vector	Source	Vector	Source	Vector	Source	Vector	Source
00h	MACC	18h	Port A 1	30h	Port B 5	48h	Port D 1
02h	DMA 0	1Ah	Port A 2	32h	Port B 6	4Ah	Port D 2
04h	DMA 1	1Ch	Port A 3	34h	Port B 7	4Ch	Port D 3
06h	PRT 0	1Eh	Port A 4	36h	Port C 0	4Eh	Port D 4
08h	PRT 1	20h	Port A 5	38h	Port C 1	50h	Port D 5
0Ah	PRT 2	22h	Port A 6	3Ah	Port C 2	52h	Port D 6
0Ch	PRT 3	24h	Port A 7	3Ch	Port C 3	54h	Port D 7
0Eh	PRT 4	26h	Port B 0	3Eh	Port C 4	56h	Reserved
10h	PRT 5	28h	Port B 1	40h	Port C 5	58h	Reserved
12h	UZI 0	2Ah	Port B 2	42h	Port C 6	5Ah	Reserved
14h	UZI 1	2Ch	Port B 3	44h	Port C 7	5Ch	Reserved
16h	Port A 0	2Eh	Port B 4	46h	Port D 0	5Eh	Reserved

When any one or more of the interrupt requests (IRQs) become active, an interrupt request is generated by the interrupt controller and sent to the CPU. The corresponding 8-bit interrupt vector for the highest priority interrupt is placed on the 8-bit interrupt vector bus, IVECT[7:0]. The interrupt vector bus is internal to the eZ80190 device and is therefore not visible externally. The response time of the CPU to an interrupt request is a function of the current instruction being executed as well as the number of WAIT states being inserted. The interrupt vector, {I[7:0], IVECT[7:0]}, is visible on the address bus, ADDR[16:0], when the Interrupt Service Routine (ISR) begins. The response of the CPU to a vectored interrupt on the eZ80190 device is explained in [Table 75](#). The eZ80190 device does not support eZ80[®] Mode 0, Mode 1, or Mode 2 interrupts. Interrupt sources are required to be active until the ISR starts.

Table 75. Vectored Interrupt Operation

Memory Mode	ADL Bit	MADL Bit	Operation
Z80 Mode	0	0	<p>Read the LSB of the interrupt vector placed on the internal vectored interrupt bus, IVECT [7:0], by the interrupting peripheral.</p> <ul style="list-style-type: none"> • IEF1 \leftarrow 0 • IEF2 \leftarrow 0 • The Starting Program Counter is effectively {MBASE, PC[15:0]}. • Push the 2-byte return address PC[15:0] onto the ({MBASE, SPS}) stack. • The ADL mode bit remains cleared to 0. • The interrupt vector address is {MBASE, I[7:0], IVECT[7:0]}. • PC[15:0] \leftarrow ({MBASE, I[7:0], IVECT[7:0]}). • The Ending Program Counter is effectively {MBASE, PC[15:0]} = {MBASE, I[7:0], IVECT[7:0]}. • The interrupt service routine must end with RETI.
ADL Mode	1	0	<p>Read the LSB of the interrupt vector placed on the internal vectored interrupt bus, IVECT [7:0], by the interrupting peripheral.</p> <ul style="list-style-type: none"> • IEF1 \leftarrow 0 • IEF2 \leftarrow 0 • The Starting Program Counter is PC[23:0]. • Push the 3-byte return address, PC[23:0], onto the SPL stack. • The ADL mode bit remains set to 1. • The interrupt vector address is {00h, I[7:0], IVECT[7:0]}. • PC[23:0] \leftarrow ({00h, I[7:0], IVECT[7:0]}). • The Ending Program Counter is PC[23:0] = ({00h, I[7:0], IVECT[7:0]}). • The interrupt service routine must end with RETI.
Z80 Mode	0	1	<p>Read the LSB of the interrupt vector placed on the internal vectored interrupt bus, IVECT[7:0], bus by the interrupting peripheral.</p> <ul style="list-style-type: none"> • IEF1 \leftarrow 0 • IEF2 \leftarrow 0 • The Starting Program Counter is effectively {MBASE, PC[15:0]}. • Push the 2-byte return address, PC[15:0], onto the SPL stack. • Push a 02h byte onto the SPL stack to indicate an interrupt from Z80 mode (because ADL = 0). • Set the ADL mode bit to 1. • The interrupt vector address is {00h, I[7:0], IVECT[7:0]}. • PC[23:0] \leftarrow ({00h, I[7:0], IVECT[7:0]}). • The Ending Program Counter is PC[23:0] = ({00h, I[7:0], IVECT[7:0]}). • The interrupt service routine must end with RETI.L

**Table 75. Vectored Interrupt Operation (Continued)**

ADL Mode	1	1	<p>Read the LSB of the interrupt vector placed on the internal vectored interrupt bus, IVECT [7:0], by the interrupting peripheral.</p> <ul style="list-style-type: none"> • IEF1 \leftarrow 0 • IEF2 \leftarrow 0 • The Starting Program Counter is PC[23:0]. • Push the 3-byte return address, PC[23:0], onto the SPL stack. • Push a 03h byte onto the SPL stack to indicate an interrupt from ADL mode (because ADL = 1). • The ADL mode bit remains set to 1. • The interrupt vector address is {00h, I[7:0], IVECT[7:0]}. • PC[23:0] \leftarrow ({00h, I[7:0], IVECT[7:0]}). • The Ending Program Counter is PC[23:0] = ({00h, I[7:0], IVECT[7:0]}). • The interrupt service routine must end with RETI.L
----------	---	---	--

Direct Memory Access Controller

The eZ80190 device features two Direct Memory Access (DMA) channels. The DMA controller can be used for direct memory to memory data transfers without CPU intervention. There are two DMA channels, Channel 0 and Channel 1, each featuring independent control registers. Transfers can be either in BURST mode or CYCLE-STEAL mode.

In BURST mode, after the DMA controller gains access to the bus, it maintains control of the bus until the block data transfer is complete for that channel. In CYCLE-STEAL mode, after the DMA gains access to the bus, it transfers only one byte and then returns control of the bus to the CPU for eight clock cycles. The DMA then again requests the bus and gains access to transfer the next byte. This process continues until the programmed number of bytes are transferred.

- **Note:** The DMA channel cannot be used to transfer data to or from internal I/O registers. However, it can be used with external memory-mapped I/O devices.

DMA Programming

There are 18 registers that control DMA operation—nine control registers for DMA channel 0 operation and nine control registers for DMA channel 1 operation. In each channel, there are three registers for the 24-bit data transfer source address, three registers for the 24-bit data transfer destination address, two registers for the 16-bit byte count, and one register for DMA channel control.

If the DMA channel is enabled, it can take control of the system buses—ADDR[23:0], DATA[7:0], RD, and WR—and direct the transfer of data between memory locations. If the DMA channel is disabled, the DMA cannot initiate bus requests nor transfer data. The DMA is always disabled after RESET. External DMA master devices can force the eZ80190 device to release the bus for their use by driving the $\overline{\text{BUSREQ}}$ pin Low. To the eZ80190 CPU, this bus request signal operates the same as if it had originated from the internal DMA controllers. If both of these signals should occur simultaneously, the internal DMA bus request will hold a higher priority than a request from an external bus master device.

To configure the DMA registers for memory transfer, the Source and Destination address registers must be programmed. The byte count registers must be programmed with the number of bytes to be transferred. The DMA Control register must be programmed to select whether the Source and Destination address registers are incremented, decremented, or remain fixed during a transfer, whether the DMA outputs an interrupt when finished, and what data transfer mode the DMA employs. Finally, the DMA channel must be enabled to allow transfers to begin.

DMA Transfer Modes

There are two modes of operation for the DMA channels. The DMA can transfer data in BURST mode or CYCLE-STEAL mode. The data transfer mode is controlled by the BURST bit in the DMA Control registers (DMAx_CTL[4]).

In BURST mode, the DMA controller takes control of the bus within the eZ80190 device for the entire time period required to complete the data transfer. The CPU is idled while the DMA controller completes its BURST mode data transfer.

The default operation for the DMA controller is CYCLE-STEAL mode in which the DMA controller requests and then gains access to the bus for the transfer of only one byte at a time. After the transfer of each byte, the DMA returns control of the bus back to the CPU. The DMA then waits for the CPU to complete 8 clock cycles before again requesting control of the bus. As a result, other activities can proceed while the DMA is transferring data in the background. CYCLE-STEAL mode slows down the processing of the main program task of the CPU. See [Figure 25](#).

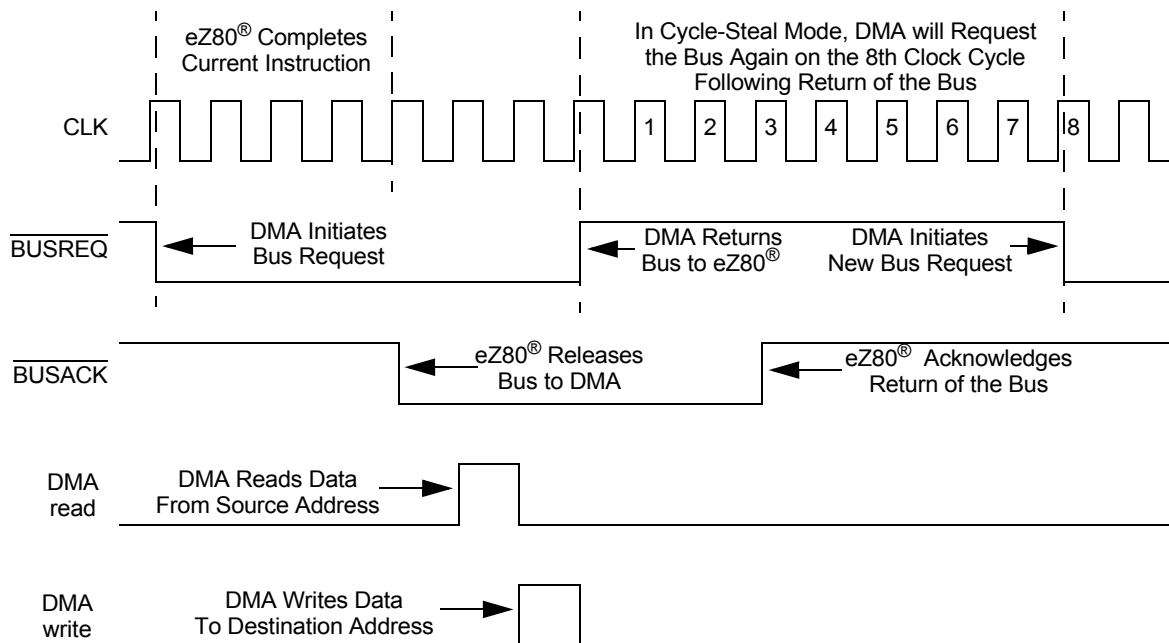


Figure 25. DMA CYCLE-STEAL Timing

DMA Channel Priorities

In all operating mode combinations, DMA Channel 0 is prioritized higher than DMA Channel 1. If Channel 0 is configured for BURST mode operation, Channel 0 completes its entire block transfer before Channel 1 begins its transfer.

When both channels are configured for CYCLE-STEAL mode, the 2 DMA channels alternate stealing execution cycles from the CPU. First, DMA Channel 0 performs a cycle-steal single-byte transfer then releases the bus to the CPU for the next 8 clock cycles. Then, DMA channel 1 requests the bus and gains access to pass one of its bytes. After DMA channel 1 completes the transfer of its byte, control is returned to the CPU for another 8 clock cycles. This process repeats until one or both of the DMA channels complete the transfer of all required bytes.

If DMA channel 0 is programmed in CYCLE-STEAL mode and DMA channel 1 is programmed in BURST mode, DMA channel 1 is not allowed to transfer its data until DMA channel 0 completes its entire transfer.

DMA Interrupts

Each DMA controller can generate an interrupt request to the CPU when its memory transfer is complete. The DMA interrupts are enabled by setting bit 6 in the DMA Control register (either DMA0_CTL or DMA1_CTL) to 1. The default operation is for the DMA interrupts to be disabled. Each DMA channel is capable of generating an interrupt when its 16-bit data byte transfer counter register reaches its terminal count of 0000h. The interrupts are cleared by resetting the DMA_EN bit field in the DMA Control registers to disable the DMA channel that is generating the input. Clearing the interrupt enable bit (DMAx_CTL[6] = IRQ_DMA) does not clear the interrupt to the CPU after it is set.

DMA Control Registers

Table 76 lists the control registers used by the DMA controller. These registers are accessed by the CPU using I/O instructions.

Table 76. DMA Registers

Name	Description	CPU Access	Reset Value	Register Address
DMA0_SAR_L	DMA0 Source Address Low Byte register	R/W	XX	EEh
DMA0_SAR_H	DMA0 Source Address High Byte register	R/W	XX	EFh
DMA0_SAR_U	DMA0 Source Address Upper Byte register	R/W	XX	F0h
DMA0_DAR_L	DMA0 Destination Address Low Byte register	R/W	XX	F1h
DMA0_DAR_H	DMA0 Destination Address High Byte register	R/W	XX	F2h
DMA0_DAR_U	DMA0 Destination Address Upper Byte register	R/W	XX	F3h
DMA0_BC_L	DMA0 Byte Count Low Byte register	R/W	00h	F4h
DMA0_BC_H	DMA0 Byte Count High Byte register	R/W	00h	F5h

Table 76. DMA Registers (Continued)

Name	Description	CPU Access	Reset Value	Register Address
DMA0_CTL	DMA0 Control register	R/W	00h	F6h
DMA1_SAR_L	DMA1 Source Address Low Byte register	R/W	XX	F7h
DMA1_SAR_H	DMA1 Source Address High Byte register	R/W	XX	F8h
DMA1_SAR_U	DMA1 Source Address Upper Byte register	R/W	XX	F9h
DMA1_DAR_L	DMA1 Destination Address Low Byte register	R/W	XX	FAh
DMA1_DAR_H	DMA1 Destination Address High Byte register	R/W	XX	FBh
DMA1_DAR_U	DMA1 Destination Address Upper Byte register	R/W	XX	FCh
DMA1_BC_L	DMA1 Byte Count Low Byte register	R/W	00h	FDh
DMA1_BC_H	DMA1 Byte Count High Byte register	R/W	00h	FEh
DMA1_CTL	DMA1 Control register	R/W	00h	FFh

DMA Source Address Registers

These two groups of registers hold the 24-bit addresses of the source memory location for DMA Channel 0 and Channel 1. Depending upon settings within the DMA Control registers' SARx_CTL fields, the 24-bit address values can automatically be incremented, decremented, or unchanged following the transfer of each byte of data. See [Table 77](#).

Table 77. DMA Source Address Registers
DMA0_SAR_L = EEh, DMA0_SAR_H = EFh, DMA0_SAR_U = F0h,
DMA1_SAR_L = F7h, DMA1_SAR_H = F8h, DMA1_SAR_U = F9h

Bit	7	6	5	4	3	2	1	0
Reset	X	X	X	X	X	X	X	X
CPU Access	R/W	R/W	R/W	R/W	R/W	R/W	R/W	R/W

Note: X = Undefined; R/W = Read/Write.

Bit Position	Value	Description
[7:0] DMAx_SAR_L, DMAx_SAR_H, or DMAx_SAR_U	00h– FFh	The 2 sets of DMA Source address registers contain the memory location addresses for the source of the data transfer. The 24-bit addresses are returned by {DMAx_SAR_U, DMAx_SAR_H, DMAx_SAR_L}, where x is either 0 or 1.

DMA Destination Address Registers

This group of registers holds the 24-bit address of the current destination memory location. Depending upon settings within the DMA Control registers' DMA_CTL fields, the 24-bit address values can automatically be incremented, decremented, or unchanged following transfer of each byte of data. See [Table 78](#).

Table 78. DMA Destination Address Registers
DMA0_DAR_L = F1h, DMA0_DAR_H = F2h, DMA0_DAR_U = F3h
DMA1_DAR_L = FAh, DMA1_DAR_H = FBh, DMA1_DAR_U = FCh

Bit	7	6	5	4	3	2	1	0
Reset	X	X	X	X	X	X	X	X
CPU Access	R/W	R/W	R/W	R/W	R/W	R/W	R/W	R/W

Note: X = Undefined; R/W = Read/Write.

Bit Position	Value	Description
[7:0] DMAx_DAR_L, DMAx_DAR_H, or DMAx_DAR_U	00h– FFh	The 2 sets of DMA Destination address registers contain the memory location addresses for the destination of the data transfer. The 24-bit addresses are returned by {DMAx_DAR_U, DMAx_DAR_H, DMAx_DAR_L} where x is either 0 or 1.

DMA Byte Count Registers

The two pairs of DMA Byte Count registers, indicated in [Table 79](#), contain the number of bytes to be transferred by the DMA channels. The 16-bit value, {DMAx_BC_H, DMAx_BC_L}, is decremented after each transfer. The DMA transfer is complete when the value decrements to 0000h. One to 65535 bytes can be transferred.

Table 79. DMA Byte Count Registers
DMA0_BC_L = F4h, DMA0_BC_H = F5h, DMA1_BC_L = FDh, DMA1_BC_H = FEh

Bit	7	6	5	4	3	2	1	0
Reset	0	0	0	0	0	0	0	0
CPU Access	R/W	R/W	R/W	R/W	R/W	R/W	R/W	R/W

Note: R/W = Read/Write.

Bit Position	Value	Description
[7:0] DMA0_BC_L or DMA0_BC_H	00h– FFh	The 2 pairs of DMA Byte Count registers contain the number of bytes to be transferred during the current operation. The 16-bit byte count values are returned by {DMA _x _BC_H, DMA _x _BC_L}, where x is either 0 or 1.

DMA Control Registers

Table 80 lists the control registers used by the DMA controller. These registers are accessed by the CPU using I/O instructions.

Table 80. DMA Control Registers
(DMA0_CTL = F6h, DMA1_CTL = FFh)

Bit	7	6	5	4	3	2	1	0
Reset	0	0	0	0	0	0	0	0
CPU Access	R/W	R/W	R/W	R/W	R/W	R/W	R/W	R/W

Note: R/W = Read/Write.

Bit Position	Value	Description
7 DMA_EN	0	The DMA channel is disabled. This bit must be reset to 0 by the software to remove DMA interrupt service requests.
	1	The DMA channel is enabled. This bit is not reset to 0 following completion of a DMA transfer.
6 IRQ_DMA	0	The interrupt is disabled for this DMA channel.
	1	The interrupt is enabled for this DMA channel.
5	0	Reserved—must be 0.
4 BURST	0	The DMA is configured for CYCLE-STEAL mode.
	1	The DMA is configured for BURST mode.



Bit Position	Value	Description
[3:2] DAR_CTL	00	The destination address is unchanged following the transfer of each byte.
	01	The destination address increments following the transfer of each byte.
	10	The destination address decrements following the transfer of each byte.
	11	Reserved.
[1:0] SAR_CTL	00	The source address is unchanged following the transfer of each byte.
	01	The source address increments following the transfer of each byte.
	10	The source address decrements following the transfer of each byte.
	11	Reserved.

ZiLOG Debug Interface

ZDI Overview

The ZiLOG Debug Interface (ZDI) provides a built-in debugging interface to the eZ80[®] CPU. ZDI provides basic in-circuit emulation features such as:

- Examining and modifying internal registers
- Examining and modifying memory
- Starting and stopping the user program
- Setting program and data break points
- Single-stepping the user program
- Executing user-supplied instructions
- Debugging the final product with the inclusion of one small connector
- Downloading code into SRAM
- C source-level debugging using ZiLOG Developer Studio II (ZDSII)

The above features are built into the silicon. Control is provided via a two-wire interface that is connected to the ZPAKII emulator. [Figure 26](#) illustrates a typical setup using a target board, ZPAKII, and the host PC running ZiLOG Developer Studio. Refer to the [ZiLOG web site](#) for more information on ZPAKII and ZDSII.

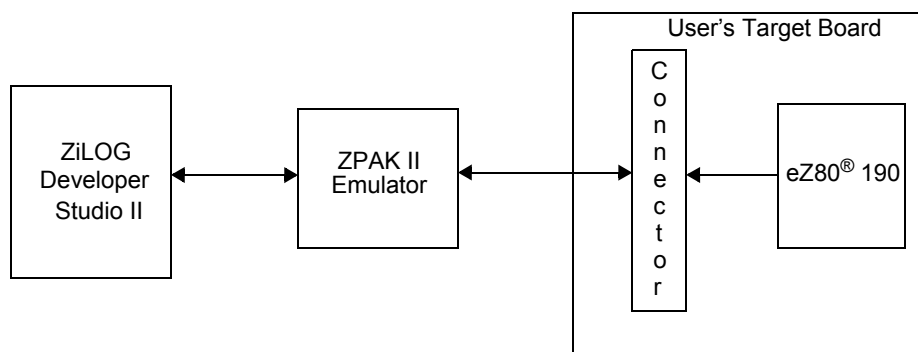


Figure 26. Typical ZDI Debug Setup

The ZDI block for the eZ80190 device provides increased functionality from previous versions. ZDI allows reading and writing of most of the internal registers without disturbing the state of the machine. New features allow READs and writes to

memory to occur as fast as the ZDI can download and upload data, with a maximum frequency of one-half the CPU clock frequency.

ZDI Interface

ZDI supports a bidirectional serial protocol. The protocol defines any device that sends data as the *transmitter* and any receiving device as the *receiver*. The device controlling the transfer is the *master* and the device being controlled is the *slave*. The master always initiates the data transfers and provides the clock for both receive and transmit operations. The ZDI block on the eZ80190 device is considered a slave in all data transfers.

Figure 27 illustrates the schematic for building a connector on a target board. This connector allows the user to connect directly to the ZPAKII emulator using a six-pin header.

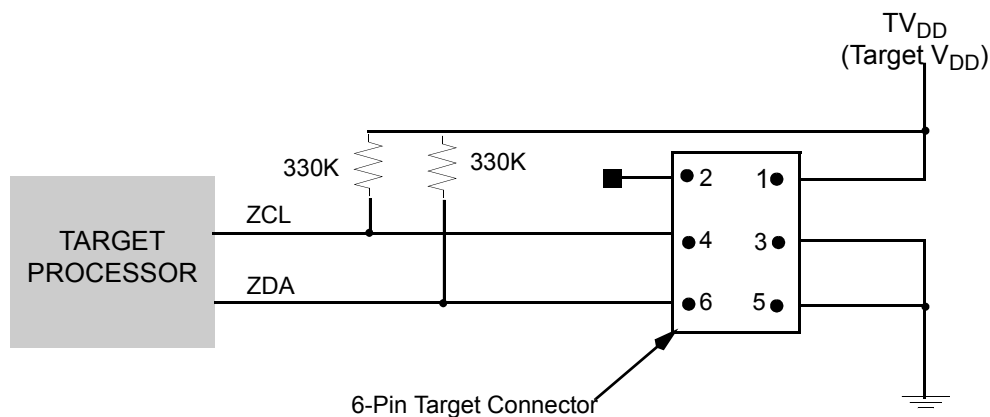


Figure 27. Schematic For Building a Target Board ZPAKII Connector

ZDI Clock and Data Conventions

The two pins used for communication with the ZDI block are the ZDI Clock pin (ZCL) and the ZDI Data pin (ZDA). For general data communication, the data value on the ZDA pin can change only when ZCL is Low (0). The only exception is the ZDI START bit, which is indicated by a High-to-Low transition (falling edge) on the ZDA pin while ZCL is High.

Data is shifted into and out of ZDI, with the most significant bit (bit 7) of each byte being transferred first, and the least significant bit (bit 0) transferred last. All information is passed between the master and the slave in 8-bit (single-byte) units. Each byte is transferred with nine clock cycles: eight to shift the data, and the ninth for internal operations.

ZDI START Condition

All ZDI commands are preceded by the ZDI START signal, which is a High-to-Low transition of ZDA when ZCL is High. The ZDI slave on the eZ80190 device continually monitors the ZDA and ZCL lines for the START signal and does not respond to any command until this condition is met. The master pulls ZDA Low, with ZCL High, to indicate the beginning of a data transfer with the ZDI block. Figures 28 and 29 illustrate a valid ZDI START signal prior to writing and reading data, respectively. A Low-to-High transition of ZDA while the ZCL is High produces no effect.

Data is shifted in during a write to the ZDI block on the rising edge of ZCL, as illustrated in Figure 28. Data is shifted out during a read from the ZDI block on the falling edge of ZCL, as illustrated in Figure 29. When an operation is completed, the master stops during the ninth cycle and holds the ZCL signal High.

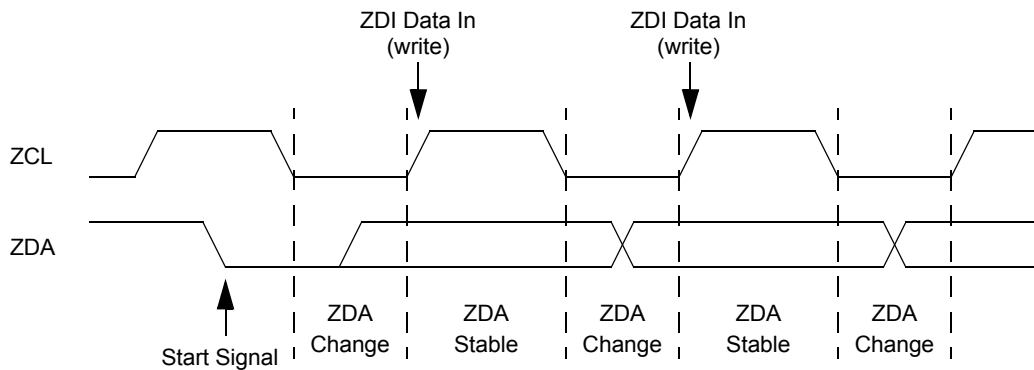


Figure 28. ZDI Write Timing

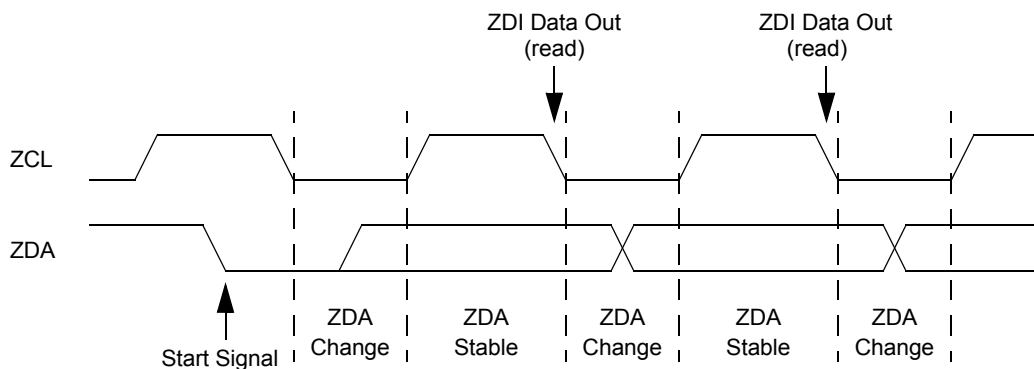


Figure 29. ZDI Read Timing

ZDI Single-Bit Byte Separator

Following each 8-bit ZDI data transfer, a single-bit byte separator is used. The ZDA pin should be forced High (1) prior to the ZCL rising edge for this 9th bit. For most ZDI operations, the ZDI register address automatically increments during this single-bit byte separator period. The same read or write operation as just completed can then be immediately performed on the next ZDI register. If a different operation or register address is required, a ZDI START signal during the byte separator bit can be used to terminate the previous read or write operation and signify initiation of a new ZDI register operation.

ZDI Register Addressing

Following a START signal, the ZDI master must output the ZDI register address. All data transfers with the ZDI block use special ZDI registers. The ZDI control registers that reside in the ZDI register address space should not be confused with the eZ80190 device peripheral registers that reside in the I/O addressing space of the eZ80190 device.

Many locations in the ZDI control register address space are shared by two registers, one for Read Only access and one for Write Only access. As an example, a read from ZDI register address `00h` returns the Product ID Low Byte while a write to this same location, `00h`, stores the Low byte of one of the address match values used for generating break points.

The format for a ZDI address is seven bits of address, followed by one bit for read or write control, and completed by a single-bit byte separator in which ZDA must be 1. The data separator time period is used to allow the ZDI master to send a new ZDI START signal, if necessary. The ZDI executes a read or write operation depending on the state of the R/W bit (0 = write, 1 = read). [Figure 30](#) illustrates the timing for address writes to ZDI registers.

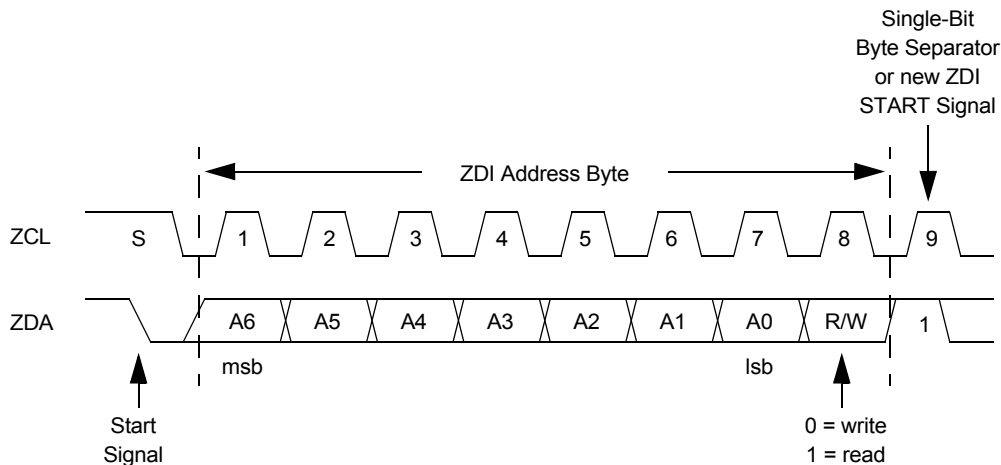


Figure 30. ZDI Address Write Timing

ZDI Write Operations

ZDI Single-Byte Write

For single-byte write operations, the address and write-control bit are first written to the ZDI block. Following the 1-bit byte separator, the data is shifted into the ZDI block on the next 8 rising edges of ZCL. The master terminates activity after 8 clock cycles. [Figure 31](#) illustrates the timing for ZDI single-byte WRITE operations.

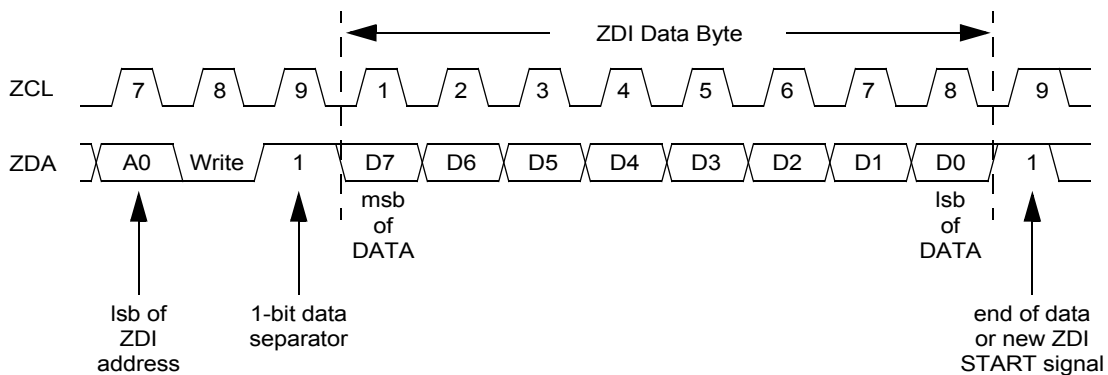


Figure 31. ZDI Single-Byte Data Write Timing

ZDI Block Write

The block WRITE operation is initiated in the same manner as the single-byte write operation. After the first data byte is transferred, the ZDI master continues to transmit additional bytes of data to the ZDI slave on the eZ80190 device. After the receipt of each byte of data the ZDI register address increments by one. If the ZDI register address reaches the end of the Write Only ZDI register address space (30h), the address stops incrementing. [Figure 32](#) illustrates the timing for ZDI block WRITE operations.

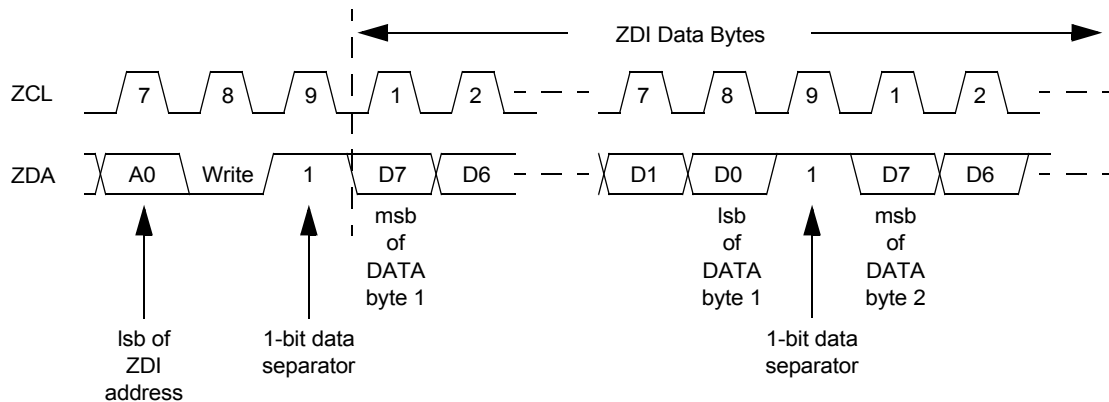


Figure 32. ZDI Block Data Write Timing

ZDI Read Operations

ZDI Single-Byte READ

Single-byte read operations are initiated in the same manner as single-byte write operations, with the exception that the R/W bit of the ZDI register address is set to 1. Upon receipt of a slave address with the R/W bit set to 1, the eZ80190 device's ZDI block loads the selected data into the shifter at the beginning of the first cycle following the 1-bit data separator. The most significant bit (msb) is shifted out first. [Figure 33](#) illustrates the timing for ZDI single-byte WRITE operations.

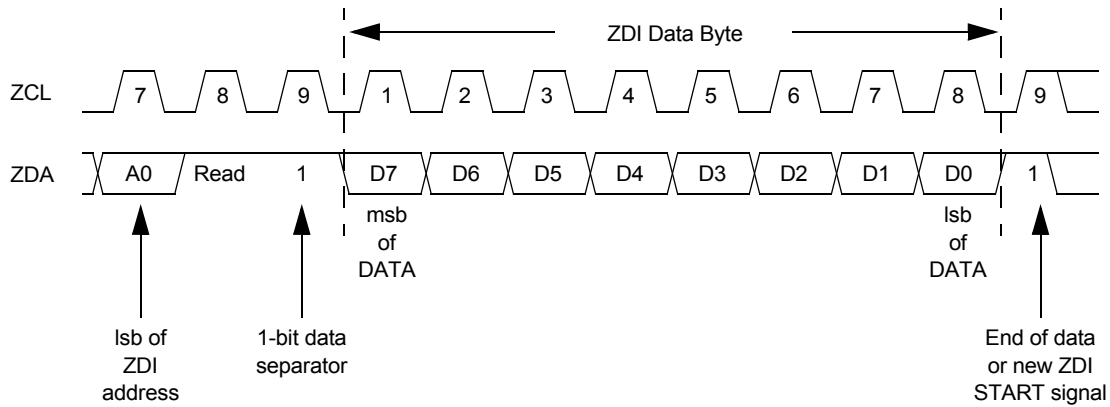


Figure 33. ZDI Single-Byte Data Read Timing

ZDI Block READ

A block READ operation is initiated the same as a single-byte read; however, the ZDI master continues to clock in the next byte from the ZDI slave as the ZDI slave continues to output data. The ZDI register address counter increments with each read. If the ZDI register address reaches the end of the Read Only ZDI register address space (20h), the address stops incrementing. Figure 34 illustrates ZDI block READ timing.

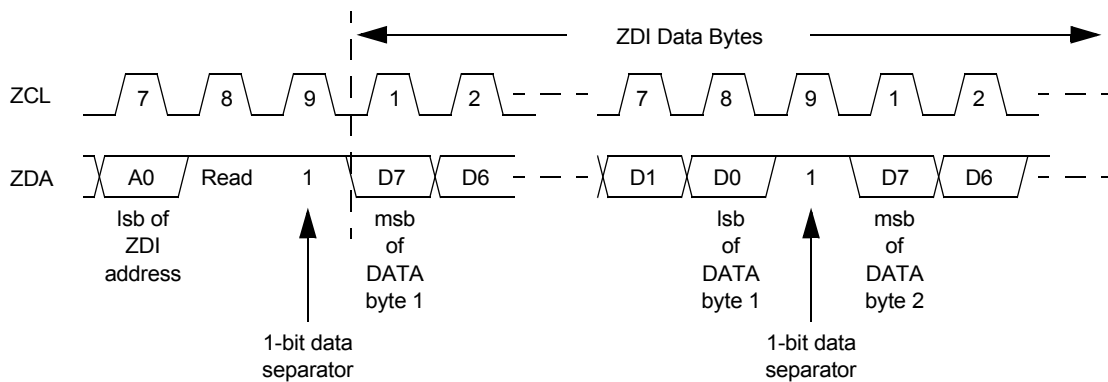


Figure 34. ZDI Block Data Read Timing

Operation Of The eZ80190 Device During ZDI Breakpoints

If the ZDI forces the CPU to break, only the CPU suspends operation. The system clock continues to operate and drive other peripherals. Those peripherals that can operate autonomously from the CPU may continue to operate, if so enabled. For

example, the Watch-Dog Timer and Programmable Reload Timers continue to count during a ZDI breakpoint.

When using the ZDI interface, any write or read operations of peripheral registers in the I/O address space produces the same effect as read or write operations using the CPU. Because many register Read/Write operations exhibit secondary effects, such as clearing flags or causing operations to commence, the effects of the Read/Write operations during a ZDI break must be taken into consideration. As an example, reading or writing the MACC Accumulator Byte 4 register can cause a bank switch to occur within the MACC.

ZDI Write Only Registers

[Table 81](#) lists the ZDI Write Only registers. Many of the ZDI Write Only addresses are shared with ZDI Read Only registers.

Table 81. ZDI Write Only Registers

ZDI Address	ZDI Register Name	ZDI Register Function	Reset Value	Page #
00h	ZDI_ADDR0_L	Address Match 0 Low Byte	XXh	155
01h	ZDI_ADDR0_H	Address Match 0 High Byte	XXh	
02h	ZDI_ADDR0_U	Address Match 0 Upper Byte	XXh	
04h	ZDI_ADDR1_L	Address Match 1 Low Byte	XXh	
05h	ZDI_ADDR1_H	Address Match 1 High Byte	XXh	
06h	ZDI_ADDR1_U	Address Match 1 Upper Byte	XXh	
08h	ZDI_ADDR2_L	Address Match 2 Low Byte	XXh	
09h	ZDI_ADDR2_H	Address Match 2 High Byte	XXh	
0Ah	ZDI_ADDR2_U	Address Match 2 Upper Byte	XXh	
0Ch	ZDI_ADDR3_L	Address Match 3 Low Byte	XXh	
0Dh	ZDI_ADDR3_H	Address Match 3 High Byte	XXh	
0Eh	ZDI_ADDR3_U	Address Match 4 Upper Byte	XXh	
10h	ZDI_BRK_CTL	Break Control register	00h	156
13h	ZDI_WR_DATA_L	Write Data Low Byte	XXh	158
14h	ZDI_WR_DATA_H	Write Data High Byte	XXh	158
15h	ZDI_WR_DATA_U	Write Data Upper Byte	XXh	158
16h	ZDI_RW_CTL	Read/Write Control register	00h	159



Table 81. ZDI Write Only Registers (Continued)

ZDI Address	ZDI Register Name	ZDI Register Function	Reset Value	Page #
21h	ZDI_IS4	Instruction Store 4	XXh	161
22h	ZDI_IS3	Instruction Store 3	XXh	
23h	ZDI_IS2	Instruction Store 2	XXh	
24h	ZDI_IS1	Instruction Store 1	XXh	
25h	ZDI_IS0	Instruction Store 0	XXh	
30h	ZDI_WR_MEM	Write Memory register	XXh	162

ZDI Read Only Registers

[Table 82](#) lists the ZDI Read Only registers. Many of the ZDI Read Only addresses are shared with ZDI Write Only registers.

Table 82. ZDI Read Only Registers

ZDI Address	ZDI Register Name	ZDI Register Function	Reset Value	Page #
00h	ZDI_ID_L	eZ80 [®] Product ID Low Byte register	05h	162
01h	ZDI_ID_H	eZ80 [®] Product ID High Byte register	00h	163
02h	ZDI_ID_REV	eZ80 [®] Product ID Revision register	XXh	163
03h	ZDI_STAT	Status register	00h	164
10h	ZDI_RD_L	Read Memory Address Low Byte register	XXh	165
11h	ZDI_RD_H	Read Memory Address High Byte register	XXh	165
12h	ZDI_RD_U	Read Memory Address Upper Byte register	XXh	165
20h	ZDI_RD_MEM	Read Memory Data Value	XXh	165

ZDI Register Definitions

ZDI Address Match Registers

The 4 sets of address match registers are used for setting the addresses for generating break points. When the accompanying BRK_ADDRx bit is set in the ZDI Break Control register to enable the particular address match, the current



eZ80190 device address is compared with the 3-byte address set, {ZDI_ADDRx_U, ZDI_ADDRx_H, ZDI_ADDR_x_L}. If the CPU is operating in ADL mode, the address is provided by ADDR[23:0]. If the CPU is operating in Z80 mode, the address is provided by {MBASE[7:0], ADDR[15:0]}. If a match is found, ZDI issues a break to the eZ80190 device placing the processor in ZDI mode pending further instructions from the ZDI interface block. If the address is not the first op-code fetch, the ZDI break is executed at the end of the instruction in which it is executed. There are four sets of address match registers. They can be used in conjunction with each other to break on branching instructions.

- **Note:** Due to pipelining functions within the CPU, if the ZDI match address is placed 1 or 2 bytes after completion of a repeating instruction (such as LDIR), the break is issued following completion of only a single cycle of the repeat. When execution is resumed, the repeating instruction completes as required.

Table 83. ZDI Address Match Registers

(ZDI_ADDR0_L = 00h, ZDI_ADDR0_H = 01h, ZDI_ADDR0_U = 02h, ZDI_ADDR1_L = 04h, ZDI_ADDR1_H = 05h, ZDI_ADDR1_U = 06h, ZDI_ADDR2_L = 08h, ZDI_ADDR2_H = 09h, ZDI_ADDR2_U = 0Ah, ZDI_ADDR3_L = 0Ch, ZDI_ADDR3_H = 0Dh, ZDI_ADDR3_U = 0Eh)

Bit	7	6	5	4	3	2	1	0
Reset	X	X	X	X	X	X	X	X
CPU Access	W	W	W	W	W	W	W	W

Note: X = Undefined; R/W = Read/Write.

Bit Position	Value	Description
[7:0] ZDI_ADDRX_L, ZDI_ADDRX_H, or ZDI_ADDRX_U	00h– FFh	The 4 sets of ZDI address match registers are used for setting the addresses for generating break points. The 24-bit addresses are returned by {ZDI_ADDRx_U, ZDI_ADDRx_H, ZDI_ADDRx_L, where x is 0, 1, 2, or 3.

ZDI Break Control Register

The ZDI Break Control register, [Table 84](#), is used to enable break points.

Table 84. ZDI Break Control Register
(ZDI_BRK_CTL = 10h in the ZDI Write Only Register Address Space)

Bit	7	6	5	4	3	2	1	0
Reset	0	0	0	0	0	0	0	0
CPU Access	W	W	W	W	W	W	W	W

Note: W = Write Only.

Bit Position	Value	Description
7 BRK_NEXT	0	The ZDI break on the next CPU instruction is disabled.
	1	The ZDI break on the next CPU instruction is enabled. The CPU is instructed to use multiple Op Codes and multiple byte operands. This function only breaks on the first Op Code in a multiple Op Code instruction. If both the ZCL and ZDA pins are forced Low (0) during a RESET, this bit is set to 1 and a break occurs on the first instruction following the RESET.
6 BRK_ADDR3	0	The ZDI break, upon matching break address 3, is disabled.
	1	The ZDI break, upon matching break address 3, is enabled. ZDI asserts a break when the CPU address, ADDR[23:0], matches the value in the ZDI Address Match 3 registers, {ZDI_ADDR3_U, ZDI_ADDR3_H, ZDI_ADDR3_L}. Breaks can only occur on an instruction boundary. If the address is not the beginning of an instruction, then the break occurs at the end of the current instruction. The break is implemented by setting the BRK_NEXT bit to 1. The BRK_NEXT bit must be reset to 0 to release the break.
5 BRK_ADDR2	0	The ZDI break, upon matching break address 2, is disabled.
	1	The ZDI break, upon matching break address 2, is enabled. ZDI asserts a break when the CPU address, ADDR[23:0], matches the value in the ZDI Address Match 2 registers, {ZDI_ADDR2_U, ZDI_ADDR2_H, ZDI_ADDR2_L}. Breaks can only occur on an instruction boundary. If the address is not the beginning of an instruction, then the break occurs at the end of the current instruction. The break is implemented by setting the BRK_NEXT bit to 1. The BRK_NEXT bit must be reset to 0 to release the break.

Bit Position	Value	Description
4 BRK_ADDR1	0	The ZDI break, upon matching break address 1, is disabled.
	1	The ZDI break, upon matching break address 1, is enabled. ZDI asserts a break when the CPU address, ADDR[23:0], matches the value in the ZDI Address Match 1 registers, {ZDI_ADDR1_U, ZDI_ADDR1_H, ZDI_ADDR1_L}. If the IGN_LOW_1 bit is set to 1, ZDI asserts a break with the upper two bytes of the CPU address, ADDR[23:8], and matches the value in the ZDI Address Match 1 High and Low Byte registers, {ZDI_ADDR1_U, ZDI_ADDR1_LH}. The lower byte of the address is ignored. Breaks can only occur on an instruction boundary. If the address is not the beginning of an instruction, then the break occurs at the end of the current instruction. The break is implemented by setting the BRK_NEXT bit to 1. The BRK_NEXT bit must be reset to 0 to release the break.
4 BRK_ADDR0	0	The ZDI break, upon matching break address 0, is disabled.
	1	The ZDI break, upon matching break address 0, is enabled. ZDI asserts a break when the CPU address, ADDR[23:0], matches the value in the ZDI Address Match 0 registers, {ZDI_ADDR0_U, ZDI_ADDR0_H, ZDI_ADDR0_L}. If the IGN_LOW_0 bit is set to 1, ZDI asserts a break with the upper two bytes of the CPU address, ADDR[23:8], and matches the value in the ZDI Address Match 0 High and Low Byte registers, {ZDI_ADDR0_U, ZDI_ADDR0_LH}. The lower byte of the address is ignored. Breaks can only occur on an instruction boundary. If the address is not the beginning of an instruction, then the break occurs at the end of the current instruction. The break is implemented by setting the BRK_NEXT bit to 1. The BRK_NEXT bit must be reset to 0 to release the break.
2 IGN_LOW_1	0	The <i>Ignore the Low byte</i> function of the ZDI Address Match 1 registers is disabled. If BRK_ADDR1 is set to 1, ZDI initiates a break when the entire 24-bit address, ADDR[23:0], matches the 3-byte value {ZDI_ADDR1_U, ZDI_ADDR1_H, ZDI_ADDR1_L}.
	1	The <i>Ignore the Low byte</i> function of the ZDI Address Match 1 registers is enabled. If BRK_ADDR1 is set to 1, ZDI initiates a break when only the upper 2 bytes of the 24-bit address, ADDR[23:8], match the 2-byte value {ZDI_ADDR1_U, ZDI_ADDR1_H}. As a result, a break can occur anywhere within a 256-byte page.

Bit Position	Value	Description
1 IGN_LOW_0	0	The <i>Ignore the Low byte</i> function of the ZDI Address Match 1 registers is disabled. If BRK_ADDR0 is set to 1, ZDI initiates a break when the entire 24-bit address, ADDR[23:0], matches the 3-byte value {ZDI_ADDR0_U, ZDI_ADDR0_H, ZDI_ADDR0_L}.
	1	The <i>Ignore the Low byte</i> function of the ZDI Address Match 1 registers is enabled. If the BRK_ADDR1 is set to 0, ZDI initiates a break when only the upper 2 bytes of the 24-bit address, ADDR[23:8], match the 2 bytes value {ZDI_ADDR0_U, ZDI_ADDR0_H}. As a result, a break can occur anywhere within a 256-byte page.
0 SINGLE_STEP	0	ZDI SINGLE STEP mode is disabled.
	1	ZDI SINGLE STEP mode is enabled. ZDI asserts a break following execution of each instruction.

ZDI Write Data Registers

Three registers are used in the ZDI Write Only register address space to store the data that is written when a write instruction is sent to the ZDI Read/Write Control register (ZDI_RW_CTL). The ZDI Read/Write Control register, indicated in [Table 86](#), is located at ZDI address `16h` immediately following the ZDI Write Data registers, in [Table 85](#). As a result, the ZDI master is allowed to write the data to {ZDI_WR_U, ZDI_WR_H, ZDI_WR_L} and the write command in one data transfer operation.

Table 85. ZDI Write Data Registers
(ZDI_WR_U = 13h, ZDI_WR_H = 14h, ZDI_WR_L = 15h)

Bit	7	6	5	4	3	2	1	0
Reset	X	X	X	X	X	X	X	X
CPU Access	W	W	W	W	W	W	W	W

Note: X = Undefined; W = Write.

Bit Position	Value	Description
[7:0] ZDI_WR_L, ZDI_WR_H, or ZDI_WR_L	00h– FFh	These registers contain the data that is written during execution of a write operation defined by the ZDI_RW_CTL register. The 24-bit data value is stored as {ZDI_WR_U, ZDI_WR_H, ZDI_WR_L}. If less than 24 bits of data are required to complete the required operation, the data is taken from the least significant byte(s).

ZDI Read/Write Control Register

The ZDI Read/Write Control register is used in the ZDI Write Only Register address to read data from, write data to, and manipulate the CPU's registers or memory locations. When this register is written, the eZ80190 device immediately performs the operation corresponding to the data value written as described in [Table 86](#). When a read operation is executed via this register, the requested data values are placed in the ZDI Read Data registers {ZDI_RD_U, ZDI_RD_H, ZDI_RD_L}. When a write operation is executed via this register, the write data is taken from the ZDI Write Data registers {ZDI_WR_U, ZDI_WR_H, ZDI_WR_L}. Refer to the eZ80[®] CPU User Manual for information regarding the CPU registers.

Table 86. ZDI Read/Write Control Register Functions
(ZDI_RW_CTL = 16h)

Hex Value	Command	Hex Value	Command
00	Read {MBase, A, F} ZDI_RD_U ← MBase ZDI_RD_H ← F ZDI_RD_L ← A	80	Write AF MBase ← ZDI_WR_U F ← ZDI_WR_H A ← ZDI_WR_L
01	Read BC ZDI_RD_U ← BCU ZDI_RD_H ← B ZDI_RD_L ← C	81	Write BC BCU ← ZDI_WR_U B ← ZDI_WR_H C ← ZDI_WR_L
02	Read DE ZDI_RD_U ← DEU ZDI_RD_H ← D ZDI_RD_L ← E	82	Write DE DEU ← ZDI_WR_U D ← ZDI_WR_H E ← ZDI_WR_L
03	Read HL ZDI_RD_U ← HLU ZDI_RD_H ← H ZDI_RD_L ← L	83	Write HL HLU ← ZDI_WR_U H ← ZDI_WR_H L ← ZDI_WR_L
04	Read IX ZDI_RD_U ← IXU ZDI_RD_H ← IXH ZDI_RD_L ← IXL	84	Write IX IXU ← ZDI_WR_U IXH ← ZDI_WR_H IXL ← ZDI_WR_L
05	Read IY ZDI_RD_U ← IYU ZDI_RD_H ← IYH ZDI_RD_L ← IYL	85	Write IY IYU ← ZDI_WR_U IYH ← ZDI_WR_H IYL ← ZDI_WR_L

Note: The CPU's alternate register set (A', F', B', C', D', E', HL') cannot be read directly. The ZDI programmer must execute the exchange instruction (EXX) to gain access to the alternate CPU register set.

**Table 86. ZDI Read/Write Control Register Functions
(ZDI_RW_CTL = 16h) (Continued)**

Hex Value	Command	Hex Value	Command
06	Read SP In ADL mode, SP = SPL. In Z80 mode, SP = SPS.	86	Write SP In ADL mode, SP = SPL. In Z80 mode, SP = SPS.
07	Read PC ZDI_RD_U ← PC[23:16] ZDI_RD_H ← PC[15:8] ZDI_RD_L ← PC[7:0]	87	Write PC PC[23:16] ← ZDI_WR_U PC[15:8] ← ZDI_WR_H PC[7:0] ← ZDI_WR_L
08	Set ADL ADL ← 1	88	Reserved
09	Reset ADL ADL ← 0	89	Reserved
0A	Exchange CPU register sets AF ← AF' BC ← BC' DE ← DE' HL ← HL'	8A	Reserved
0B	Read memory from current PC value, increment PC	8B	Write memory from current PC value, increment PC

Note: The CPU's alternate register set (A', F', B', C', D', E', HL') cannot be read directly. The ZDI programmer must execute the exchange instruction (EXX) to gain access to the alternate CPU register set.

Instruction Store 4:0 Registers

The ZDI Instruction Store registers, indicated in [Table 87](#), are located in the ZDI Register Write Only address space. They can be written with instruction data for direct execution by the CPU. When the ZDI_IS0 register is written, the eZ80190 device exits the ZDI BREAK mode and executes a single instruction. The Op Codes and operands for the instruction are received from these Instruction Store registers. Instruction Store Register 0 is the first byte fetched, followed by Instruction Store registers 1, 2, 3 and 4, as necessary. Only the bytes the processor requires to execute the instruction must be stored in these registers. Some eZ80[®] CPU instructions, when combined with the MEMORY mode suffixes (.SIS, .SIL, .LIS, or .LIL), require 6 bytes to operate. These 6-byte instructions cannot be executed directly using the ZDI Instruction Store registers.

- **Note:** The Instruction Store 0 register resides at a higher ZDI address than the other Instruction Store registers. This feature allows the use of the ZDI

auto-address increment function to load up and execute an instruction with a single data stream from the ZDI master.

Table 87. Instruction Store 4:0 Registers
(ZDI_IS4 = 21h, ZDI_IS3 = 22h, ZDI_IS2 = 23h, ZDI_IS1 = 24h, ZDI_IS0 = 25h)

Bit	7	6	5	4	3	2	1	0
Reset	X	X	X	X	X	X	X	X
CPU Access	W	W	W	W	W	W	W	W

Note: X = Undefined; W = Write.

Bit Position	Value	Description
[7:0] ZDI_IS4, ZDI_IS3, ZDI_IS2, ZDI_IS1, or ZDI_IS0	00h– FFh	These registers contain the Op Codes and operands for immediate execution by the CPU following a write to ZDI_IS0. The ZDI_IS0 register contains the first Op Code of the instruction. The remaining ZDI_ISx registers contain any additional Op Codes or operand dates required for execution of the required instruction.

ZDI Write Memory Register

A write to the ZDI Write Memory register, indicated in [Table 88](#), causes the eZ80190 device to write the 8-bit data to the memory location specified by the current address in the program counter. In Z80 MEMORY mode, this address is {MBASE, PC[15:0]}. In ADL MEMORY mode, this address is PC[23:0]. The program counter, PC, increments after each data write. However, the ZDI register address does not increment automatically when this register is accessed. As a result, the ZDI master is allowed to write any number of data bytes by writing to this address one time, and then writing any number of data bytes.

Table 88. ZDI Write Memory Register
(ZDI_WR_MEM = 30h in the ZDI Register Write Only Address Space)

Bit	7	6	5	4	3	2	1	0
Reset	X	X	X	X	X	X	X	X
CPU Access	W	W	W	W	W	W	W	W

Note: X = Undefined; W = Write.

Bit Position	Value	Description
[7:0] ZDI_WR_MEM	00h– FFh	The 8-bit data that is transferred to the ZDI slave following a write to this address is written to the address indicated by the current program counter. The program counter is incremented following each 8-bits of data. In Z80 MEMORY mode, ({MBASE, PC[15:0]}) ← 8 bits of transferred data. In ADL MEMORY mode, (PC[23:0]) ← 8-bits of transferred data.

eZ80[®] Product ID Low Byte Register

The Product ID Low and High Byte registers, indicated in [Table 89](#), combine to provide a means for an external device to determine the particular Product product being addressed. For the eZ80190 device, these two bytes {ZDI_ID_H, ZDI_ID_L}, return the value {00h, 05h}.

Table 89. eZ80[®] Product ID Low Byte Register
(ZDI_ID_L = 00h in ZDI Register Read Only Address Space)

Bit	7	6	5	4	3	2	1	0
Reset	0	0	0	0	0	1	0	1
CPU Access	R	R	R	R	R	R	R	R

Note: R = Read Only.

Bit Position	Value	Description
[7:0] ZDI_ID_L	05h	{ZDI_ID_H, ZDI_ID_L} = {00h, 05h} indicates the eZ80190 product.

eZ80[®] Product ID High Byte Register

The Product ID Low and High Byte registers, indicated in [Table 90](#), combine to provide a means for an external device to determine the particular Product product being addressed. For the eZ80190 device, these two bytes {ZDI_ID_H, ZDI_ID_L}, return the value {00h, 05h}.

Table 90. eZ80[®] Product ID High Byte Register
(ZDI_ID_H = 01h in the ZDI Register Read Only Address Space)

Bit	7	6	5	4	3	2	1	0
Reset	0	0	0	0	0	1	0	0
CPU Access	R	R	R	R	R	R	R	R

Note: R = Read Only.

Bit Position	Value	Description
[7:0] ZDI_ID_H	00h	{ZDI_ID_H, ZDI_ID_L} = {00h, 05h} indicates the eZ80190 product.

eZ80[®] Product ID Revision Register

The Product ID Revision register, indicated in [Table 91](#), identifies the current revision of the eZ80190 product. This number is changed for each revision.

Table 91. eZ80[®] Product ID Revision Register
(ZDI_ID_REV = 02h in the ZDI Register Read Only Address Space)

Bit	7	6	5	4	3	2	1	0
Reset	X	X	X	X	X	X	X	X
CPU Access	R	R	R	R	R	R	R	R

Note: X = Undetermined; R = Read Only.

Bit Position	Value	Description
[7:0] ZDI_ID_REV	00h– FFh	Identifies the current revision of the eZ80190 product.

ZDI Status Register

The ZDI Status register, indicated in [Table 92](#), provides current information on the eZ80190 device and the CPU.

Table 92. ZDI Status Register
(ZDI_STAT = 03h in the ZDI Register Read Only Address Space)

Bit	7	6	5	4	3	2	1	0
Reset	0	0	0	0	0	0	0	0
CPU Access	R	R	R	R	R	R	R	R

Note: R = Read Only.

Bit Position	Value	Description
7 ZDI_ACTIVE	0	The CPU is not functioning in ZDI mode.
	1	The CPU is currently functioning in ZDI mode.
6 RESET_PEND	0	No RESET event is currently in progress.
	1	A RESET event is in progress.
5 HALT	0	eZ80190 is not currently in HALT mode.
	1	eZ80190 is currently in HALT mode.
4 ADL	0	The CPU is operating in Z80 MEMORY mode (ADL bit flag = 0).
	1	The CPU is operating in ADL MEMORY mode (ADL bit flag = 1).
3 MADL	0	The CPU's Mixed-Memory mode (MADL) bit is reset to 0.
	1	The CPU's Mixed-Memory mode (MADL) bit is set to 1.
2 IEF1	0	The CPU's Interrupt Enable Flag 1 is reset to 0. Maskable interrupts are disabled.
	1	The CPU's Interrupt Enable Flag 1 is set to 1. Maskable interrupts are enabled.
[1:0]	00b	Reserved—must be 0.

ZDI Read Register Low, High, and Upper

The ZDI register Read Only address space offers Low, High, and Upper functions, which contain the value read by a read operation from the ZDI Read/Write Control register (ZDI_RW_CTL). This data is valid only while in ZDI BREAK mode and only if the instruction is read by a request from the ZDI Read/Write Control register. See [Table 93](#).

Table 93. ZDI Read Registers—Low, High and Upper
(ZDI_RD_L = 10h, ZDI_RD_H = 11h, ZDI_RD_U = 12h)

Bit	7	6	5	4	3	2	1	0
Reset	0	0	0	0	0	0	0	0
CPU Access	R	R	R	R	R	R	R	R

Note: R = Read Only.

Bit Position	Value	Description
[7:0] ZDI_RD_L, ZDI_RD_H, or ZDI_RD_U	00h– FFh	Values read from the memory location as requested by the ZDI Read Control register during a ZDI read operation. The 24-bit value is stored in {ZDI_RD_U, ZDI_RD_H, ZDI_RD_L}.

ZDI Read Memory Data Value Register

When a read is executed from the ZDI Read Memory Data Value register, indicated in [Table 94](#), the eZ80190 device fetches the data from the memory address currently pointed to by the program counter, PC, and the program counter is incremented. In Z80 mode, the memory address is {MBASE, PC[15:0]}. In ADL mode, the memory address is PC[23:0]. Refer to the *eZ80[®] CPU User Manual* for more information regarding Z80 and ADL MEMORY modes. The program counter, PC, increments after each data read. However, the ZDI register address does not increment automatically when this register is accessed. As a result, the ZDI master can read any number of data bytes from this address one time, then continue to any number of 8-bit data bytes.

Table 94. ZDI Read Memory Data Value Register
(ZDI_RD_MEM = 20h in ZDI Register Read Only Address Space)

Bit	7	6	5	4	3	2	1	0
Reset	0	0	0	0	0	0	0	0
CPU Access	R	R	R	R	R	R	R	R

Note: R = Read Only.

Bit Position	Value	Description
[7:0] ZDI_RD_MEM	00h– FFh	8-bit data read from the memory address indicated by the CPU's program counter. In Z80 mode, 8-bit data transferred out ← ({MBASE, SPS}). In ADL mode, 8-bit data transferred out ← (SPL).

eZ80[®] CPU Instruction Set

Tables 95 through 104 indicate the eZ80[®] CPU instructions available for use with the eZ80190 device. The instructions are grouped by class. More detailed information is available in the *eZ80[®] CPU User Manual*.

- ▶ **Note:** The Sleep (SLP) instruction is not supported on the eZ80190 device. Executing a SLP instruction causes the eZ80190 device to behave as if it has received a two-cycle NOP instruction.

Table 95. Arithmetic Instructions

Mnemonic	Instruction
ADC	Add with Carry
ADD	Add without Carry
CP	Compare with Accumulator
DAA	Decimal Adjust Accumulator
DEC	Decrement
INC	Increment
MLT	Multiply
NEG	Negate Accumulator
SBC	Subtract with Carry
SUB	Subtract without Carry

Table 96. Bit Manipulation Instructions

Mnemonic	Instruction
BIT	Bit Test
RES	Reset Bit
SET	Set Bit

Table 97. Block Transfer and Compare Instructions

Mnemonic	Instruction
CPD (CPDR)	Compare and Decrement (with Repeat)
CPI (CPIR)	Compare and Increment (with Repeat)
LDD (LDDR)	Load and Decrement (with Repeat)
LDI (LDIR)	Load and Increment (with Repeat)

Table 98. Exchange Instructions

Mnemonic	Instruction
EX	Exchange registers
EXX	Exchange CPU Multibyte register banks

Table 99. Input/Output Instructions

Mnemonic	Instruction
IN	Input from I/O
IN0	Input from I/O on Page 0
IND (INDR)	Input from I/O and Decrement (with Repeat)
IND2 (IND2R)	Input from I/O and Decrement (with Repeat)
INDM (INDMR)	Input from I/O and Decrement (with Repeat)
INI (INIR)	Input from I/O and Increment (with Repeat)
INI2 (INI2R)	Input from I/O and Increment (with Repeat)
INIM (INIMR)	Input from I/O and Increment (with Repeat)
OTDM (OTDMR)	Output to I/O and Decrement (with Repeat)
OTIM (OTIMR)	Output to I/O and Increment (with Repeat)
OUT	Output to I/O
OUT0	Output to I/O on Page 0
OUTD (OTDR)	Output to I/O and Decrement (with Repeat)
OUTD2 (OTD2R)	Output to I/O and Decrement (with Repeat)
OUTI (OTIR)	Output to I/O and Increment (with Repeat)
OUTI2 (OTI2R)	Output to I/O and Increment (with Repeat)
TSTIO	Test I/O

Table 100. Load Instructions

Mnemonic	Instruction
LD	Load
LEA	Load Effective Address
PEA	Push Effective Address
POP	Pop
PUSH	Push

Table 101. Logical Instructions

Mnemonic	Instruction
AND	Logical AND
CPL	Complement Accumulator
OR	Logical OR
TST	Test Accumulator
XOR	Logical Exclusive OR

Table 102. Processor Control Instructions

Mnemonic	Instruction
CCF	Complement Carry Flag
DI	Disable Interrupts
EI	Enable Interrupts
HALT	Halt
IM	Interrupt Mode
NOP	No Operation
RSMIX	Reset Mixed-Memory Mode Flag
SCF	Set Carry Flag
SLP	Sleep (not supported on the eZ80190 device)
STMIX	Set Mixed-Memory Mode Flag

Table 103. Program Control Instructions

Mnemonic	Instruction
CALL	Call Subroutine
CALL cc	Conditional Call Subroutine
DJNZ	Decrement and Jump if Nonzero
JP	Jump
JP cc	Conditional Jump
JR	Jump Relative
JR cc	Conditional Jump Relative
RET	Return
RET cc	Conditional Return
RETI	Return from Interrupt
RETN	Return from Nonmaskable interrupt
RST	Restart

**Table 104. Rotate and Shift Instructions**

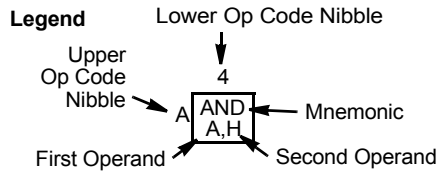
Mnemonic	Instruction
RL	Rotate Left
RLA	Rotate Left–Accumulator
RLC	Rotate Left Circular
RLCA	Rotate Left Circular–Accumulator
RLD	Rotate Left Decimal
RR	Rotate Right
RRA	Rotate Right–Accumulator
RRC	Rotate Right Circular
RRCA	Rotate Right Circular–Accumulator
RRD	Rotate Right Decimal
SLA	Shift Left
SRA	Shift Right Arithmetic
SRL	Shift Right Logical



Op-Code Map

Tables 105 through 111 indicate the hex values for each of the eZ80[®] instructions.

Table 105. Op Code Map—First Op Code

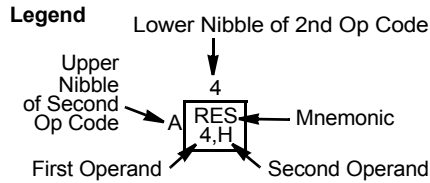


		Lower Nibble (Hex)															
		0	1	2	3	4	5	6	7	8	9	A	B	C	D	E	F
Upper Nibble (Hex)	0	NOP	LD BC, Mmn	LD (BC),A	INC BC	INC B	DEC B	LD B,n	RLCA	EX AF,AF'	ADD HL,BC	LD A,(BC)	DEC BC	INC C	DEC C	LD C,n	RRCA
	1	DJNZ d	LD DE, Mmn	LD (DE),A	INC DE	INC D	DEC D	LD D,n	RLA	JR d	ADD HL,DE	LD A,(DE)	DEC DE	INC E	DEC E	LD E,n	RRA
	2	JR NZ,d	LD HL, Mmn	LD (Mmn), HL	INC HL	INC H	DEC H	LD H,n	DAA	JR Z,d	ADD HL,HL	LD HL, (Mmn)	DEC HL	INC L	DEC L	LD L,n	CPL
	3	JR NC,d	LD SP, Mmn	LD (Mmn), A	INC SP	INC (HL)	DEC (HL)	LD (HL),n	SCF	JR CF,d	ADD HL,SP	LD A, (Mmn)	DEC SP	INC A	DEC A	LD A,n	CCF
	4	.SIS suffix	LD B,C	LD B,D	LD B,E	LD B,H	LD B,L	LD B,(HL)	LD B,A	LD C,B	.LIS suffix	LD C,D	LD C,E	LD C,H	LD C,L	LD C,(HL)	LD C,A
	5	LD D,B	LD D,C	.SIL suffix	LD D,E	LD D,H	LD D,L	LD D,(HL)	LD D,A	LD E,B	LD E,C	LD E,D	.LIL suffix	LD E,H	LD E,L	LD E,(HL)	LD E,A
	6	LD H,B	LD H,C	LD H,D	LD H,E	LD H,H	LD H,L	LD H,(HL)	LD H,A	LD L,B	LD L,C	LD L,D	LD L,E	LD L,H	LD L,L	LD L,(HL)	LD L,A
	7	LD (HL),B	LD (HL),C	LD (HL),D	LD (HL),E	LD (HL),H	LD (HL),L	HALT	LD (HL),A	LD A,B	LD A,C	LD A,D	LD A,E	LD A,H	LD A,L	LD A,(HL)	LD A,A
	8	ADD A,B	ADD A,C	ADD A,D	ADD A,E	ADD A,H	ADD A,L	ADD A,(HL)	ADD A,A	ADC A,B	ADC A,C	ADC A,D	ADC A,E	ADC A,H	ADC A,L	ADC A,(HL)	ADC A,A
	9	SUB A,B	SUB A,C	SUB A,D	SUB A,E	SUB A,H	SUB A,L	SUB A,(HL)	SUB A,A	SBC A,B	SBC A,C	SBC A,D	SBC A,E	SBC A,H	SBC A,L	SBC A,(HL)	SBC A,A
	A	AND A,B	AND A,C	AND A,D	AND A,E	AND A,H	AND A,L	AND A,(HL)	AND A,A	XOR A,B	XOR A,C	XOR A,D	XOR A,E	XOR A,H	XOR A,L	XOR A,(HL)	XOR A,A
	B	OR A,B	OR A,C	OR A,D	OR A,E	OR A,H	OR A,L	OR A,(HL)	OR A,A	CP A,B	CP A,C	CP A,D	CP A,E	CP A,H	CP A,L	CP A,(HL)	CP A,A
	C	RET NZ	POP BC	JP NZ, Mmn	JP Mmn	CALL NZ, Mmn	PUSH BC	ADD A,n	RST 00h	RET Z	RET	JP Z, Mmn	Table 106	CALL Z, Mmn	CALL Mmn	ADC A,n	RST 08h
	D	RET NC	POP DE	JP NC, Mmn	OUT (n),A	CALL NC, Mmn	PUSH DE	SUB A,n	RST 10h	RET CF	EXX	JP CF, Mmn	IN A,(n)	CALL CF, Mmn	Table 107	SBC A,n	RST 18h
	E	RET PO	POP HL	JP PO, Mmn	EX (SP),HL	CALL PO, Mmn	PUSH HL	AND A,n	RST 20h	RET PE	JP (HL)	JP PE, Mmn	EX DE,HL	CALL PE, Mmn	Table 108	XOR A,n	RST 28h
	F	RET P	POP AF	JP P, Mmn	DI	CALL P, Mmn	PUSH AF	OR A,n	RST 30h	RET M	LD SP,HL	JP M, Mmn	EI	CALL M, Mmn	Table 109	CP A,n	RST 38h

Notes: n=8-bit data; Mmn=16- or 24-bit addr or data; d=8-bit two's-complement displacement.



Table 106. Op Code Map—Second Op Code after 0CBh

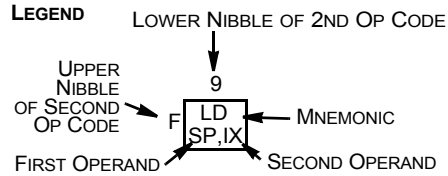


		Lower Nibble (Hex)															
		0	1	2	3	4	5	6	7	8	9	A	B	C	D	E	F
Upper Nibble (Hex)	0	RLC B	RLC C	RLC D	RLC E	RLC H	RLC L	RLC (HL)	RLC A	RRC B	RRC C	RRC D	RRC E	RRC H	RRC L	RRC (HL)	RRC A
	1	RL B	RL C	RL D	RL E	RL H	RL L	RL (HL)	RL A	RR B	RR C	RR D	RR E	RR H	RR L	RR (HL)	RR A
	2	SLA B	SLA C	SLA D	SLA E	SLA H	SLA L	SLA (HL)	SLA A	SRA B	SRA C	SRA D	SRA E	SRA H	SRA L	SRA (HL)	SRA A
	3									SRL B	SRL C	SRL D	SRL E	SRL H	SRL L	SRL (HL)	SRL A
	4	BIT 0,B	BIT 0,C	BIT 0,D	BIT 0,E	BIT 0,H	BIT 0,L	BIT 0,(HL)	BIT 0,A	BIT 1,B	BIT 1,C	BIT 1,D	BIT 1,E	BIT 1,H	BIT 1,L	BIT 1,(HL)	BIT 1,A
	5	BIT 2,B	BIT 2,C	BIT 2,D	BIT 2,E	BIT 2,H	BIT 2,L	BIT 2,(HL)	BIT 2,A	BIT 3,B	BIT 3,C	BIT 3,D	BIT 3,E	BIT 3,H	BIT 3,L	BIT 3,(HL)	BIT 3,A
	6	BIT 4,B	BIT 4,C	BIT 4,D	BIT 4,E	BIT 4,H	BIT 4,L	BIT 4,(HL)	BIT 4,A	BIT 5,B	BIT 5,C	BIT 5,D	BIT 5,E	BIT 5,H	BIT 5,L	BIT 5,(HL)	BIT 5,A
	7	BIT 6,B	BIT 6,C	BIT 6,D	BIT 6,E	BIT 6,H	BIT 6,L	BIT 6,(HL)	BIT 6,A	BIT 7,B	BIT 7,C	BIT 7,D	BIT 7,E	BIT 7,H	BIT 7,L	BIT 7,(HL)	BIT 7,A
	8	RES 0,B	RES 0,C	RES 0,D	RES 0,E	RES 0,H	RES 0,L	RES 0,(HL)	RES 0,A	RES 1,B	RES 1,C	RES 1,D	RES 1,E	RES 1,H	RES 1,L	RES 1,(HL)	RES 1,A
	9	RES 2,B	RES 2,C	RES 2,D	RES 2,E	RES 2,H	RES 2,L	RES 2,(HL)	RES 2,A	RES 3,B	RES 3,C	RES 3,D	RES 3,E	RES 3,H	RES 3,L	RES 3,(HL)	RES 3,A
	A	RES 4,B	RES 4,C	RES 4,D	RES 4,E	RES 4,H	RES 4,L	RES 4,(HL)	RES 4,A	RES 5,B	RES 5,C	RES 5,D	RES 5,E	RES 5,H	RES 5,L	RES 5,(HL)	RES 5,A
	B	RES 6,B	RES 6,C	RES 6,D	RES 6,E	RES 6,H	RES 6,L	RES 6,(HL)	RES 6,A	RES 7,B	RES 7,C	RES 7,D	RES 7,E	RES 7,H	RES 7,L	RES 7,(HL)	RES 7,A
	C	SET 0,B	SET 0,C	SET 0,D	SET 0,E	SET 0,H	SET 0,L	SET 0,(HL)	SET 0,A	SET 1,B	SET 1,C	SET 1,D	SET 1,E	SET 1,H	SET 1,L	SET 1,(HL)	SET 1,A
	D	SET 2,B	SET 2,C	SET 2,D	SET 2,E	SET 2,H	SET 2,L	SET 2,(HL)	SET 2,A	SET 3,B	SET 3,C	SET 3,D	SET 3,E	SET 3,H	SET 3,L	SET 3,(HL)	SET 3,A
	E	SET 4,B	SET 4,C	SET 4,D	SET 4,E	SET 4,H	SET 4,L	SET 4,(HL)	SET 4,A	SET 5,B	SET 5,C	SET 5,D	SET 5,E	SET 5,H	SET 5,L	SET 5,(HL)	SET 5,A
	F	SET 6,B	SET 6,C	SET 6,D	SET 6,E	SET 6,H	SET 6,L	SET 6,(HL)	SET 6,A	SET 7,B	SET 7,C	SET 7,D	SET 7,E	SET 7,H	SET 7,L	SET 7,(HL)	SET 7,A

Notes: n=8-bit data; Mmn=16- or 24-bit addr or data; d=8-bit two's-complement displacement.



Table 107. Op Code Map—Second Op Code After 0DDh

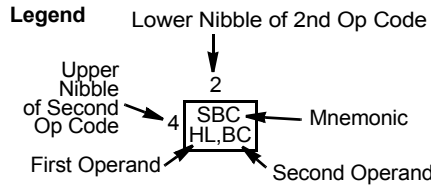


		Lower Nibble (Hex)															
		0	1	2	3	4	5	6	7	8	9	A	B	C	D	E	F
Upper Nibble (Hex)	0								LD BC, (IX+d)		ADD IX,BC						LD (IX+d), BC
	1								LD DE, (IX+d)		ADD IX,DE						LD (IX+d), DE
	2		LD IX, Mmn	LD (Mmn), IX	INC IX	INC IXH	DEC IXH	LD IXH,n	LD HL, (IX+d)		ADD IX,IX	LD IX, (Mmn)	DEC IX	INC IXL	DEC IXL	LD IXL,n	LD (IX+d), HL
	3		LD IY, (IX+d)			INC (IX+d)	DEC (IX+d)	LD (IX+d),n	LD IX, (IX+d)		ADD IX,SP					LD (IX+d), IY	LD (IX+d), IX
	4					LD B,IXH	LD B,IXL	LD B, (IX+d)						LD C,IXH	LD C,IXL	LD C, (IX+d)	
	5					LD D,IXH	LD D,IXL	LD D, (IX+d)						LD E,IXH	LD E,IXL	LD E, (IX+d)	
	6	LD IXH,B	LD IXH,C	LD IXH,D	LD IXH,E	LD IXH,IXH	LD IXH,IXL	LD H, (IX+d)	LD IXH,A	LD IXL,B	LD IXL,C	LD IXL,D	LD IXL,E	LD IXL,IXH	LD IXL,IXL	LD L, (IX+d)	LD IXL,A
	7	LD (IX+d), B	LD (IX+d), C	LD (IX+d), D	LD (IX+d), E	LD (IX+d),H	LD (IX+d), L		LD (IX+d), A					LD A,IXH	LD A,IXL	LD A, (IX+d)	
	8					ADD A,IXH	ADD A,IXL	ADD A, (IX+d)						ADC A,IXH	ADC A,IXL	ADC A, (IX+d)	
	9					SUB A,IXH	SUB A,IXL	SUB A, (IX+d)						SBC A,IXH	SBC A,IXL	SBC A, (IX+d)	
	A					AND A,IXH	AND A,IXL	AND A, (IX+d)						XOR A,IXH	XOR A,IXL	XOR A, (IX+d)	
	B					OR A,IXH	OR A,IXL	OR A, (IX+d)						CP A,IXH	CP A,IXL	CP A, (IX+d)	
	C													Table 110			
	D																
	E		POP IX		EX (SP),IX		PUSH IX					JP (IX)					
	F											LD SP,IX					

Notes: n=8-bit data; Mmn=16- or 24-bit addr or data; d=8-bit two's-complement displacement.



Table 108. Op Code Map—Second Op Code After 0EDh



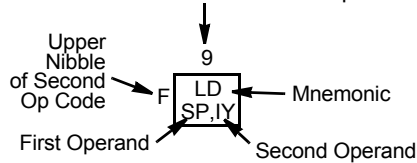
		Lower Nibble (Hex)																
		0	1	2	3	4	5	6	7	8	9	A	B	C	D	E	F	
Upper Nibble (Hex)	0	IN0 B,(n)	OUT0 (n),B	LEA BC, IX+d	LEA BC, IY+d	TST A,B			LD BC, (HL)	IN0 C,(n)	OUT0 (n),C			TST A,C			LD (HL), BC	
	1	IN0 D,(n)	OUT0 (n),D	LEA DE, IX+d	LEA DE, IY+d	TST A,D			LD DE, (HL)	IN0 E,(n)	OUT0 (n),E			TST A,E			LD(HL), DE	
	2	IN0 H,(n)	OUT0 (n),H	LEA HL, IX+d	LEA HL, IY+d	TST A,H			LD HL, (HL)	IN0 L,(n)	OUT0 (n),L			TST A,L			LD (HL), HL	
	3		LD IY, (HL)	LEA IX, IX+d	LEA IY, IY+d	TST A,(HL)			LD IX, (HL)	IN0 A,(n)	OUT0 (n),A			TST A,A		LD (HL), IY	LD (HL), IX	
	4	IN B,(BC)	OUT (BC),B	SBC HL,BC	LD (Mmn), BC	NEG	RETN	IM 0	LD I,A	IN C,(C)	OUT (C),C	ADC HL,BC	LD BC, (Mmn)	MLT BC	RETI		LD R,A	
	5	IN D,(BC)	OUT (BC),D	SBC HL,DE	LD (Mmn), DE	LEA IX, IY+d	LEA IY, IX+d	IM 1	LD A,I	IN E,(C)	OUT (C),E	ADC HL,DE	LD DE, (Mmn)	MLT DE		IM 2	LD A,R	
	6	IBN H,(C)	OUT (BC),H	SBC HL,HL	LD (Mmn), HL	TST A,n	PEA IX+d	PEA IY+d	RRD	IN L,(C)	OUT (C),L	ADC HL,HL	LD HL, (Mmn)	MLT HL	LD MB,A	LD A,MB	RLD	
	7			SBC HL,SP	LD (Mmn), SP	TSTIO n		SLP		IN A,(C)	OUT (C),A	ADC HL,SP	LD SP, (Mmn)	MLT SP	STMIX	RSMIX		
	8			INIM	OTIM	INI2							INDM	OTDM	IND2			
	9			INIMR	OTIMR	INI2R							INDMR	OTDMR	IND2R			
	A	LDI	CPI	INI	OUTI	OUTI2				LDD	CPD	IND	OUTD	OUTD2				
	B	LDIR	CPIR	INIR	OTIR	OTI2R				LDDR	CPDR	INDR	OTDR	OTD2R				
	C																	
	D																	
	E																	
	F																	

Notes: n=8-bit data; Mmn=16- or 24-bit addr or data; d=8-bit two's-complement displacement.



Table 109. Op Code Map—Second Op Code After 0FDh

Legend Lower Nibble of 2nd Op Code

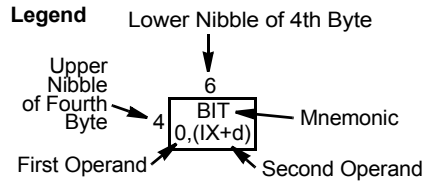


		Lower Nibble (Hex)																
		0	1	2	3	4	5	6	7	8	9	A	B	C	D	E	F	
Upper Nibble (Hex)	0								LD BC, (IY+d)		ADD IY,BC						LD (IY+d),BC	
	1								LD DE, (IY+d)		ADD IY,DE						LD (IY+d),DE	
	2		LD IY,Mmn	LD (Mmn),IY	INC IY	INC IYH	DEC IYH	LD IYH,n	LD HL, (IY+d)		ADD IY,IY	LD IY, (Mmn)	DEC IY	INC IYL	DEC IYL	LD IYL,n	LD (IY+d),HL	
	3		LD IX, (IY+d)			INC (IY+d)	DEC (IY+d)	LD (IY+d),n	LD IY, (IY+d)		ADD IY,SP					LD (IY+d),IX	LD (IY+d),IY	
	4					LD B,IYH	LD B,IYL	LD B, (IY+d)							LD C,IYH	LD C,IYL	LD C, (IY+d)	
	5					LD D,IYH	LD D,IYL	LD D, (IY+d)							LD E,IYH	LD E,IYL	LD E, (IY+d)	
	6	LD IYH,B	LD IYH,C	LD IYH,D	LD IYH,E	LD IYH,IYH	LD IYH,IYL	LD H, (IY+d)	LD IYH,A	LD IYL,B	LD IYL,C	LD IYL,D	LD IYL,E	LD IYL,IYH	LD IYL,IYL	LD L, (IY+d)	LD IYL,A	
	7	LD (IY+d),B	LD (IY+d),C	LD (IY+d),D	LD (IY+d),E	LD (IY+d),H	LD (IY+d),L		LD (IY+d),A						LD A,IYH	LD A,IYL	LD A, (IY+d)	
	8					ADD A,IYH	ADD A,IYL	ADD A, (IY+d)							ADC A,IYH	ADC A,IYL	ADC A, (IY+d)	
	9					SUB A,IYH	SUB A,IYL	SUB A, (IY+d)							SBC A,IYH	SBC A,IYL	SBC A, (IY+d)	
	A					AND A,IYH	AND A,IYL	AND A, (IY+d)							XOR A,IYH	XOR A,IYL	XOR A, (IY+d)	
	B					OR A,IYH	OR A,IYL	OR A, (IY+d)							CP A,IYH	CP A,IYL	CP A, (IY+d)	
	C																	
	D																	
	E		POP IY		EX (SP),IY		PUSH IY					JP (IY)						
	F											LD SP,IY						

Notes: n=8-bit data; Mmn=16- or 24-bit addr or data; d=8-bit two's-complement displacement.



Table 110. Op Code Map—Fourth Byte After 0DDh, 0CBh, and dd

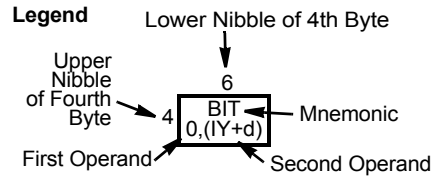


		Lower Nibble (Hex)															
		0	1	2	3	4	5	6	7	8	9	A	B	C	D	E	F
Upper Nibble (Hex)	0							RLC (IX+d)								RRC (IX+d)	
	1							RL (IX+d)								RR (IX+d)	
	2							SLA (IX+d)								SRA (IX+d)	
	3															SRL (IX+d)	
	4							BIT 0, (IX+d)								BIT 1, (IX+d)	
	5							BIT 2, (IX+d)								BIT 3, (IX+d)	
	6							BIT 4, (IX+d)								BIT 5, (IX+d)	
	7							BIT 6, (IX+d)								BIT 7, (IX+d)	
	8							RES 0, (IX+d)								RES 1, (IX+d)	
	9							RES 2, (IX+d)								RES 3, (IX+d)	
	A							RES 4, (IX+d)								RES 5, (IX+d)	
	B							RES 6, (IX+d)								RES 7, (IX+d)	
	C							SET 0, (IX+d)								SET 1, (IX+d)	
	D							SET 2, (IX+d)								SET 3, (IX+d)	
	E							SET 4, (IX+d)								SET 5, (IX+d)	
	F							SET 6, (IX+d)								SET 7, (IX+d)	

Notes: d=8-bit two's-complement displacement.



Table 111. Op Code Map—Fourth Byte After 0FDh, 0CBh, and dd



		Lower Nibble (Hex)															
		0	1	2	3	4	5	6	7	8	9	A	B	C	D	E	F
Upper Nibble (Hex)	0							RLC (IY+d)								RRC (IY+d)	
	1							RL (IY+d)								RR (IY+d)	
	2							SLA (IY+d)								SRA (IY+d)	
	3															SRL (IY+d)	
	4							BIT 0, (IY+d)								BIT 1, (IY+d)	
	5							BIT 2, (IY+d)								BIT 3, (IY+d)	
	6							BIT 4, (IY+d)								BIT 5, (IY+d)	
	7							BIT 6, (IY+d)								BIT 7, (IY+d)	
	8							RES 0, (IY+d)								RES 1, (IY+d)	
	9							RES 2, (IY+d)								RES 3, (IY+d)	
	A							RES 4, (IY+d)								RES 5, (IY+d)	
	B							RES 6, (IY+d)								RES 7, (IY+d)	
	C							SET 0, (IY+d)								SET 1, (IY+d)	
	D							SET 2, (IY+d)								SET 3, (IY+d)	
	E							SET 4, (IY+d)								SET 5, (IY+d)	
	F							SET 6, (IY+d)								SET 7, (IY+d)	

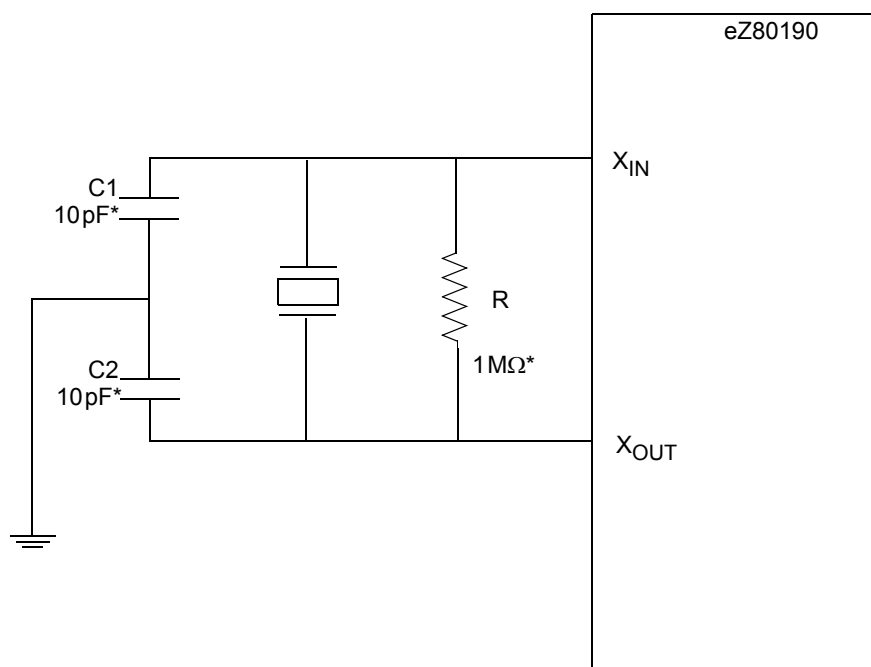
Notes: d=8-bit two's-complement displacement.

Crystal Oscillator

The eZ80190 device features an on-chip crystal oscillator that supplies clocks to the internal eZ80[®] CPU core, to peripherals, and to the external pin. The clock circuitry uses the three dedicated pins X_{IN} , X_{OUT} , and PHI.

The external clock/oscillator (X_{IN}) input features two clock-generation options. X_{IN} may be used to interface the internal oscillator to an external oscillator (see [Figure 35](#)). Typical circuit parameters are $C1 = C2 = 10\text{pF}$ and $R = 1\text{M}\Omega$ using a parallel resonant crystal.

X_{IN} can also accept a CMOS-level clock input. The oscillator output (X_{OUT}) connects the internal crystal oscillator to an external crystal oscillator. If an external clock is used, X_{OUT} should be left unconnected. The PHI pin, which drives the high-speed system clock, may be used to synchronize other peripherals to the eZ80190 device system clock.



Note: *These values are typical values only. Actual values must be tuned for the crystal and the frequency of operation.

Figure 35. Crystal Oscillator

Electrical Characteristics

Absolute Maximum Ratings

Stresses greater than those listed in [Table 112](#) may cause permanent damage to the device. These ratings are stress ratings only. Operation of the device at any condition outside those indicated in the operational sections of these specifications is not implied. Exposure to absolute maximum rating conditions for extended periods may affect device reliability. For improved reliability, unused inputs should be tied to one of the supply voltages (V_{DD} or V_{SS}).

Table 112. Absolute Maximum Ratings

Parameter	Min	Max	Units	Notes
Ambient temperature under bias	-40	+105	C	1
Storage temperature	-65	+150	C	
Voltage on any pin with respect to V_{SS}	-0.3	+6.0	V	2
Voltage on V_{DD} pin with respect to V_{SS}	-0.3	+6.0	V	
Total power dissipation		520	mW	
Maximum current out of V_{SS}		145	mA	
Maximum current into V_{DD}		145	mA	
Maximum output current from active output pin	-8	+8	mA	

Notes:

1. Operating temperature is specified in [Table 113](#).
2. This voltage applies to all pins except where otherwise noted.

DC Characteristics

Table 113 lists the Direct Current characteristics of the eZ80190 device.

Table 113. DC Characteristics

Symbol	Parameter	Standard Temperature Range = 0°C to 70°C		Extended Temperature Range = -40°C to 105°C		Units	Conditions
		Min	Max	Min	Max		
V _{DD}	Supply Voltage	3.0	3.6	3.0	3.6	V	
V _{IL}	Low Level Input Voltage	-0.3	0.8V	-0.3	0.8V	V	
V _{IH}	High Level Input Voltage	0.7xV _{DD}	5.5	0.7xV _{DD}	5.5	V	
V _{OL}	Low Level Output Voltage		0.4		0.4	V	V _{DD} = 3.0V; I _{OL} = 1mA
V _{OH}	High Level Output Voltage	2.4		2.4		V	V _{DD} = 3.0V; I _{OH} = -1mA
I _{IL}	Input Leakage Current	-10	+10	-10	+10	μA	V _{DD} = 3.6V; V _{IN} = V _{DD} or V _{SS} *
I _{TL}	Tri-State Leakage Current	-10	+10	-10	+10	μA	V _{DD} = 3.6V

Note: *This condition excludes the ZDA and ZCL pins, when driven Low, due to the presence of on-chip pull-ups.

In the following pages, Figure 36 illustrates the typical current consumption of the eZ80190 device versus the number of WAIT states while operating 25°C, 3.3V, and with either a 1-MHz or 5-MHz system clock. Figure 37 illustrates the typical current consumption of the eZ80190 device versus the number of WAIT states while operating 25°C, 3.3V, and with either a 20-MHz or 50-MHz system clock. Figure 38 illustrates the typical current consumption of the eZ80190 device versus the system clock frequency while operating 25°C, 3.3V, and using 0, 2, or 7 WAIT states. Figure 39 illustrates the typical current consumption of the eZ80190 device versus the system clock frequency while operating at 3.3V, 7 WAIT states, and with either a 5-MHz, 20-MHz, or 50-MHz system clock.

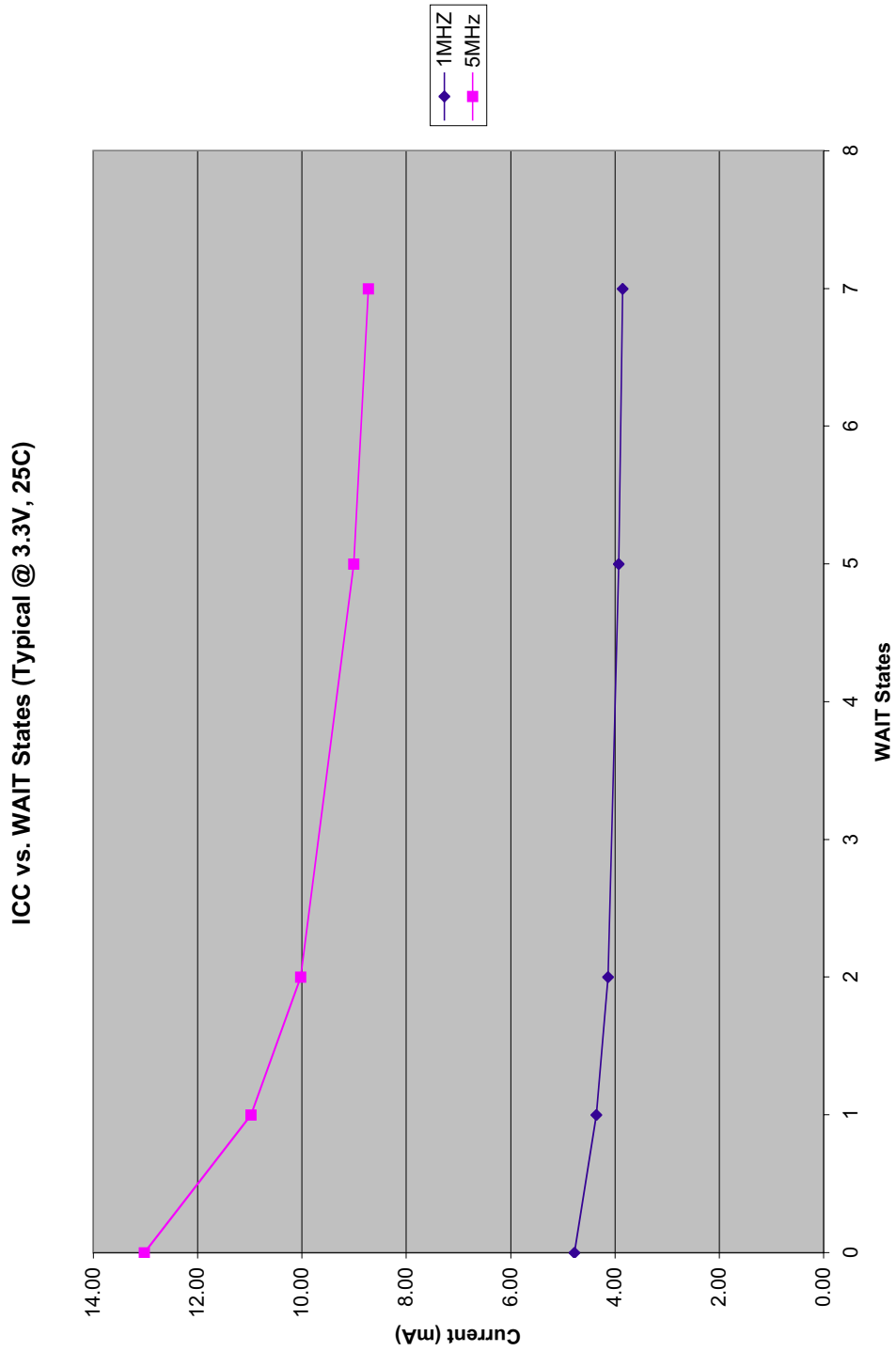


Figure 36. I_{CC} vs. WAIT1

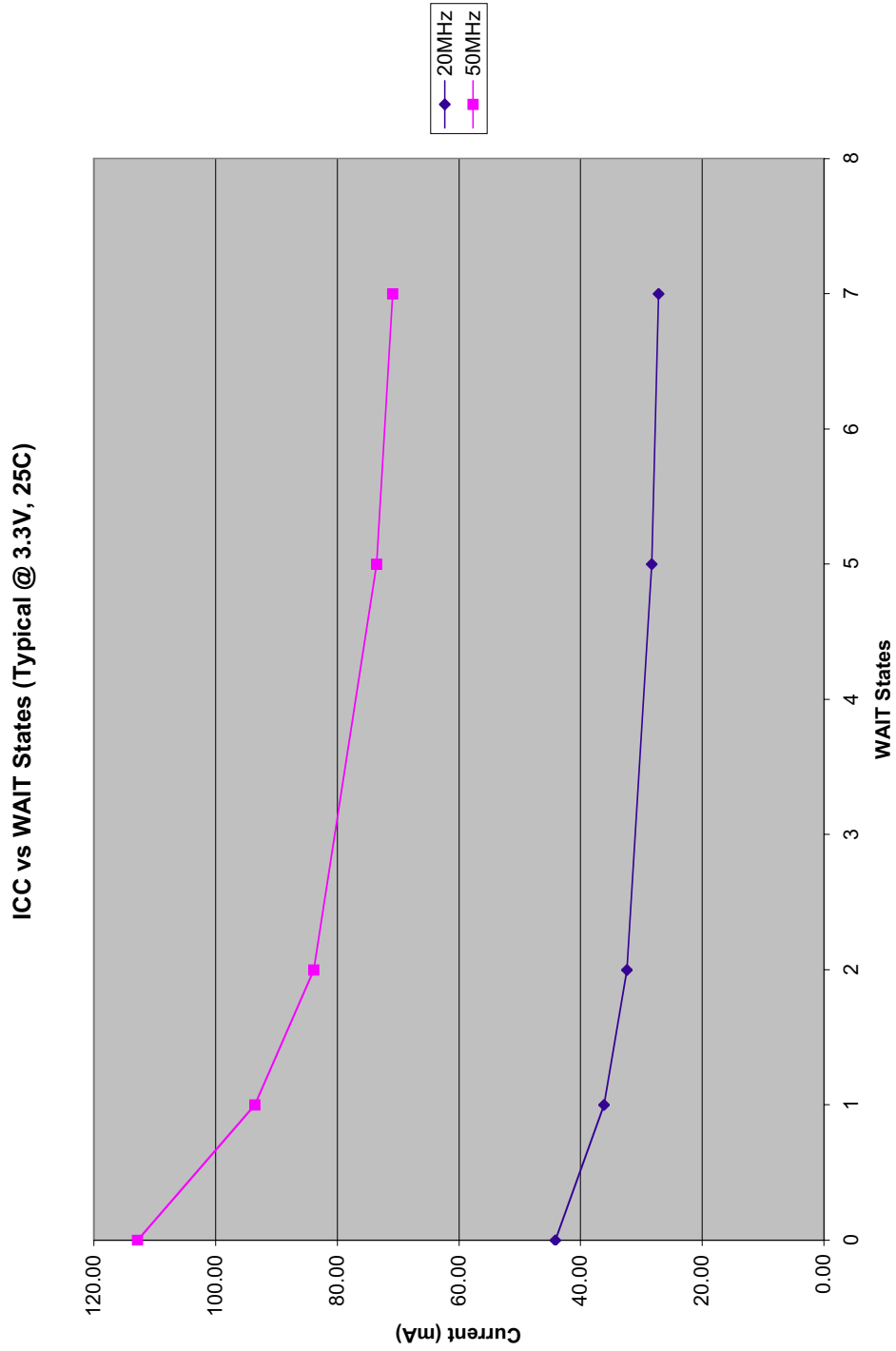


Figure 37. I_{CC} vs. WAIT2

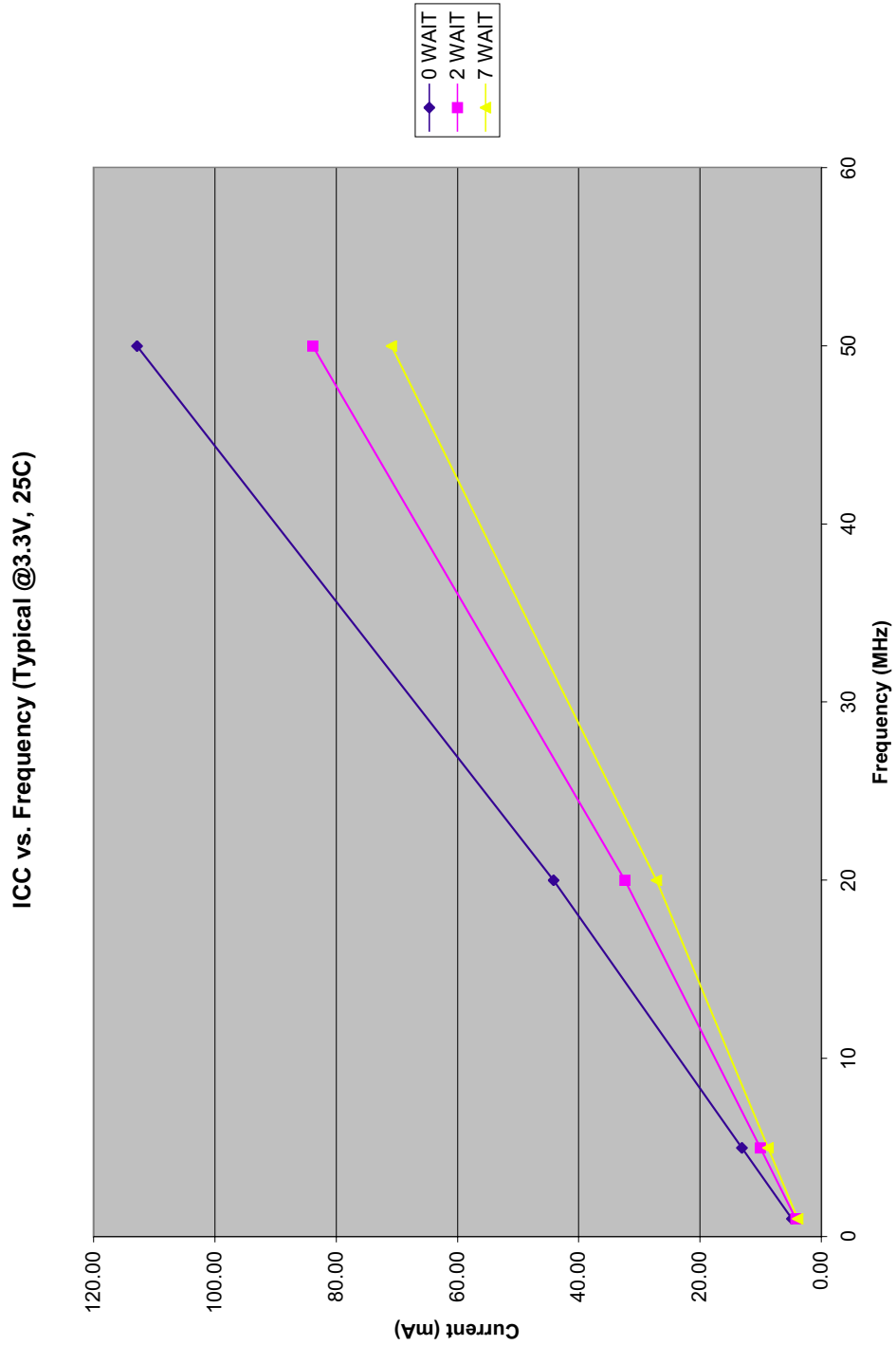


Figure 38. I_{CC} vs. Frequency

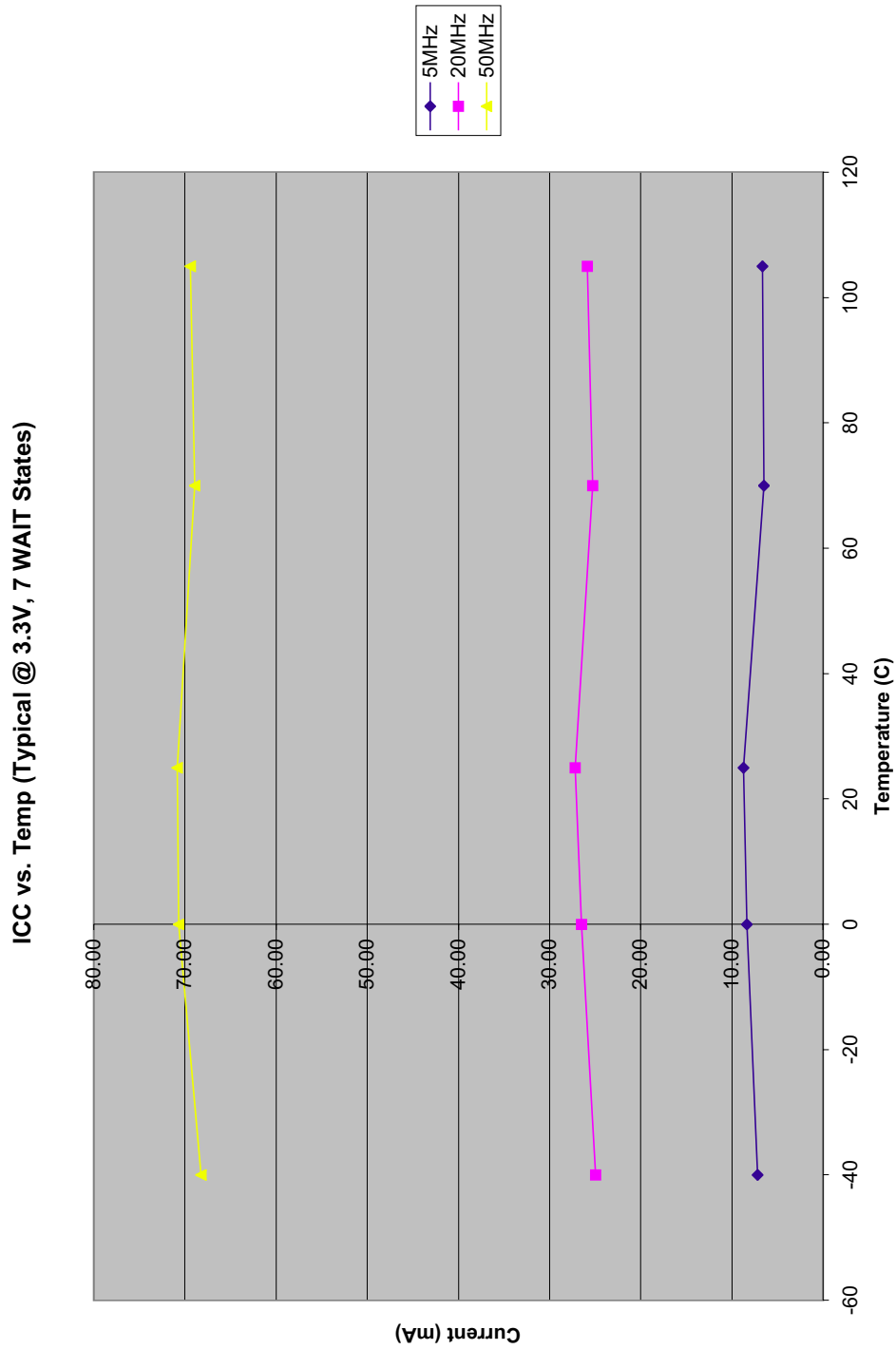


Figure 39. I_{CC} vs. Temperature

AC Characteristics

The section provides information on the Alternating Current (AC) characteristics and timing of the eZ80190 device. All AC timing information assumes a standard load of 50 pF on all outputs.

Table 114. AC Characteristics

Symbol	Parameter	$T_A = 0^{\circ}\text{C to } 70^{\circ}\text{C}$		$T_A = -40^{\circ}\text{C to } 105^{\circ}\text{C}$		Units	Conditions
		Min	Max	Min	Max		
T_{XIN}	System Clock Cycle Time	20		20		ns	$V_{DD} = 3.0\text{--}3.6\text{V}$
T_{XINH}	System Clock High Time	8		8		ns	$V_{DD} = 3.0\text{--}3.6\text{V};$ $T_{CLK} = 20\text{ns}$
T_{XINL}	System Clock Low Time	8		8		ns	$V_{DD} = 3.0\text{--}3.6\text{V};$ $T_{CLK} = 20\text{ns}$
T_{XINR}	System Clock Rise Time		2		2	ns	$V_{DD} = 3.0\text{--}3.6\text{V};$ $T_{CLK} = 20\text{ns}$
T_{XINF}	System Clock Fall Time		2		2	ns	$V_{DD} = 3.0\text{--}3.6\text{V};$ $T_{CLK} = 20\text{ns}$

External Memory Read Timing

Figure 40 and Table 115 diagram the timing for external READs.

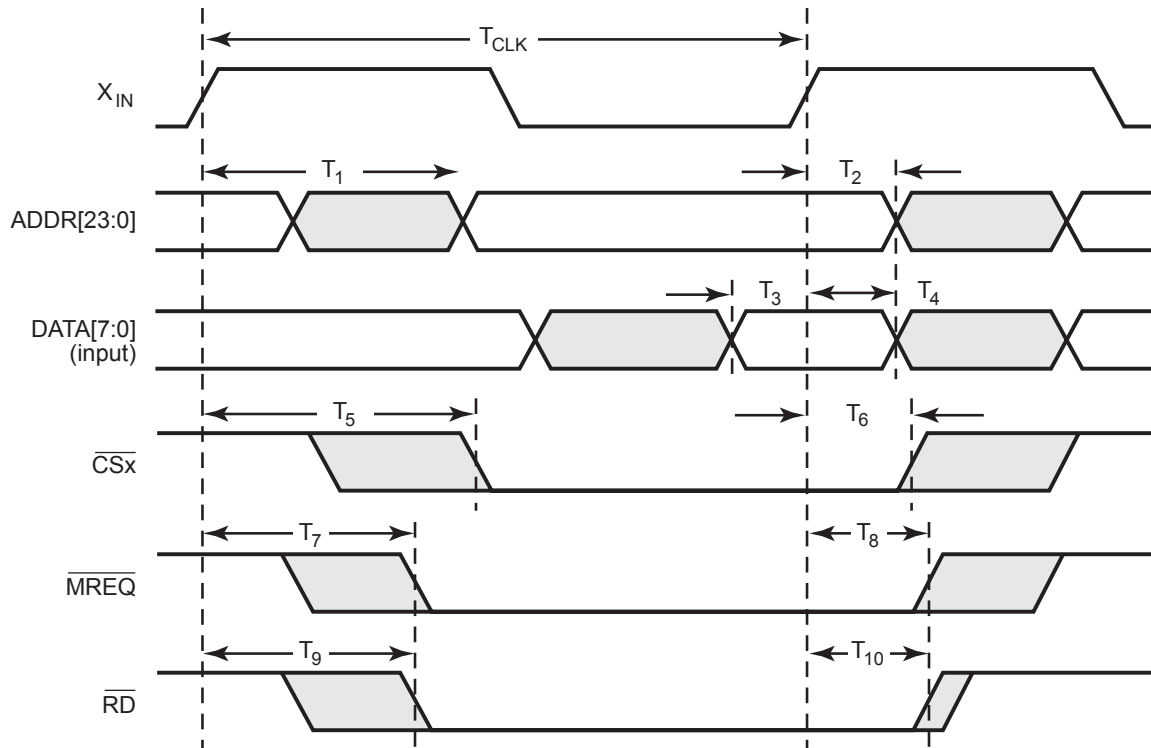


Figure 40. External Memory Read Timing

Table 115. External Read Timing

Parameter	Description	Delay (ns)	
		Min.	Max.
T ₁	Clock Rise to ADDR Valid Delay	—	10.2
T ₂	Clock Rise to ADDR Hold Time	1.6	—
T ₃	Clock Rise to Output DATA Valid Delay	0.0	—
T ₄	DATA Hold Time from Clock Rise	5.0	—
T ₅	Clock Rise to \overline{CSx} Assertion Delay	3.0	10.5
T ₆	Clock Rise to \overline{CSx} Deassertion Delay	3.0	9.7
T ₇	Clock Rise to \overline{MREQ} Assertion Delay	2.8	9.6
T ₈	Clock Rise to \overline{MREQ} Deassertion Delay	1.6	6.9
T ₉	Clock Rise to \overline{RD} Assertion Delay	3.0	9.8
T ₁₀	Clock Rise to \overline{RD} Deassertion Delay	2.5	7.1

External Memory Write Timing

Figure 41 and Table 116 diagram the timing for external writes.

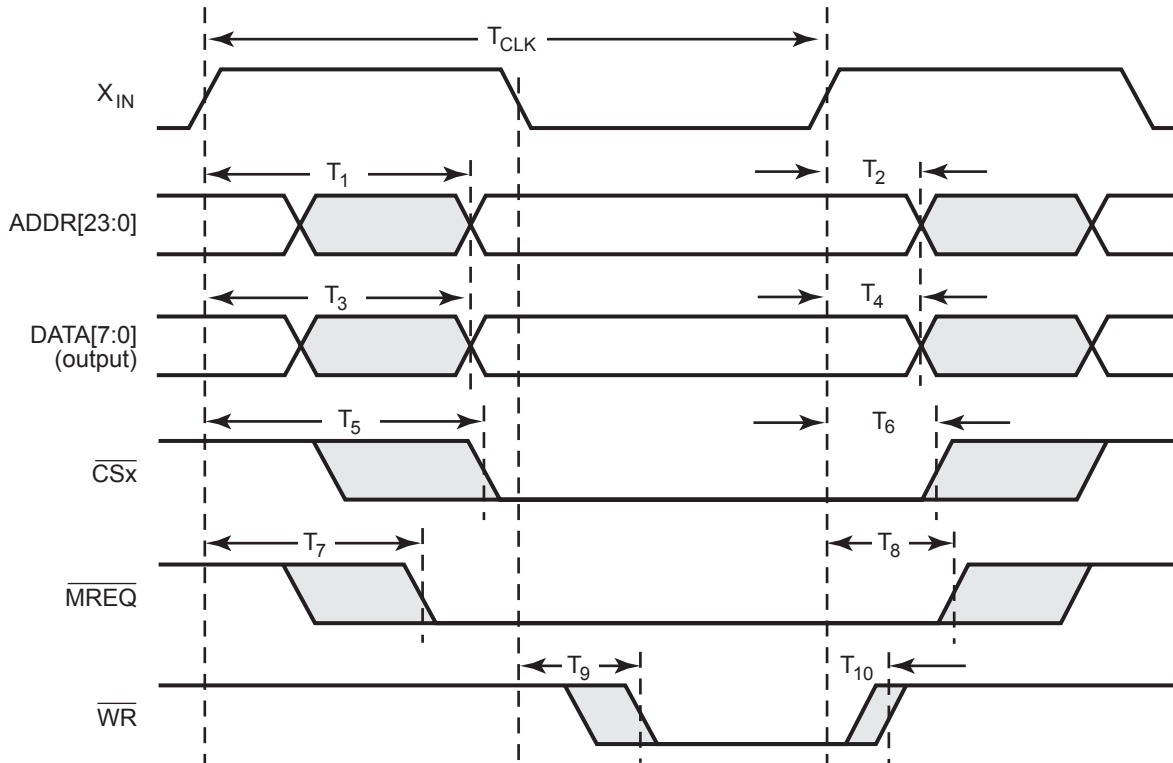


Figure 41. External Memory Write Timing

Table 116. External Write Timing

Parameter	Description	Delay (ns)	
		Min.	Max.
T ₁	Clock Rise to ADDR Valid Delay	—	10.2
T ₂	Clock Rise to ADDR Hold Time	1.6	—
T ₃	Clock Rise to Output DATA Valid Delay	—	10.2
T ₄	DATA Hold Time from Clock Rise	5.0	—
T ₅	Clock Rise to CS _x Assertion Delay	3.0	10.5
T ₆	Clock Rise to CS _x Deassertion Delay	3.0	9.7

Note: *At the conclusion of a write cycle, deassertion of WR always occurs before any change to ADDR, DATA, CS_x, or MREQ.

Table 116. External Write Timing (Continued)

Parameter	Description	Delay (ns)	
		Min.	Max.
T ₇	Clock Rise to $\overline{\text{MREQ}}$ Assertion Delay	2.8	9.6
T ₈	Clock Rise to $\overline{\text{MREQ}}$ Deassertion Delay	1.6	6.9
T ₉	Clock Fall to $\overline{\text{WR}}$ Assertion Delay	1.5	3.9
T ₁₀	Clock Rise to $\overline{\text{WR}}$ Deassertion Delay*	1.4	4.1

Note: *At the conclusion of a write cycle, deassertion of $\overline{\text{WR}}$ always occurs before any change to ADDR, DATA, CSx, or MREQ.

External I/O Read Timing

Figure 42 and Table 117 diagram the timing for external I/O reads.

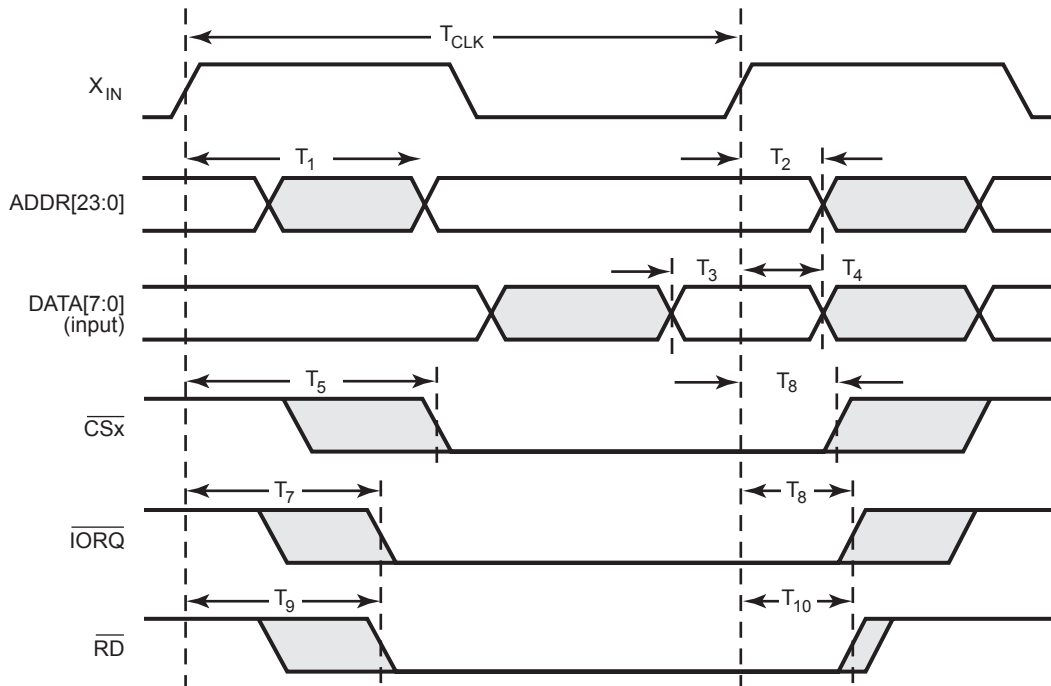


Figure 42. External I/O Read Timing

Table 117. External I/O Read Timing

Parameter	Description	Delay (ns)	
		Min	Max
T ₁	Clock Rise to ADDR Valid Delay	—	10.2
T ₂	Clock Rise to ADDR Hold Time	1.6	—
T ₃	Input DATA Valid to Clock Rise Setup Time	0.0	—
T ₄	DATA Hold Time from Clock Rise	5.0	—
T ₅	Clock Rise to $\overline{\text{CSx}}$ Assertion Delay	3.0	10.5
T ₆	Clock Rise to $\overline{\text{CSx}}$ Deassertion Delay	3.0	9.7
T ₇	Clock Rise to $\overline{\text{IORQ}}$ Assertion Delay	2.1	10.3
T ₈	Clock Rise to $\overline{\text{IORQ}}$ Deassertion Delay	4.1	7.9
T ₉	Clock Rise to $\overline{\text{RD}}$ Assertion Delay	3.0	9.8
T ₁₀	Clock Rise to $\overline{\text{RD}}$ Deassertion Delay	2.5	7.1

External I/O Write Timing

Figure 43 and Table 118 diagram the timing for external I/O writes.

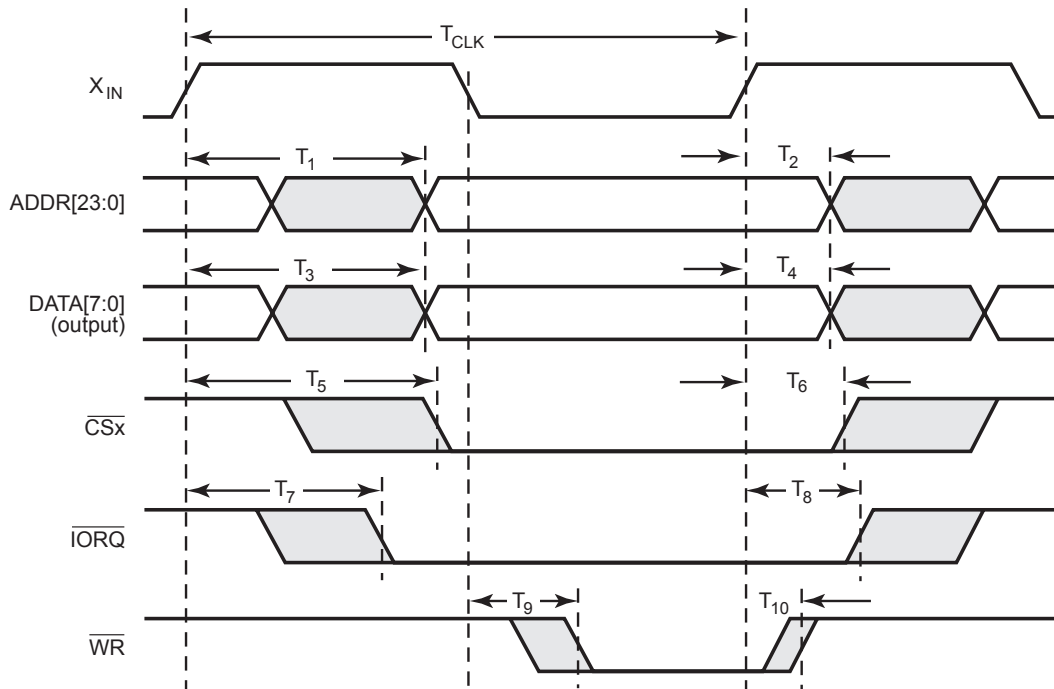


Figure 43. External I/O Write Timing

Table 118. External I/O Write Timing

Parameter	Description	Delay (ns)	
		Min	Max
T ₁	Clock Rise to ADDR Valid Delay	—	10.2
T ₂	Clock Rise to ADDR Hold Time	1.6	—
T ₃	Clock Rise to Output DATA Valid Delay	—	10.2
T ₄	DATA Hold Time from Clock Rise	5.0	—
T ₅	Clock Rise to \overline{CSx} Assertion Delay	3.0	10.5
T ₆	Clock Rise to \overline{CSx} Deassertion Delay	3.0	9.7
T ₇	Clock Rise to \overline{IORQ} Assertion Delay	2.1	10.3
T ₈	Clock Rise to \overline{IORQ} Deassertion Delay	4.1	7.9
T ₉	Clock Fall to \overline{WR} Assertion Delay	1.5	3.9
T ₁₀	Clock Rise to \overline{WR} Deassertion Delay*	1.4	4.1

Note: *At the conclusion of a write cycle, deassertion of \overline{WR} always occurs before any change to ADDR, DATA, CSx, or IORQ.

Wait State Timing for Read Operations

Figure 44 illustrates the extension of the memory access signals using a single WAIT state for a read operation. The $\overline{\text{WAIT}}$ signal is not delivered to a pin on the eZ80190 device. It is illustrated here for informational purposes only.

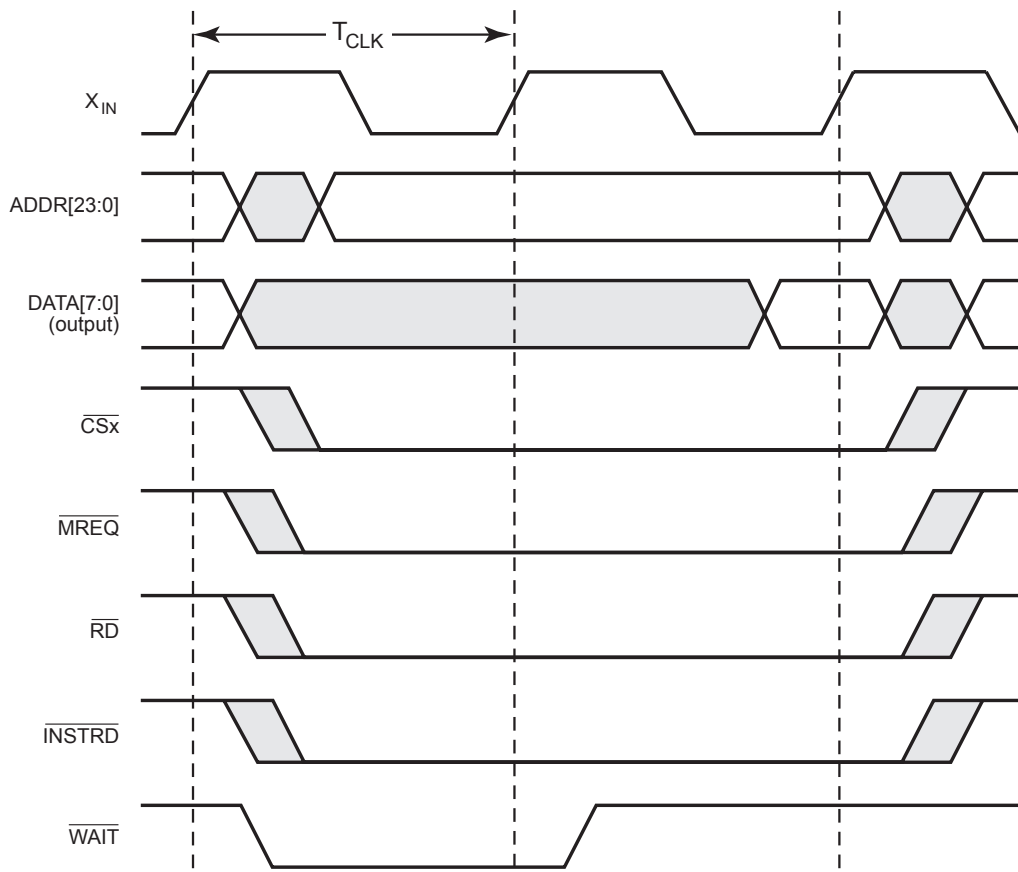


Figure 44. Wait State Timing for Read Operations

Wait State Timing for Write Operations

Figure 45 illustrates the extension of the memory access signals using a single WAIT state for a write operation. The $\overline{\text{WAIT}}$ signal is not delivered to a pin on the eZ80190 device and is illustrated here for informational purposes only.

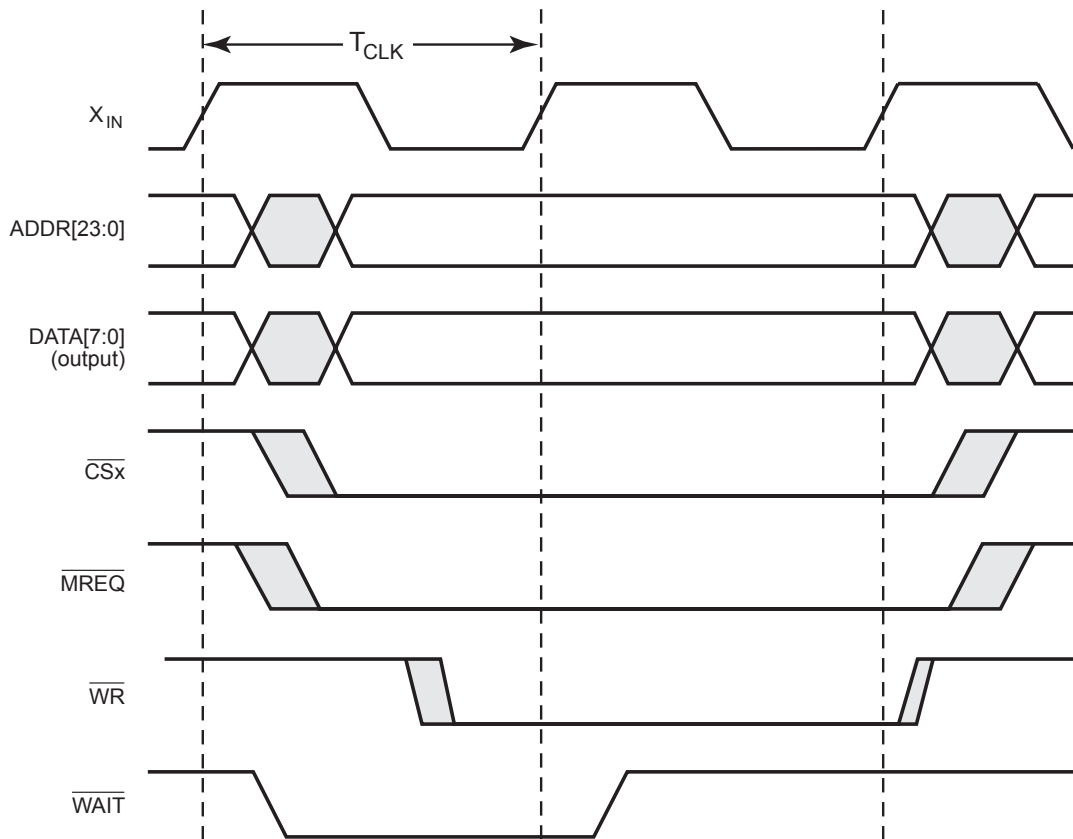


Figure 45. Wait State Timing for Write Operations

General Purpose I/O Port Input Sample Timing

Figure 46 illustrates timing of the GPIO input sampling. The input value on a GPIO port pin is sampled on the rising edge of the system clock. The port value is then available to the CPU on the second rising clock edge following the change of the port value.

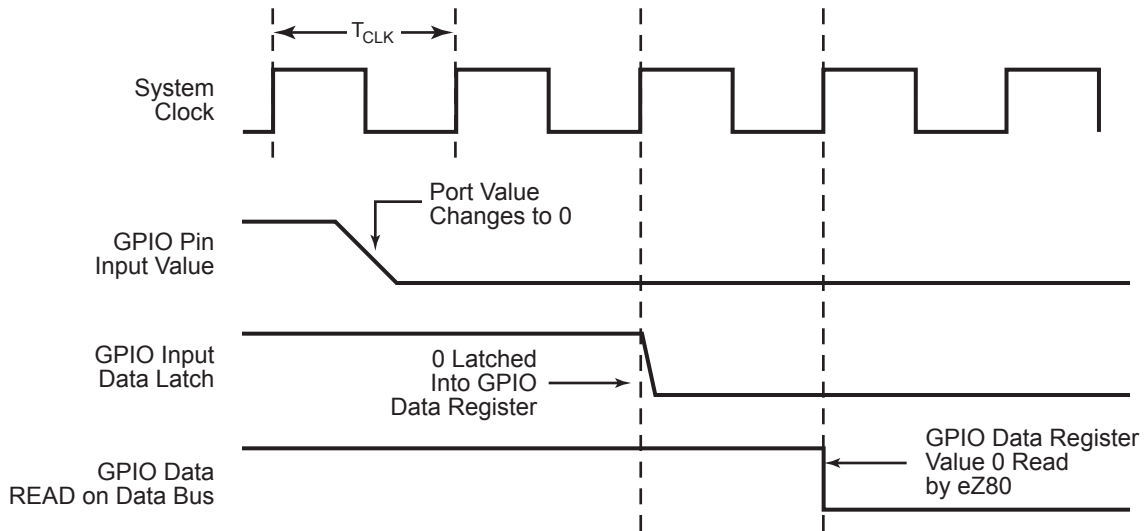


Figure 46. Port Input Sample Timing

General Purpose I/O Port Output Timing

Figure 47 and Table 119 indicate the timing of the GPIO outputs.

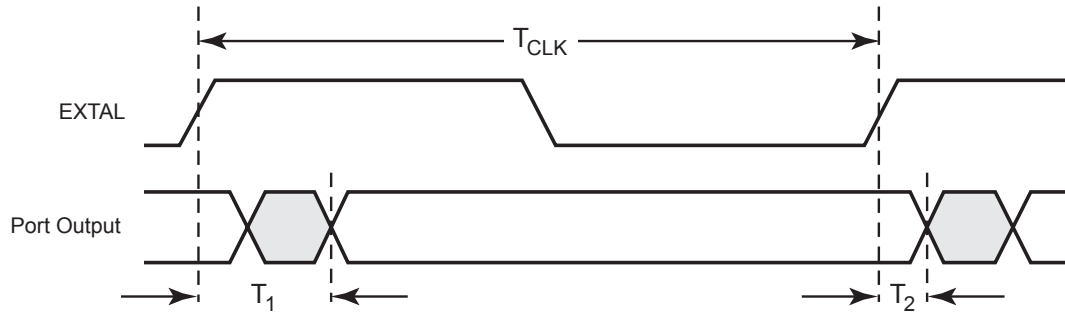


Figure 47. GPIO Port Output Timing

Table 119. GPIO Port Output Timing

Parameter	Description	Delay (ns)	
		Min	Max
T ₁	Clock Rise to Port Output Valid Delay	—	8.9
T ₂	Clock Rise to Port Output Hold Time	1.8	—

External Bus Acknowledge Timing

[Table 120](#) provides bus acknowledge timing details.

Table 120. Bus Acknowledge Timing

Parameter	Description	Delay (ns)	
		Min	Max
T ₁	Clock Rise to $\overline{\text{BUSACKN}}$ Assertion Delay	—	6.5
T ₂	Clock Rise to $\overline{\text{BUSACKN}}$ Deassertion Delay	2.3	—

External System Clock Driver Timing

[Table 121](#) provides timing information for the PHI pin. The PHI pin allows external peripherals to synchronize with the internal system clock driver on the eZ80190 device.

Table 121. PHI System Clock Timing

Parameter	Description	Delay (ns)	
		Min	Max
T ₁	Clock Rise to PHI Rise	1.8	4.0
T ₂	Clock Fall to PHI Fall	2.0	4.8

Packaging

Figure 48 illustrates the 100-pin LQFP (also called the VQFP) package for the eZ80190 device.

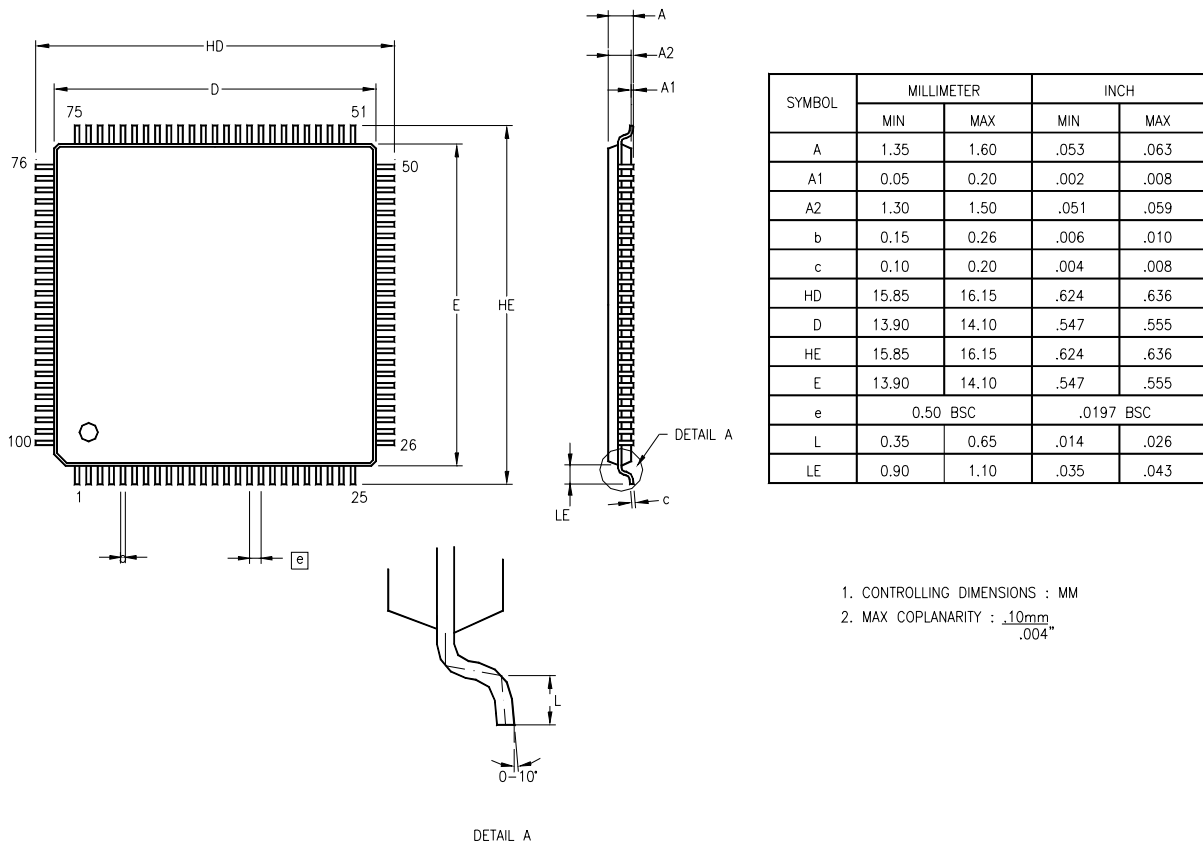


Figure 48. 100-Pin LQFP Package

Ordering Information

Table 122 provides a part number, a product specification index code, and a brief description of each eZ80190 part.

Table 122. Ordering Information

Part	PSI	Description
eZ80190	eZ80190AZ050SC	100-pin LQFP, 50MHz, Standard Temperature
	eZ80190AZ050EC	100-pin LQFP, 50MHz, Extended Temperature
eZ80190 Development Kit	eZ8019000100ZCO	Complete Development Kit

Navigate your browser to ZiLOG's website to order the eZ80190 device. Or, contact your local [ZiLOG Sales Office](#). ZiLOG provides additional assistance on its [Customer Service](#) page, and is also here to help with [Technical Support](#) issues.

For ZiLOG's valuable [software development tools](#) and [downloadable software](#), visit the [ZiLOG website](#). Download the latest release of [ZiLOG Developer Studio!](#)

Part Number Description

ZiLOG part numbers consist of a number of components, as indicated in the following examples:

ZiLOG Base Products	
eZ80 [®]	eZ80 [®] CPU ZiLOG prefix
190	Product Number
AZ	Package
050	Speed
S or E	Temperature
C	Environmental Flow

Package	AZ = LQFP (also called the VQFP)
Speed	050 = 50 MHz
Standard Temperature	S = 0°C to +70°C
Extended Temperature	E = -40°C to +105°C
Environmental Flow	C = Plastic Standard

Example. Part number eZ80190AZ050SC is an eZ80[®] CPU product in an LQFP package, operating with a 50-MHz external clock frequency over a 0°C to +70°C temperature range, and built using the Plastic Standard environmental flow.



Document Information

Document Number Description

The Document Control Number that appears in the footer on each page of this document contains unique identifying attributes, as indicated in the following table:

PS	Product Specification
0066	Unique Document Number
10	Revision Number
0703	Month and Year Published

Index

Numerics

100-pin LQFP package 4, 194
 16-bit divisor count 62–63
 16-bit downcounter 31, 61
 16-bit reload register 31
 16-bit start value 33
 16-MB linear addressing 30
 24-bit address bus 22
 24-bit address mode 30
 4-bit clock prescaler 31

A

Absolute Maximum Ratings 178
 AC Characteristics 184
 ACK—see Acknowledge
 ACK bit 100
 Acknowledge 91–92, 96–97, 99–100, 102–103, 105, 107–108
 I²C 91
 ADDR0 6
 ADDR1 6
 ADDR2 6
 ADDR3 6
 ADDR4 6
 ADDR5 6
 ADDR6 7
 ADDR7 7
 ADDR8 7
 ADDR9 7
 ADDR10 7
 ADDR11 8
 ADDR12 8
 ADDR13 8
 ADDR14 8
 ADDR15 8
 ADDR16 9
 ADDR17 9
 ADDR18 9
 ADDR19 9

ADDR20 9
 ADDR21 9
 ADDR22 10
 ADDR23 10
 address bus 6–10, 52, 54, 55, 136
 24-bit 22
 address match 52, 56, 149, 153
 ZDI Registers 154–158
 Addressing 102
 ADL MEMORY mode 52, 137–138, 155, 160, 165
 bit 137–138
 ADL Mode—see ADL MEMORY mode
 alternate-function I/O 45, 60
 Alternatives to OTI2R and INI2R 115
 AND connection 93
 Arbitration 95–100, 101, 104, 107–108
 Architectural Overview 1
 Arithmetic Instructions 166
 asynchronous communications protocol 65–66
 bits 67
 Asynchronous Receiver/Transmitter 60
 asynchronous reception protocol 66
 asynchronous serial data 14, 17
 asynchronous transmission protocol 66
 auto-address increment function 161
 automatic reload 35–38

B

Baud Rate Generator 61
 Functional Description 61
 output 61
 bidirectional serial protocol 147
 BI—see Break Indication 78
 bit generation and detection, parity 65
 bit generation and detection, start 65
 bit generation and detection, stop 65
 Bit Manipulation Instructions 166
 block data transfer 139



- Block Diagram 2
 - Block Transfer and Compare Instructions 166
 - Break Indication 68, 78
 - break signal 67, 75
 - BRG—see Baud Rate Generator
 - BRG clock 67
 - divisor ratio 61, 63
 - BRG counter 61–63
 - BRG Divisor Latch 62–63
 - BRG Divisor Latch registers 61
 - High Byte 63
 - Low Byte 62
 - BRG divisor value 61–64
 - BRG output frequency 61
 - BRGx 61
 - BRGx_DLR_H 61–63
 - BRGx_DLR_H register 72
 - BRGx_DLR_L 61–63
 - BRGx_DLR_L register 62, 71
 - BURST mode 139–140, 144
 - bus acknowledge 20
 - bus arbitration 90, 94
 - Bus Arbitration Overview 90
 - Bus Clock Speed 110
 - Bus Enable bit 105–106
 - bus request 20–21, 139
 - BUSACK—see bus acknowledge
 - BUSREQ—see bus request
 - Byte Format 91
 - byte transfer 90–91, 95
 - cycle-steal 141
- C**
- C register 114
 - CALC bank 112, 114–118, 121–122, 125, 134, 135
 - CALC_STAT field 115
 - CGE bit 101
 - Change Log 196
 - Characteristics, Electrical
 - Absolute Maximum Ratings 178
 - Chip Select Registers 54
 - Chip Select signal 50, 54–55
 - Chip Select signals, external 58
 - Chip Select x Lower Bound Register 54
 - Chip Select x Upper Bound Register 55
 - Chip Select/Wait State Generator block 6–10
 - Chip Select/Wait State Generator, Register Map 24–25
 - Chip Selects and Wait States 49
 - Chip Selects, external I/O 22
 - Chip Selects, I/O 49, 52, 54–55
 - Chip Selects, Memory 49
 - Clear to Send 15, 18, 80
 - Delta Status Change of 80
 - clock divider 34–35, 83, 109
 - clock divider ratio 32
 - clock frequency 32
 - 16X 69
 - 50-MHz external 195
 - eZ80[®] CPU 147
 - clock generator 60, 82
 - clock period 45, 46, 90
 - clock prescaler, 4-bit 31
 - clock source 61
 - Clock Synchronization 93
 - for Handshake 95
 - Clocking Overview 90
 - CONTINUOUS mode 31, 33–35, 37–38
 - control register values 50, 115
 - Control Transfers 69
 - CPHA—see SPI Clock Phase 83–84, 86–87
 - CPOL—see SPI Clock Polarity 83–85, 87
 - Crystal Oscillator 177
 - CS_EN 49, 52, 56
 - CS_IO 49, 52, 54, 56
 - CS0 5
 - CS1 5
 - CS2 5
 - CS3 5
 - CTS—see Clear to Send 77, 80
 - CTS0 18
 - CTS1 15
 - current count value 34, 36
 - Customer Feedback Form 210
 - Customer Information 210
 - CYCLE-STEAL mode 139–141, 144

D

- DATA bank 112, 114–118, 121–122, 125, 134–135
- data bus 10, 57, 111
- Data Carrier Detect 16, 19, 77, 80
 - Delta Status Change of 80
- Data Ready 79
- data ready interrupt, receiver 68
- data ready logic, receiver 67
- Data Set Ready 16, 19, 80
 - Delta Status Change of 80
- Data Terminal Ready 15, 18, 77
- Data Transfers 69
- Data Validity 91
- data_stat field 115
- DATA0 10
- DATA1 10
- DATA2 10
- DATA3 10
- DATA4 11
- DATA5 11
- DATA6 11
- DATA7 11
- DC Characteristics 179
- DCD—see Data Carrier Detect
- DCD0 19
- DCD1 16
- DCTS—see Clear to Send, Delta Status
 - Change of 80
- DDCD—see Data Carrier Detect, Delta Status
 - Change of 80
- DDSR—see Data Set Ready, Delta Status
 - Change of 80
- debugging 146
- Defining A New Calculation As READY 114
- Defining The DATA Bank As EMPTY 114
- Direct Memory Access 139
- divisor count, 16-bit 62–63
- DMA—see Direct Memory Access
- DMA Channel Priorities 140
- DMA Control Registers 141
- DMA controller 139–141, 144
- DMA controllers, internal 21
- DMA Controllers, Register Map 28–29
- DMA Interrupts 141
- DMA Programming 139
- DMA Transfer Modes 140
- Document Information 196
- Document Number Description 196
- downcounter 36
 - 16-bit 31, 61
- DR—see Data Ready 67, 79
- DR bit 44
- DSP operations 118
- DSR—see Data Set Ready 77, 80
- DSR0 19
- DSR1 16
- DTR—see Data Terminal Ready 77
- DTR0 18
- DTR1 15
- dual-edge-triggered interrupt mode 45, 47
- dual-port MACC RAM 57, 111, 122

E

- edge-detected interrupt 47
- edge-selectable interrupt 47
- edge-triggered interrupt mode 45
- Edge-Triggered Interrupts 47
- EI—see Interrupt Enable
- EI, Op Code Map 170
- Electrical Characteristics 178
- ENAB—see Bus Enable bit
- Enabling 40
 - Disabling The WDT 40
- Ending Program Counter 137–138
- end-of-count value, PRT 32–35
- Environmental Flow 195
- ERR bit 69, 78
- Exchange Instructions 167
- Extended Temperature 195
- External I/O Read Timing 187
- External I/O Write Timing 188
- External Memory Read Timing 184
- External Memory Write Timing 186
- external NMI signal 11
- external pull-down resistor 45



eZ80[®] CPU Core 30
 Features 30
 Overview 30
 eZ80[®] CPU Instruction Set 30, 166

F

Fall Time, system clock 184
 FAST mode 90, 110
 Features 1
 FE—see Framing Error
 FIFO mode 66, 68
 four-wire interface 82
 framing error 67, 72, 78–79
 detection 65
 full-duplex transmission 82, 84

G

General Call Address 90, 101, 103, 105, 108
 General-Purpose Input/Output 43
 control register bits 43
 Control Registers 47
 Interrupts 46
 Mode 1 44
 Mode 2 44, 45
 Mode 3 44
 Mode 4 44
 Mode 5 45
 Mode 6 45, 47
 Mode 7 45
 Mode 8 45
 Mode 9 45, 47
 mode control registers 43
 Operation 43
 Overview 43
 Port Sample Timing 192
 Ports 24, 43
 Ports, Register Map 23
 GND 2
 GPIO—see General-Purpose Input/Output

H

HALT 11
 hand-shake capability 65
 high-impedance output 44–45

I

I/O Chip Select Operation 52
 I/O Chip Select Precaution 52
 I/O Chip Selects 49, 52, 54–55
 external 22
 I/O space 6–10, 12, 49, 52
 eZ80[®] CPU 111
 eZ80[®] Webserver 115
 I²C—see Inter-Integrated Circuit serial bus
 I²C Acknowledge 91
 bit 100, 105
 I²C bus 90
 protocol 91
 I²C Clock Control Register 108
 I²C Control Register 104
 I²C Data Register 104
 I²C Extended Slave Address Register 103
 I²C General Characteristics 90
 I²C Registers 102
 I²C Serial Clock 14, 90–95, 108
 I²C Serial Data 90–92, 94, 101
 I²C Serial I/O Interface 90
 I²C Slave Address Register 102
 I²C Software Reset Register 110
 I²C Status Register 107
 I²Cx 96
 I²Cx_CTL register 90, 95, 98, 100–102, 104,
 107–108
 I²Cx_DR register 95, 98, 100–101, 104–105
 I²Cx_SAR byte 102–103
 I²Cx_SR register 95–102, 107
 I²Cx_xSAR register 103
 IDLE state 85, 90, 96–101, 105, 108
 SCK 84
 IEN—see Interrupt Enable bit
 IFLG bit 90, 95, 98, 100–102, 105, 107–108
 IM 0, Op Code Map 173
 IM 1, Op Code Map 173



IM 2, Op Code Map 173
 IN_SHIFT and OUT_SHIFT 118
 IN_SHIFT Function 119
 in-circuit emulation 146
 INI2R block 113–114
 INI2R instruction 113–114, 118, 122
 initial count value 32, 42
 Input/Output Instructions 167
 Input/Output Request 5, 12
 INSTRD—see Instruction READ
 Instruction READ 5, 12, 53
 Instruction Store 4
 0 Registers 160
 Inter-Integrated Circuit serial bus 60
 internal DMA controllers 21
 internal pull-up 12, 44
 internal RAM 50, 58
 Interrupt Controller 136
 Interrupt Enable 11, 129
 interrupt enable bit 68, 104–106, 141
 interrupt enable flag 34
 Interrupt Enable Flag 1 164
 Interrupt Enable Register, UART0 25
 Interrupt Enable Register, UART1 26
 Interrupt Enable Register, UARTx 72
 Interrupt Enable, PRT 33, 34
 interrupt input 12–21
 interrupt mode, single-edge-triggered 45, 47
 interrupt mode, dual edge-triggered 45, 47
 interrupt mode, level-sensitive 45
 interrupt service request 34
 DMA 144
 Interrupt Service Routine 136–138
 interrupt, edge-detected 47
 interrupt, low-level 46
 IORQ—see Input/Output Request
 IRQ_EN 34, 35, 86–87
 ISR—see Interrupt Service Routine

L

least significant bit 36, 38, 67, 95–96, 98, 101,
 107, 119, 131, 147

least significant byte 119–122, 132, 137–138,
 158
 left-shift 119
 level-sensitive interrupt 45, 47
 level-triggered interrupts 46
 Line break detection and generation 65
 line status error 68
 line status interrupt 68, 70, 72
 Load Instructions 167
 Logical Instructions 168
 LOOP-BACK mode 77, 80
 low-level interrupt 46
 LSB—see least significant byte
 lsb—see least significant bit

M

MACC—see Multiply-Accumulator
 MACC Accumulator Byte 0 Register 132
 MACC Accumulator Byte 1 Register 132
 MACC Accumulator Byte 2 Register 133
 MACC Accumulator Byte 3 Register 133
 MACC Accumulator Byte 4 Register 134
 MACC Control Register 129
 MACC Dual Bank Operation 115
 MACC Length Register 127
 MACC Overview 111
 MACC RAM 122
 Address Indexing 122
 dual-port 57
 MACC Status Register 134
 MACC x DATA Ending Address Register 126
 MACC x DATA Reload Address Register 127
 MACC y DATA Ending Address Register 128
 MACC y DATA Reload Address Register 129
 MACC_AC0 27, 114, 119–121, 132
 MACC_AC1 28, 114, 119–121, 132
 MACC_AC2 28, 114, 119–121, 133
 MACC_AC3 28, 114, 119–121, 133
 MACC_AC4 28, 114, 116–121, 134
 MACC_CTL 27, 114, 116–120, 121, 129
 MACC_LENGTH 27, 115, 121, 123
 MACC_STAT 28, 114–115, 117, 121, 134
 MACC_xEND 27, 115, 121, 123, 126–127



- MACC_xRELOAD 27, 115, 121, 123, 127
 - MACC_xSTART 27, 115, 121, 123, 125
 - MACC_yEND 27, 115, 121, 123, 128–129
 - MACC_yRELOAD 27, 115, 121, 123, 129
 - MACC_ySTART 27, 115, 121, 123, 128
 - maskable interrupt 11, 164
 - Master In Slave Out 14, 17, 82
 - MASTER mode 90, 100–101, 105, 107–110
 - start bit 95–100, 102, 105–106, 108
 - START condition 106
 - START TRANSMIT condition 106
 - stop bit 98–100, 102, 105–106, 108
 - STOP condition 106
 - STOP TRANSMIT condition 106
 - MASTER mode, SPI 85
 - Master Out Slave In 14, 17, 82–84, 86
 - Master Receive 90, 98
 - Status Codes for Data Bytes, I²C 100
 - Status Codes, I²C 98
 - master receiver 92, 100
 - MASTER TRANSMIT mode 90, 95, 100
 - Status Codes for Data Bytes, I²C 97
 - Status Codes, I²C 96
 - master transmitter 101
 - MASTER_EN 86–87
 - MBASE 137, 155, 159, 161, 165
 - offset value 52
 - Memory and I/O Chip Selects 49
 - Memory Chip Select Example 50
 - Memory Chip Select Operation 49
 - Memory Chip Select Priority 50
 - Memory Chip Selects 49
 - Memory mode suffixes 160
 - Memory Request 5
 - memory space 6–10, 49, 52
 - eZ80[®] CPU 111
 - MISO—see Master In Slave Out
 - MISO0 17
 - MISO1 14
 - Mode Fault 86
 - modem 67
 - control logic 67
 - control output 77
 - modem status 68, 70, 73, 77
 - input ports 77
 - inputs 67
 - Modem Status Interrupt, UART 69
 - Modem Status Register, UART 26–27, 80
 - modem status signal 15–16, 18–19
 - MODF—see Mode Fault 83, 86, 88
 - Module Reset 69
 - MOSI—see Master Out Slave In
 - MOSI0 17
 - MOSI1 14
 - most significant bit 37–38, 67, 82, 83, 91–92, 104, 107, 120, 130, 147, 151
 - most significant byte 37–38, 114, 119–122, 134
 - MREQ—see Memory Request
 - MSB—see most significant byte
 - msb—see most significant bit
 - multimaster conflict 86, 88
 - Multiply-Accumulator 57, 111, 113, 114, 115, 118, 122, 134
 - Basic Operation 112
 - Control And Data Registers 125
 - RAM 58
 - Multiply-Accumulator, Register Map 27–28
- N**
- NACK—see Not Acknowledge
 - NMI—see Nonmaskable Interrupt
 - NMI input 11
 - NMI signal 11
 - NMI_OUT 40–41
 - NO ERROR condition 70
 - NOISE bit 119, 129, 131
 - NOISE field 119
 - NOISE value 119
 - Nonmaskable Interrupt 11, 30, 39–41, 168
 - Not Acknowledge 90, 92, 96–101, 105, 108
- O**
- OE—see overrun error
 - On-chip peripherals



- on-chip peripherals 22, 52
 - On-chip RAM 49, 57–59
 - Control, Register Map 25
 - Op-Code Map 170
 - open-drain I/O 12, 44
 - open-drain output 12–21, 44, 90
 - open-source I/O 44
 - open-source mode 45
 - open-source output 12–21
 - Operating Modes 95
 - Operation Of The eZ80190 Webserver During
 - ZDI Breakpoints 152
 - Ordering Information 195
 - Oscillator Input 19
 - Oscillator Output 19
 - OTI2R block 113–114
 - OTI2R instruction 114, 116–117, 121
 - OUT_SHIFT Function 120
 - OUT1—see modem control output 77, 80
 - OUT2—see modem control output 77, 80
 - overrun condition 65, 68, 89
 - overrun error 67, 72, 79
- P**
- PA0 20
 - PA1 20
 - PA2 20
 - PA3 20
 - PA4 20
 - PA5 20
 - PA6 21
 - PA7 21
 - Packaging 194
 - parity bit 67, 72, 75, 79
 - generation and detection 65
 - parity checker 67
 - parity error 67, 75, 79
 - parity generator 66, 67
 - Part Number Description 195
 - PB0 12
 - PB1 12
 - PB2 12
 - PB3 13
 - PB4 13
 - PB5 13
 - PB6 13
 - PB7 13
 - PC0 14
 - PC1 14
 - PC2 15
 - PC3 15
 - PC4 15
 - PC5 16
 - PC6 16
 - PC7 16
 - PD0 17
 - PD1 17
 - PD2 18
 - PD3 18
 - PD4 18
 - PD5 19
 - PD6 19
 - PD7 19
 - PEN—see parity bit
 - PE—see parity error 79, 170
 - PHI—see system clock
 - Pin Description 4
 - Poll Mode Transfers 70
 - POP, Op Code Map 170, 172, 174
 - port pin value 45, 46
 - Port x Alternate Register 1 48
 - Port x Alternate Register 2 48
 - Port x Data Direction Registers 48
 - Port x Data Registers 47
 - Power connections 2
 - Problem Description or Suggestion 210
 - Processor Control Instructions 168
 - Product Information 210
 - Program Control Instructions 168
 - Programmable Reload Counter/Timers 22
 - Programmable Reload Timer duration 32
 - Programmable Reload Timer Operation 32
 - Programmable Reload Timers 31, 153
 - Programmable Reload Timers Overview 31
 - protocol, asynchronous communications 65–67
 - protocol, bidirectional serial 147

protocol, I²C bus 91
 protocol, reception 66
 PRT_EN bit 32
 PRT_IRQ bit 34
 PRT_IRQ—see timer interrupt flag
 pull-down resistor, external 45
 pull-up resistor, external 44, 90
 pull-up resistor, internal 12, 44
 PUSH, Op Code Map 170, 172, 174

R

RAM Address Upper Byte Register 57–58
 RAM Control Registers 58
 Random Access Memory 57
 RC rise times 11
 RD—see READ instruction
 READ instruction 5
 Reading the Current Count Value 34
 receive data ready condition 70
 receive FIFO 66, 68, 71, 74
 pointer 74
 trigger level 74
 receiver data ready interrupt event 68
 receiver data ready logic 67
 receiver interrupt 68
 Receiver Interrupt, UART 68
 receiver line error 67
 Receiver overrun detection 65
 receiver shift register 67, 79
 Recommended Operation 121
 Recommended Usage of the Baud Rate Generator 61
 Register Map 22
 Reload Register 22–23, 27
 reload register, 16-bit 31
 Reload Value 32
 Reload Value, PRT 33–34
 Reload Value, timer 32
 reload value, timer 35, 37–38
 Request to Send 15, 18, 77
 RESET 12, 168, 170
 Or NMI Generation 40
 Reset States 50

Resetting the I²C Registers 102
 RETI—see Return from Interrupt
 RETN—see Return from Nonmaskable Interrupt
 Retrieve A Calculation 122
 Return from Interrupt 137, 168, 173
 Return from Nonmaskable Interrupt 168, 173
 Return Information 210
 R10 19
 R11 16
 right-shift 120, 130
 Ring Indicator 16, 19, 67, 77, 80
 Trailing Edge Change on 80
 rise time, RC 11
 Rise Time, system clock 184
 RI—see Ring Indicator
 Rotate and Shift Instructions 169
 RST—see RESET
 RST_EN 36–38
 RST_FLAG 40
 RTS—see Request to Send
 RTS0 18
 RTS1 15
 RXD input signal 70–71
 RXD input start bit 67
 RXD signal 67
 RxD0 17
 RxD1 14

S

SARx_CTL 142
 Schmitt trigger 11–12
 SCK—see SPI Serial Clock
 SCK0 18
 SCK1 15
 SCL—see I²C Serial Clock
 SCL0 17
 SCL1 14
 scratch pad registers 81
 SDA—see I²C Serial Data
 SDA0 17
 SDA1 14
 selectable taps 31



- serial bus 89
 - serial bus, I²C 60
 - serial bus, SPI 88
 - Serial Clock 83, 90
 - Serial Clock, I²C 14, 17, 90–95, 108
 - Serial Clock, SPI 15, 18, 82–83
 - serial communication controllers 60–62
 - serial data 82–83, 90
 - serial data, asynchronous 14, 17
 - Serial Data, I²C 14, 17, 90–92, 94, 101
 - Serial Peripheral Interface 82
 - serial transmit/receive 66
 - Setting Timer Duration 32
 - Setting Up A New Calculation 121
 - Signal Direction 5
 - SINGLE PASS Mode 31–32, 34–35
 - single-edge-triggered interrupt mode 45, 47
 - SLAVE mode 82, 86, 90, 100, 102–103, 105, 108
 - SLAVE RECEIVE mode 90, 94, 101
 - slave receiver 92, 95
 - Slave Select 15, 18, 82–84, 86–87
 - SLAVE TRANSMIT mode 90, 100, 105
 - slave transmitter 92, 98
 - Sleep instruction 166, 168, 173
 - SLP—see Sleep instruction
 - Software Control of the MACC 113
 - SPI—see Serial Peripheral Interface
 - SPI block 82
 - SPI Clock Phase 83–84, 86–87
 - SPI Clock Polarity 83–85, 87
 - SPI Control Register 87
 - SPI Flags 85–86, 89
 - SPI Functional Description 84
 - SPI interrupt 86
 - SPI MASTER mode 85
 - SPI Receive Buffer Register 86, 89
 - SPI Registers 86
 - SPI Serial Clock 15, 18, 82–83
 - SPI Signals 82
 - SPI SLAVE mode 14, 17, 83, 86, 89
 - SPI Status Register 86, 88
 - SPI Transmit Shift Register 86, 88
 - SPI_EN 86–87
 - SPIF—see SPI Flags
 - SPIx_CTL 85–86
 - SPIx_RBR 87, 89
 - SPIx_SR 83, 85–86
 - SPIx_TSR 86–89
 - SPR—see scratch pad registers
 - SS—see Slave Select
 - SS0 18
 - SS1 15
 - STA bit—see MASTER mode start bit
 - standard load 184
 - standard mode 90
 - Standard Temperature 195
 - Standard, Plastic 195
 - START and STOP Conditions 91
 - START bit, ZDI 147
 - START condition 91–92, 94–102, 105–110
 - START condition, ZDI 148
 - START signal, ZDI 148–149
 - Starting Program Counter 137–138
 - STOP condition 91–92, 94–95, 98, 100–101, 105, 108–110
 - STOP condition, Master Mode 106
 - STOP TRANSMIT condition, Master Mode 106
 - STP bit—see MASTER mode stop bit
 - supply ground 44–45
 - supply voltage 44, 90, 178–179
 - SYNC_RESET 66
 - system clock 45–46, 61, 152, 177, 192
 - Cycle Time 184
 - cycles 12, 40, 53
 - fall time 184
 - Frequency 32
 - High Time 184
 - Low Time 184
 - rise time 184
 - system clock, eZ80[®] Webserver 109–110, 177
 - System Clock, internal 21
 - system clock, primary 61
 - system reset 40, 70
- T**
- TEMT 78

TERI—see Ring Indicator, Trailing Edge
 Change on
 TEST mode 16
 THRE bit—see Transmit Holding Register bit
 time-out period 32
 Selection, WDT 40
 time-out period, PRT 32, 34
 time-out period, WDT 39–40
 Timer Control Register 35
 Timer Data High Byte Register 36
 Timer Data Low Byte Register 36
 timer interrupt flag 34–35
 Timer Interrupts 34
 Timer Reload High Byte Register 38
 Timer Reload Low Byte Register 37
 timer reload value 35, 37–38
 Transferring Data 91
 transmit FIFO 71–72, 74–75
 Transmit Holding Register bit 67, 75, 78
 Transmit Shift Register 66–67, 75, 78
 Transmit Shift Register, SPI 25, 87–89
 trigger-level detection logic 66
 TXD output 66–67, 75
 TXD pin 66–67, 71
 TxD0 17
 TxD1 14

U

UART—see Universal Asynchronous Receiver/ Transmitter
 UARTx_IER register 72
 UARTx_IIR register 69–70, 73–74
 UARTx_LCTL 61–63, 67, 69
 UARTx_LSR register 67–70, 75, 78–79
 UARTx_MSR register 69–70, 80
 UARTx_RBR register 67, 70, 79
 UARTx_THR register 62, 66, 68–69
 Universal Asynchronous Receiver/ Transmitter
 65
 FIFO Control Register 74
 Functional Description 66
 Functions 66
 Interrupt Enable Register 72

Interrupt Identification Register 73
 Interrupts 68
 interrupts 72
 Line Control Register 75
 Line Status Register 78
 Modem Control 67
 Modem Control Register 77
 Modem Status Interrupt 69
 Modem Status Register 80
 Receive Buffer 71
 Receive Buffer Register 71
 Receiver 67
 Receiver Interrupts 68
 Recommended Usage 69
 Registers 70
 Scratch Pad Register 81
 Transmit Holding Register 71
 Transmitter 66
 Transmitter Interrupt 68
 Universal ZiLOG Interface 1, 60, 82
 and BRG Control Registers 62
 Baud Rate Generator 61, 83
 Blocks, Register Map 25–27
 Control Registers 61–62, 83
 interface 14–19
 UZI—see Universal ZiLOG Interface

V

V_{CC} 2
 vectored interrupt function 136

W

Wait State Timing for Read Operations 190
 Wait State Timing for Write Operations 191
 Wait States 53, 56, 92, 95, 136
 Watch-Dog Timer 39
 Control Register 40
 Operation 40
 Overview 39
 Registers 40
 Reset Register 42
 Watch-Dog Timer, Register Map 23



WCOL—see write collision
 WDT time-out period 40–42
 WDT time-out RESET indicator flag 39
 WDT_CTL register 40
 WDT_EN bit 40
 WDT_PERIOD 40–41
 Webserver ID High Byte Register 162
 Webserver ID Low Byte Register 162
 Webserver ID Revision Register 163
 WR—see Write instruction 5
 WRITE bit 95–96, 101, 107–108
 write collision 85–86, 88
 Write instruction 5

X

x DATA 122–123, 125, 127
 X_{IN} 19, 177
 X_{OUT} 19, 177

Y

y DATA 122–123, 127–129

Z

Z180 CPU 30
 Z80 CPU 1, 30
 Z80 MEMORY mode 52, 137, 155, 160–161,
 164–165
 Z80 mode—see Z80 MEMORY mode
 Z80-compatible mode 30
 ZCL—see ZDI Clock
 ZDA—see ZDI Data
 ZDI—see ZiLOG Debug Interface
 ZDS—see ZiLOG Developer Studio

ZiLOG Debug Interface 12, 30, 146–147
 Address Match Registers 154
 block 146
 Block READ 152
 Block WRITE 151
 break 153, 155–157
 Break Control Register 154, 156
 BREAK mode 164
 Breakpoints 152–153
 Clock 12, 147–150, 156
 Clock and Data Conventions 147
 Data 12, 147–149, 156
 data transfer 149
 Interface 147
 Overview 146
 Read Memory Data Value Register 165
 Read Only Registers 154
 Read Operations 151
 Read Register Low, High, and Upper 164
 Read/Write Control Register 159
 Register Addressing 149
 Register Definitions 154
 registers 149
 Single-Bit Byte Separator 149
 Single-Byte READ 151
 Single-Byte WRITE 150
 START bit 147
 START condition 148
 START signal 148–149
 Status Register 164
 Write Data Registers 158
 Write Memory Register 161
 Write Only Registers 153
 Write Operations 150
 ZiLOG Developer Studio 146, 195
 ZPAKII emulator 146–147



Customer Support

If you experience any problems while operating this product, please check the ZiLOG Knowledge Base:

<http://kb.zilog.com/kb/oKBmain.asp>

If you cannot find an answer or have further questions, please see the ZiLOG Technical Support web page:

<http://support.zilog.com>